

PART NAME: KNOB SCALE: 1:1 DATE: 11/1/16 DR. BY JAM

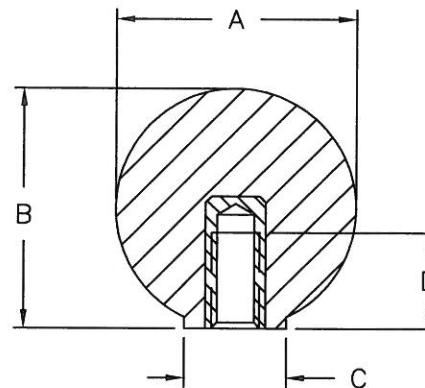


DESIGNERS & MANUFACTURERS
OF KNOBS, HANDLES, CASES &
CUSTOM PLASTIC COMPONENTS

P/N 0025BN-FJ

THIS DRAWING IS THE PROPERTY OF DAVIES MOLDING COMPANY, IS SUBMITTED SOLELY AS A DESIGN OR ENGINEERING PROJECT.
WE ACCEPT NO RESPONSIBILITY WHATSOEVER FOR THE PRACTICAL APPLICATION OF THE PIECES MADE TO THIS DESIGN.

	THREAD	A	B	C	D
0025BN	M6 X 1	32	32	13	12
0025FJ	M8 X 1.25	32	32	13	15



THREADED INTERNAL INSERT

KNOB MATERIAL: PHENOLIC
COLOR: BLACK

INSERT MATERIAL: INTERNAL INSERTS ARE BRASS,
PROJECTING STUDS ARE ZINC PLATED STEEL

TOLERANCES: UNLESS OTHERWISE SPECIFIED	DO NOT SCALE DRAWING				
	MM: X.XX ± 0.15MM X.X ± 0.4MM				
	ANG. ± 1°	CHANGES			