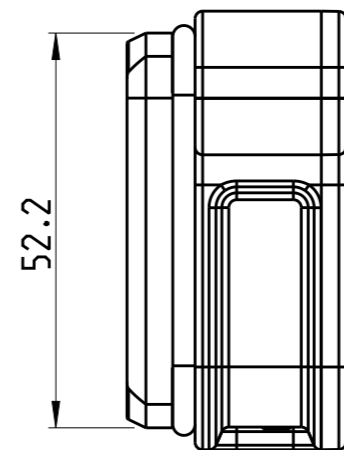
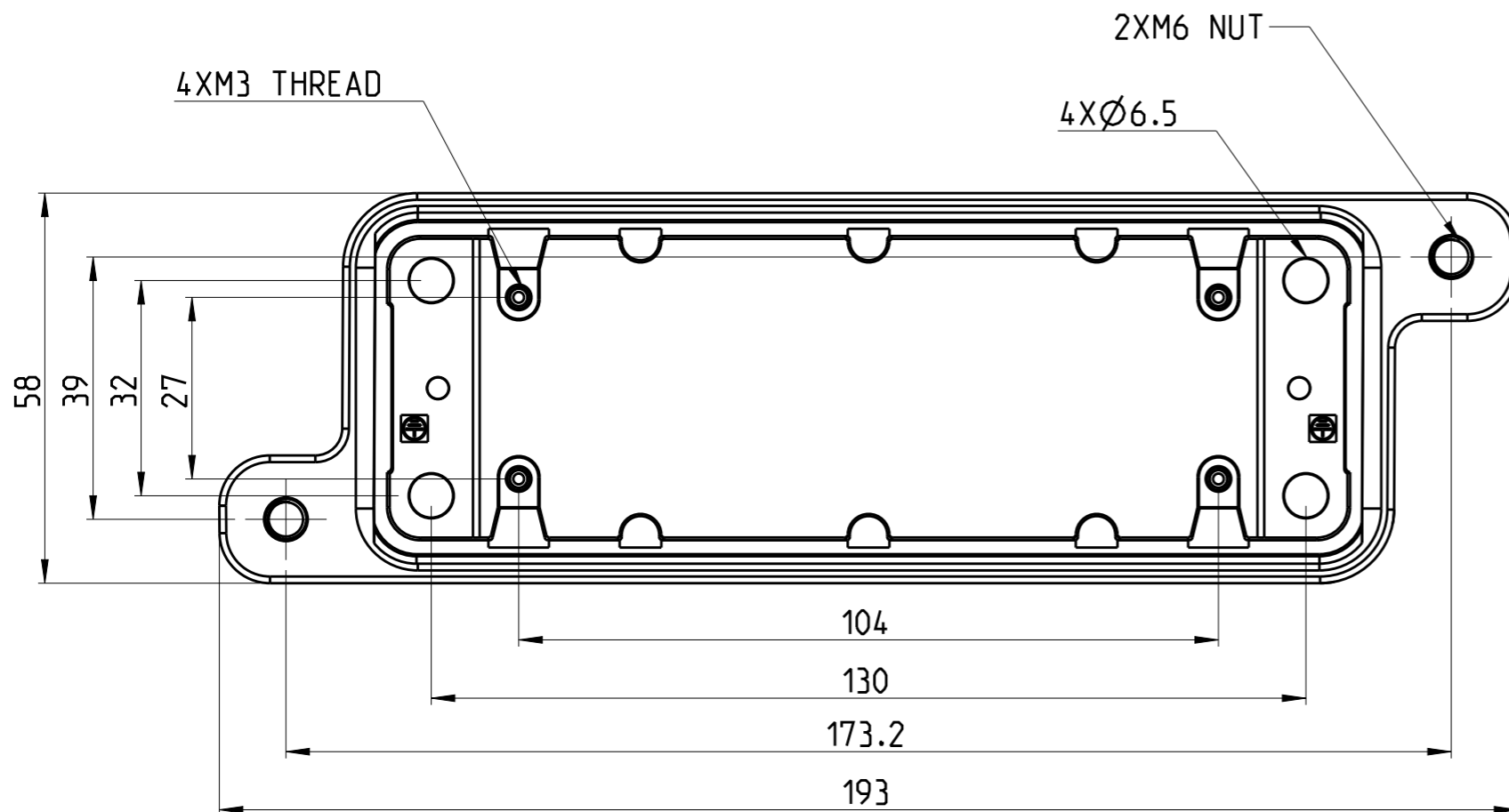


THIS DRAWING IS UNPUBLISHED. RELEASED FOR PUBLICATION 20  
 © COPYRIGHT 20 BY - ALL RIGHTS RESERVED.

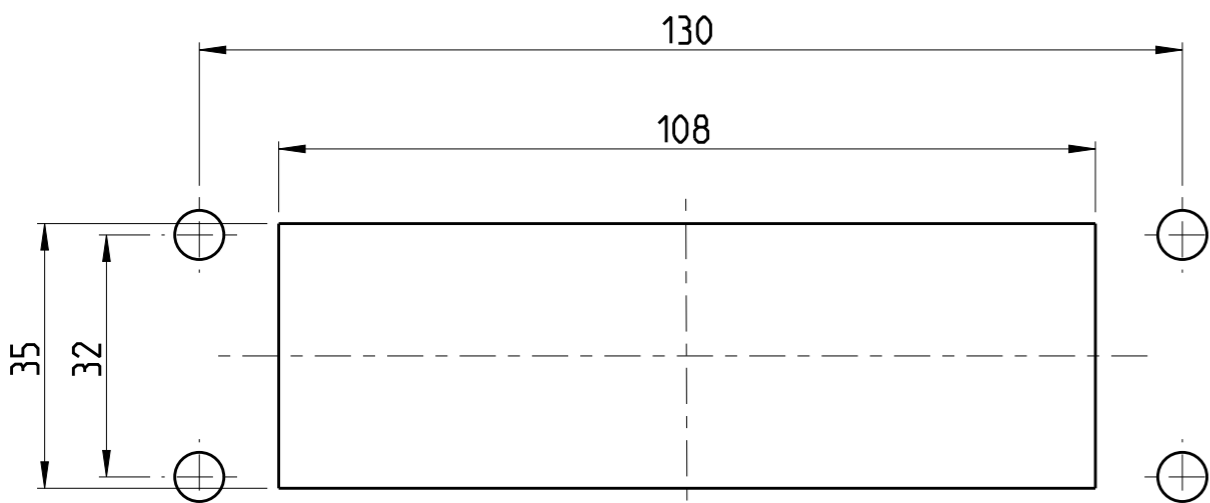
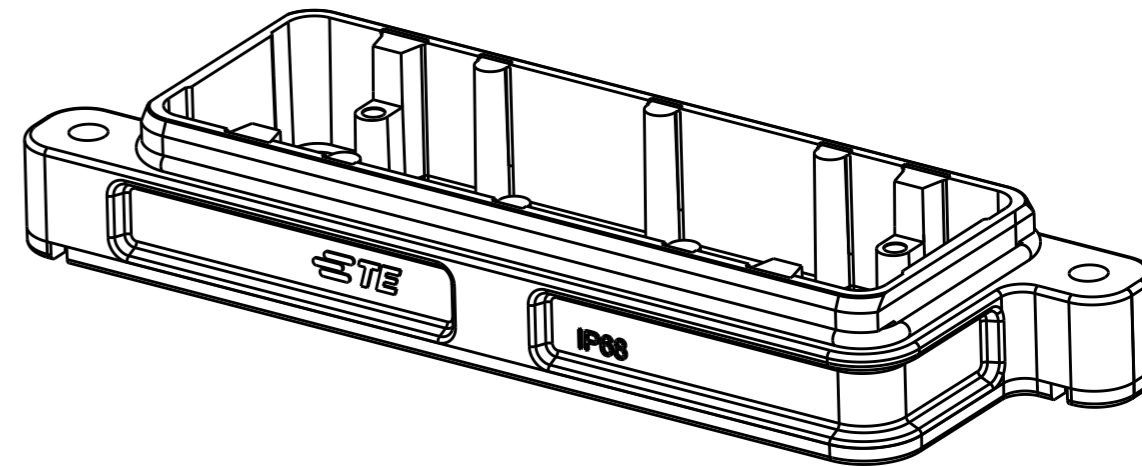
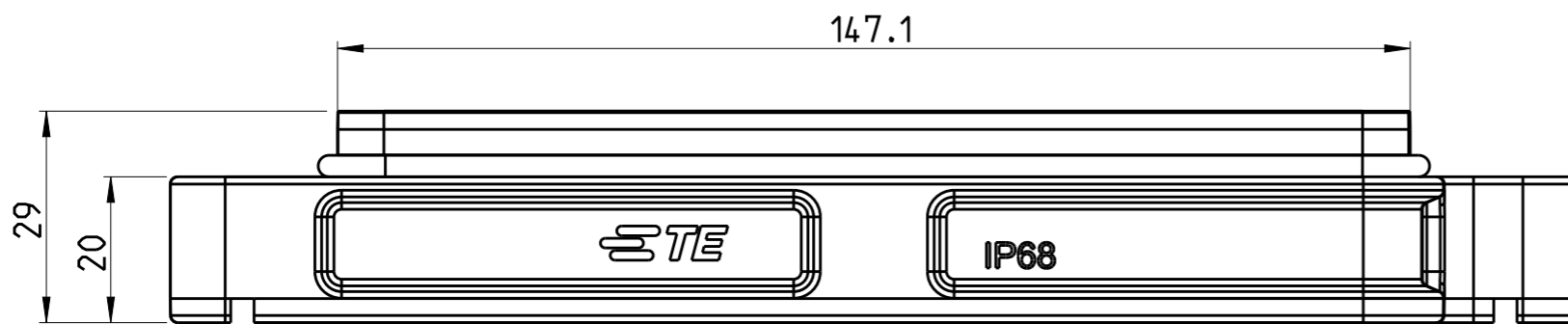
REVISIONS

P	LTR	DESCRIPTION	DATE	DWN	APVD
	A	INITIAL	26Feb2015	GY	CW





NOTES:  
 I. TECHNICAL CHARACTERISTICS:  
 HOUSING MATERIAL: DIE CAST ALUMINIUM ALLOY  
 SURFACE TREATMENT: SEE TABLE  
 OPERATION TEMPERATURE: -40°C~+125°C  
 DEGREE OF PROTECTION: IP68 (MATED)

注释  
 I. 技术参数:  
 壳体材料: 铝合金  
 表面处理: 见表格  
 工作温度: -40°C~+125°C  
 防护等级: IP68 (配合)



Panel Cut Out

T1930242000-000	POWDER COATED GRAY RAL7037	H24BPR-AG
T1930241000-000	POWDER COATED SILVERGRAY RAL7001	H24BPR-AG
T1930240000-000	POWDER COATED BLACK RAL9005	H24BPR-AG
PART NUMBER	SURFACE TREATMENT	DESCRIPTION

THIS DRAWING IS A CONTROLLED DOCUMENT.		DWN Gino.Yao 13Dec2014		 TE Connectivity		
DIMENSIONS: mm 		CHK Chris.Wang 13Dec2014				NAME H24BPR-AG
		APVD Xiang.Xu 13Dec2014				
TOLERANCES UNLESS OTHERWISE SPECIFIED:		PRODUCT SPEC 108-137014				SIZE A3
0 PLC ± 1 PLC ± 2 PLC ± 3 PLC ± 4 PLC ± ANGLES ±		APPLICATION SPEC 114-137014		CAGE CODE -		
MATERIAL -		WEIGHT -		DRAWING NO. C-T193024X000000		
FINISH -		Customer Drawing		RESTRICTED TO -		
		SCALE 1:1		SHEET 1 OF 1		
				REV A		