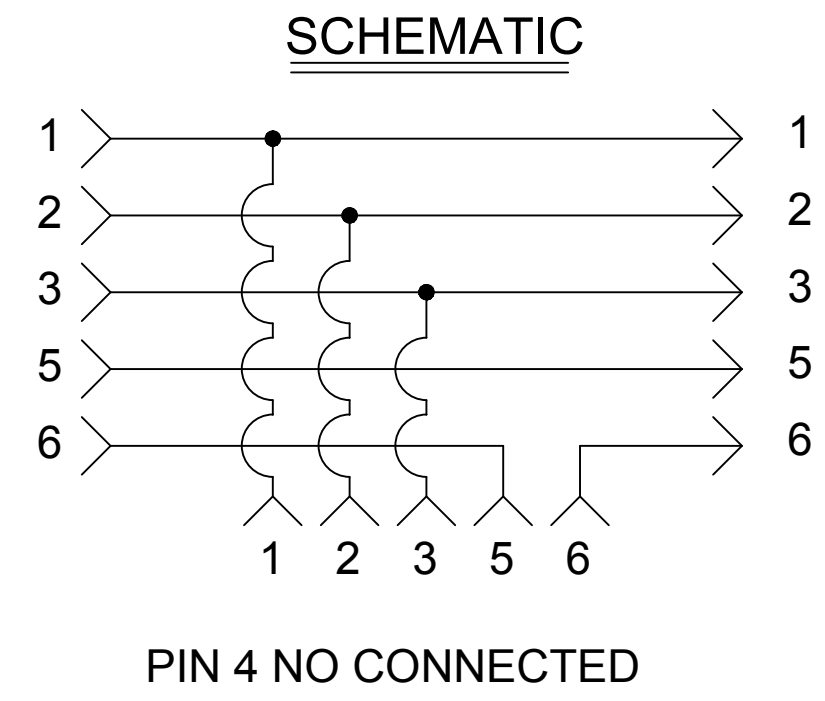
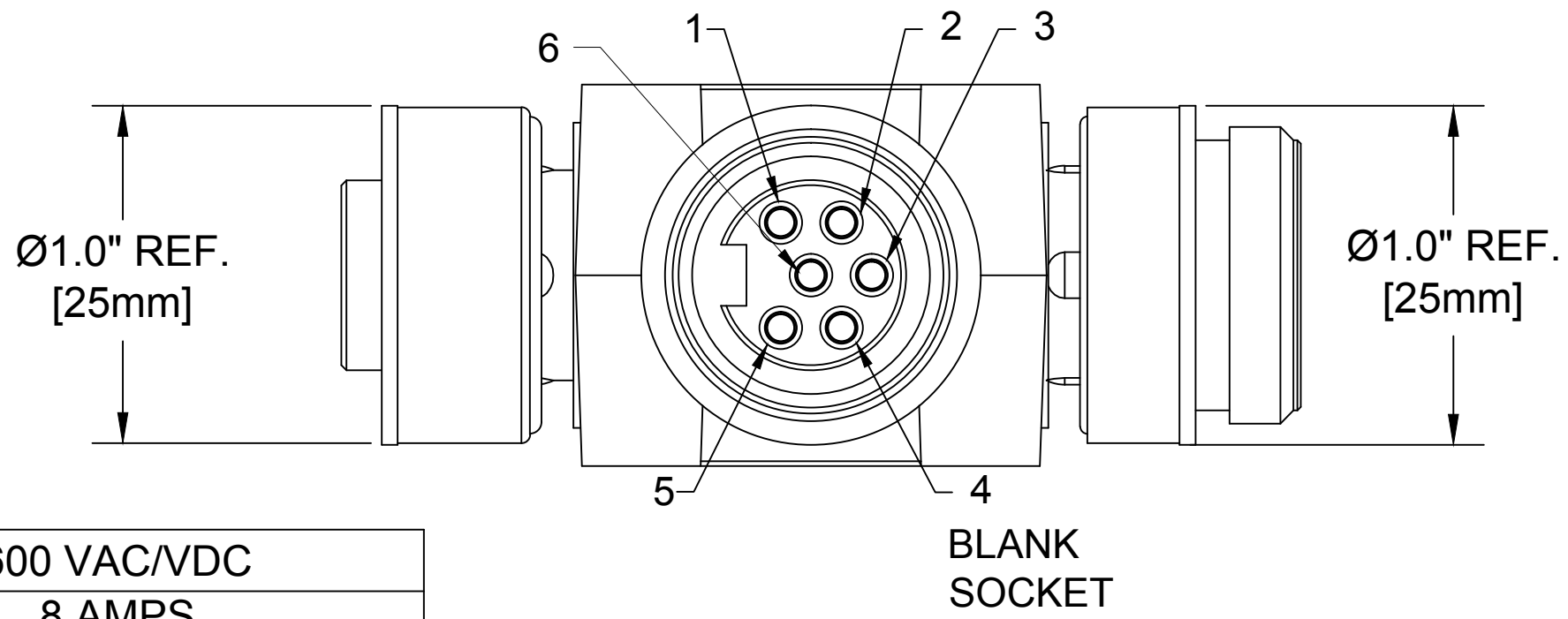
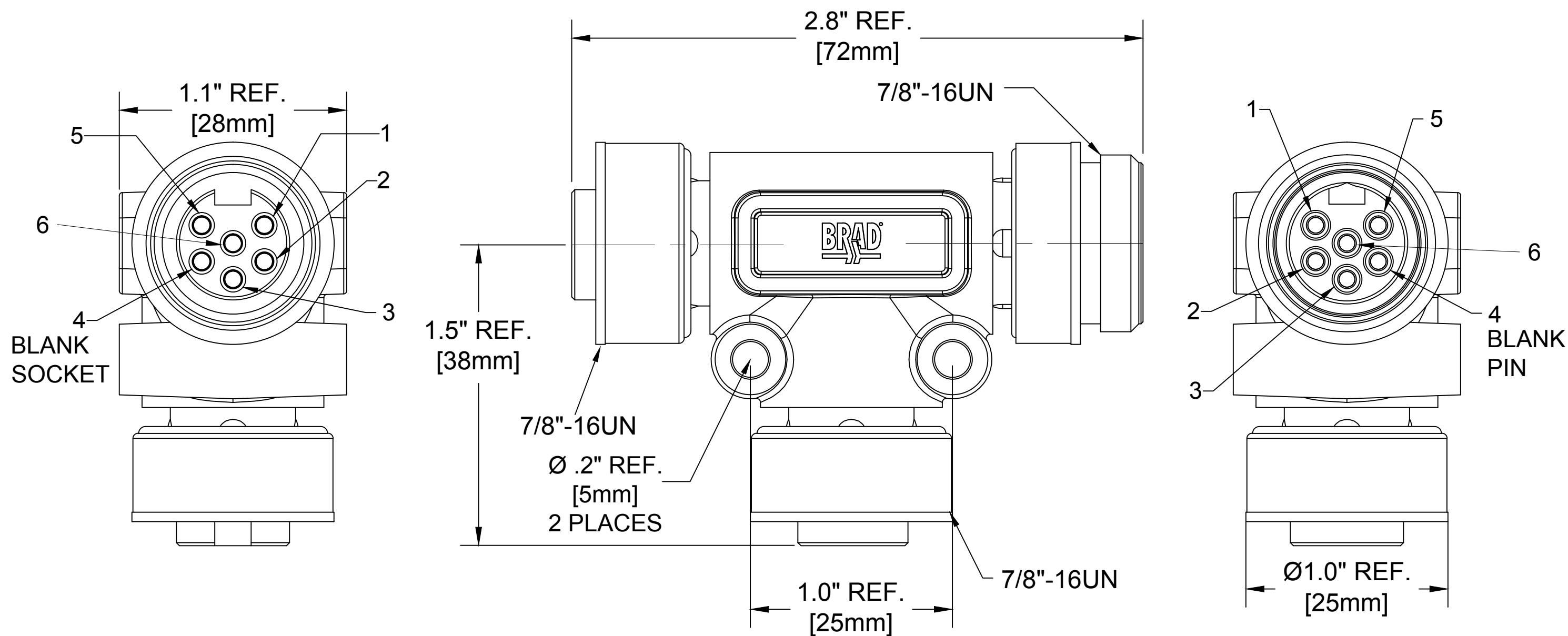


MATERIAL NUMBER

130035-0030

OLD PART NUMBER

61451-ESIN



VOLTAGE RATING	600 VAC/VDC
AMPERAGE RATING	8 AMPS
PROTECTION	IP67
OPERATING TEMPERATURE	-20°C TO 80°C

COMPONENT	MATERIAL	FINISH
INSERT	PVC	YELLOW
CONTACT SOCKET	COPPER ALLOY	GOLD OVER NICKEL
CONTACT PIN	COPPER ALLOY	GOLD OVER NICKEL
COUPLING NUT	ZINC DIE CAST	BLACK E-COATED
OVERMOLD	RITFLEX	RED

RELEASE EC NO: IFC2014-0871 DRWN: BWOODMAN2010/05/25 CH'KD: BARDEN APPR: BWOODMAN2013/11/20	QUALITY SYMBOL	GENERAL TOLERANCES (UNLESS SPECIFIED)	DIMENSION STYLE	SCALE	DESIGN UNITS	THIRD ANGLE PROJECTION														
	$\nabla=0$ $\nabla C=0$	<table border="1"> <tr> <td></td> <td>mm</td> <td>INCH</td> </tr> <tr> <td>4 PLACES</td> <td>±---</td> <td>±---</td> </tr> <tr> <td>3 PLACES</td> <td>±---</td> <td>±.005</td> </tr> <tr> <td>2 PLACES</td> <td>±0.13</td> <td>±.010</td> </tr> <tr> <td>1 PLACE</td> <td>±0.25</td> <td>±.020</td> </tr> </table>		mm	INCH		4 PLACES	±---	±---	3 PLACES	±---	±.005	2 PLACES	±0.13	±.010	1 PLACE	±0.25	±.020	IN/MM	NTS
		mm	INCH																	
	4 PLACES	±---	±---																	
	3 PLACES	±---	±.005																	
2 PLACES	±0.13	±.010																		
1 PLACE	±0.25	±.020																		
	ANGULAR ±1/2°		DRAWN BY	DATE	TITLE															
	DRAFT WHERE APPLICABLE MUST REMAIN WITHIN DIMENSIONS		BWOODMAN	2010/05/25	MINI-CHANGE 6-POLE TEE ESTOP-IN TEE WITH PIN 4 BLANK															
			CHECKED BY	DATE																
			BARDEN	2013/11/21																
			APPROVED BY	DATE																
			BWOODMAN	2013/11/20																
			MATERIAL NO.	DOCUMENT NO.	SHEET NO.															
			SEE CHART	SD-130035-012	1 OF 1															
			SIZE	THIS DRAWING CONTAINS INFORMATION THAT IS PROPRIETARY TO MOLEX INCORPORATED AND SHOULD NOT BE USED WITHOUT WRITTEN PERMISSION																
			C																	