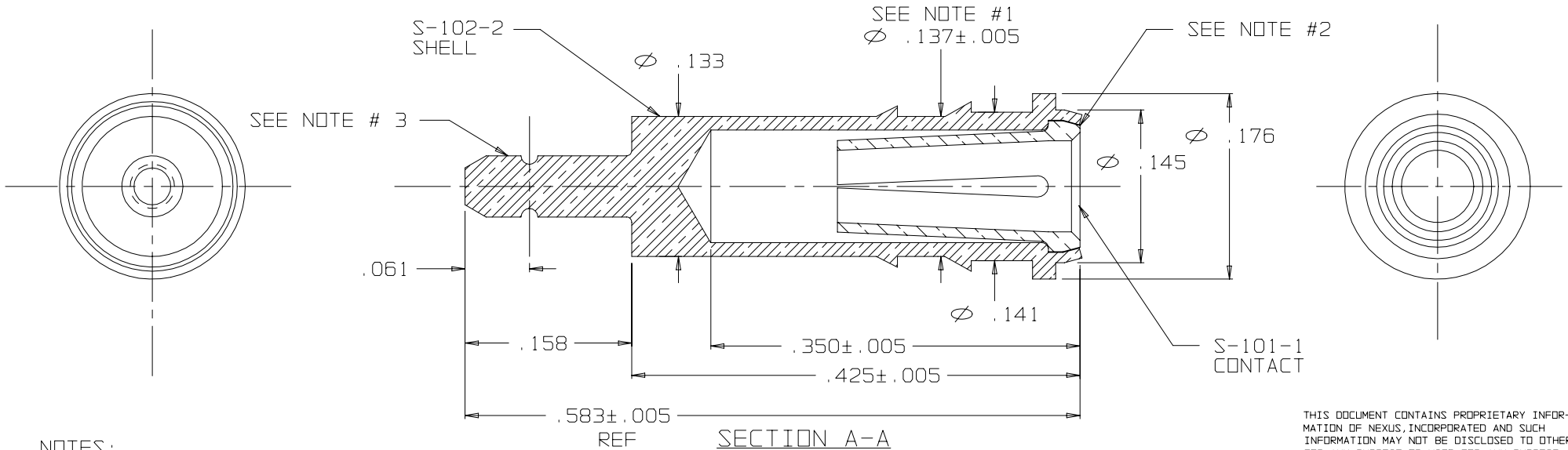
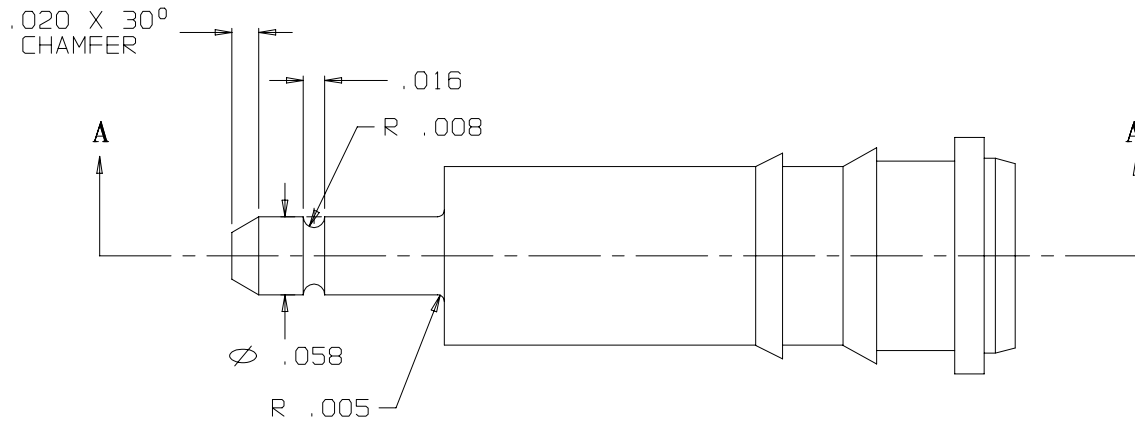


**B S-102**



THIS DOCUMENT CONTAINS PROPRIETARY INFORMATION OF NEXUS, INCORPORATED AND SUCH INFORMATION MAY NOT BE DISCLOSED TO OTHERS FOR ANY PURPOSE OR USED FOR ANY PURPOSE WITHOUT THE WRITTEN CONSENT OF NEXUS.

NOTES:

1. DIMENSIONS ARE AFTER CRIMPING.
2. SHOULDER SHALL BE CRIMPED SECURELY AROUND CONTACT HEAD AS SHOWN.
3. TO BE USED WITH AMP PCB DISCONNECTS REQUIRING A .058 DIA. PIN CAT. # 82159.

DWN. BY <i>M.N.F.</i>	DATE 1/16/96	MATERIAL _____	
CHECKED BY L. SMITH	DATE 1/17/96	FINISH _____	
APPR. BY L. SMITH	DATE 1/17/96	WEIGHT _____	SCALE 10:1
UNLESS OTHERWISE SPECIFIED DIMENSIONS ARE IN INCHES TOLERANCES ON FRACTIONS DECIMALS ANGLES ____ +/- .003 ____		TITLE <b>SOCKET ASSEMBLY</b>	
LET. REVISION CN # DATE CHK.		DD NOT SCALE DWG.	SHEET 1 OF 1
		<b>NEXUS STAMFORD, CONN</b>	
		SIZE <b>B</b>	DWG. NO. <b>S-102</b>