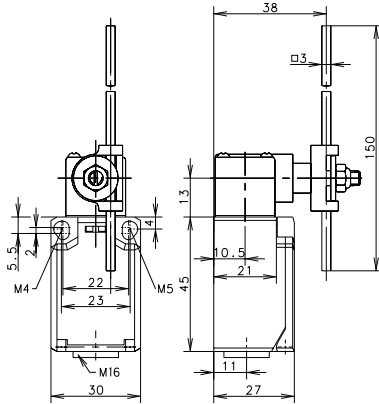
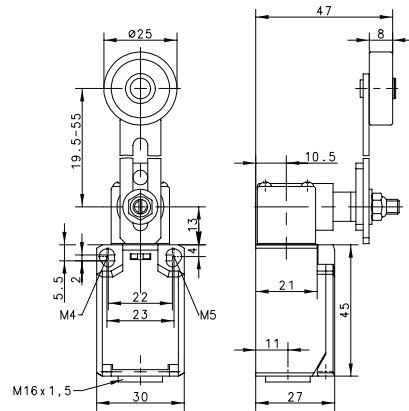


Ti2 Series

AD



AV



Switching Operation	Slow Action	Snap Action	Slow Action	Snap Action
1 NC / 1 NO Contacts	608.8137.027 TI2-U1 AD 	608.8187.028 TI2-SU1 AD 	608.8136.033 TI2-U1 AV 	608.8186.034 TI2-SU1 AV
2 NC Contacts	608.8837.029 TI2-A2 AD 	608.8887.030 TI2-SA2 AD 	-	608.8886.036 TI2-SA2 AV
2 NO Contacts		608.8887.032 TI2-SE2 AD 	608.8836.037 TI2-E2 AV 	608.8886.038 TI2-SE2 AV
1 NC / 1 NO Contacts Overlapping	-	-	-	-

Replacement actuator: **391.8370.986** **391.8360.984**

Technical Information	AD		AV	
	Slow Action	Snap Action	Slow Action	Snap Action
Maximum Switching Voltage	240V	240V	240V	240V
Maximum Switching Amperage	10A	10A	10A	10A
B10d	6 Million	6 Million	6 Million	6 Million
Mechanical Service Life	3 x 10 ⁶	3 x 10 ⁶	3 x 10 ⁶	3 x 10 ⁶
Switching Frequency	≤ 100/min	≤ 100/min	≤ 100/min	≤ 100/min
Operating Temperature	-30 °C to +80 °C	-30 °C to +80 °C	-30 °C to +80 °C	-30 °C to +80 °C
Protection Rating	IP65	IP65	IP65	IP65
Utilization Category	AC-15, Ue/Ue 240V 3A	AC-15, Ue/Ue 240V 3A	AC-15, Ue/Ue 240V 3A	AC-15, Ue/Ue 240V 3A
Rate Insulation Voltage	240VAC	240VAC	240VAC	240VAC



Special features/variants

(on request)

- Available with different actuator directions
- With various actuator lengths
- Available with increased switch force

Special features/variants

(on request)

- Available with different actuator directions
- Various roller diameters & lever lengths
- With roller over switch

Drawing dimensions in mm