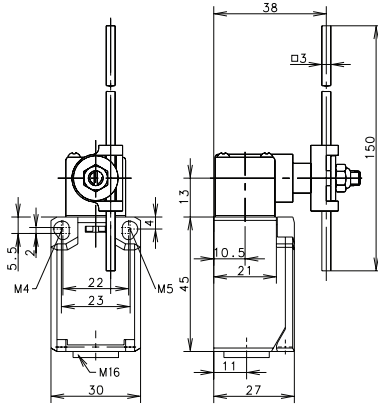
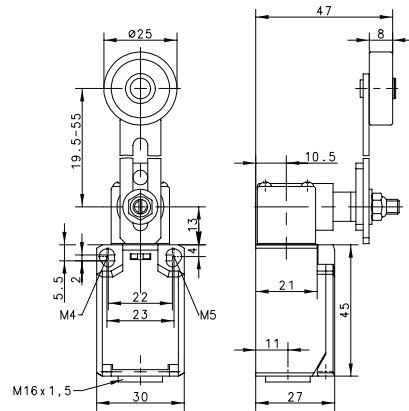


**Ti2 Series**

**AD**



**AV**



Switching Operation	Slow Action	Snap Action	Slow Action	Snap Action
<b>1 NC / 1 NO Contacts</b>	<b>608.8137.027</b> TI2-U1 AD 	<b>608.8187.028</b> TI2-SU1 AD 	<b>608.8136.033</b> TI2-U1 AV 	<b>608.8186.034</b> TI2-SU1 AV 
<b>2 NC Contacts</b>	<b>608.8837.029</b> TI2-A2 AD 	<b>608.8887.030</b> TI2-SA2 AD 	-	<b>608.8886.036</b> TI2-SA2 AV 
<b>2 NO Contacts</b>	-	<b>608.8887.032</b> TI2-SE2 AD 	<b>608.8836.037</b> TI2-E2 AV 	<b>608.8886.038</b> TI2-SE2 AV 
<b>1 NC / 1 NO Contacts Overlapping</b>	-	-	-	-

**Replacement actuator:** **391.8370.986** **391.8360.984**

Technical Information	Slow Action	Snap Action	Slow Action	Snap Action
	Maximum Switching Voltage	240V	240V	240V
Maximum Switching Amperage	10A	10A	10A	10A
B10d	6 Million	6 Million	6 Million	6 Million
Mechanical Service Life	3 x 10 <sup>6</sup>	3 x 10 <sup>6</sup>	3 x 10 <sup>6</sup>	3 x 10 <sup>6</sup>
Switching Frequency	≤ 100/min	≤ 100/min	≤ 100/min	≤ 100/min
Operating Temperature	-30 °C to +80 °C	-30 °C to +80 °C	-30 °C to +80 °C	-30 °C to +80 °C
Protection Rating	IP65	IP65	IP65	IP65
Utilization Category	AC-15, Ue/Ue 240V 3A	AC-15, Ue/Ue 240V 3A	AC-15, Ue/Ue 240V 3A	AC-15, Ue/Ue 240V 3A
Rate Insulation Voltage	240VAC	240VAC	240VAC	240VAC



**Special features/variants**

(on request)

- Available with different actuator directions
- With various actuator lengths
- Available with increased switch force

**Special features/variants**

(on request)

- Available with different actuator directions
- Various roller diameters & lever lengths
- With roller over switch

*Drawing dimensions in mm*