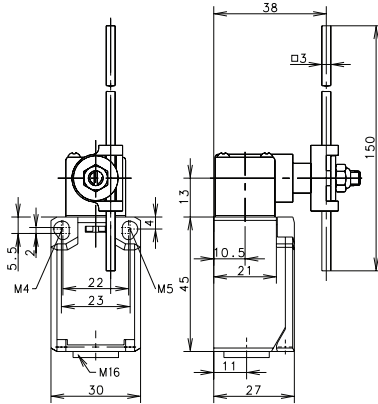
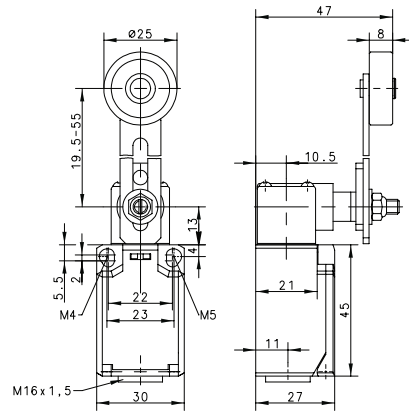


**Ti2 Series**

**AD**



**AV**



| Switching Operation                     | Slow Action                          | Snap Action                           | Slow Action                          | Snap Action                           |
|---|--------------------------------------|---------------------------------------|--------------------------------------|---------------------------------------|
| <b>1 NC / 1 NO Contacts</b>             | <b>608.8137.027</b><br>TI2-U1 AD<br> | <b>608.8187.028</b><br>TI2-SU1 AD<br> | <b>608.8136.033</b><br>TI2-U1 AV<br> | <b>608.8186.034</b><br>TI2-SU1 AV<br> |
| <b>2 NC Contacts</b>                    | <b>608.8837.029</b><br>TI2-A2 AD<br> | <b>608.8887.030</b><br>TI2-SA2 AD<br> | -                                    | <b>608.8886.036</b><br>TI2-SA2 AV<br> |
| <b>2 NO Contacts</b>                    |                                      | <b>608.8887.032</b><br>TI2-SE2 AD<br> | <b>608.8836.037</b><br>TI2-E2 AV<br> | <b>608.8886.038</b><br>TI2-SE2 AV<br> |
| <b>1 NC / 1 NO Contacts Overlapping</b> | -                                    | -                                     | -                                    | -                                     |

Replacement actuator: **391.8370.986** **391.8360.984**

| Technical Information      | AD                   |                      | AV                   |                      |
|----------------------------|----------------------|----------------------|----------------------|----------------------|
|                            | Slow Action          | Snap Action          | Slow Action          | Snap Action          |
| Maximum Switching Voltage  | 240V                 | 240V                 | 240V                 | 240V                 |
| Maximum Switching Amperage | 10A                  | 10A                  | 10A                  | 10A                  |
| B10d                       | 6 Million            | 6 Million            | 6 Million            | 6 Million            |
| Mechanical Service Life    | 3 x 10 <sup>6</sup>  | 3 x 10 <sup>6</sup>  | 3 x 10 <sup>6</sup>  | 3 x 10 <sup>6</sup>  |
| Switching Frequency        | ≤ 100/min            | ≤ 100/min            | ≤ 100/min            | ≤ 100/min            |
| Operating Temperature      | -30 °C to +80 °C     | -30 °C to +80 °C     | -30 °C to +80 °C     | -30 °C to +80 °C     |
| Protection Rating          | IP65                 | IP65                 | IP65                 | IP65                 |
| Utilization Category       | AC-15, Ue/Ue 240V 3A | AC-15, Ue/Ue 240V 3A | AC-15, Ue/Ue 240V 3A | AC-15, Ue/Ue 240V 3A |
| Rate Insulation Voltage    | 240VAC               | 240VAC               | 240VAC               | 240VAC               |



**Special features/variants**

(on request)

- Available with different actuator directions
- With various actuator lengths
- Available with increased switch force

**Special features/variants**

(on request)

- Available with different actuator directions
- Various roller diameters & lever lengths
- With roller over switch

*Drawing dimensions in mm*