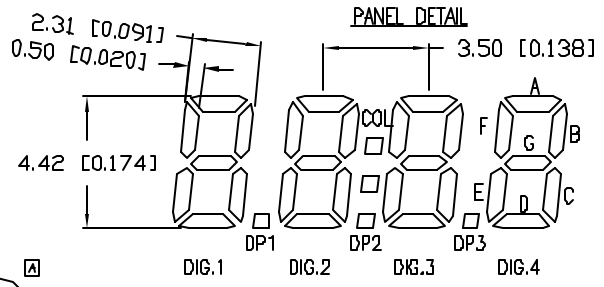
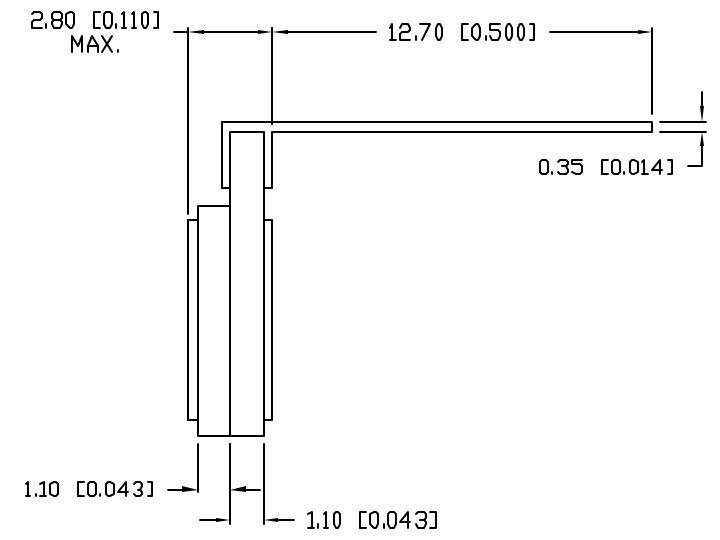
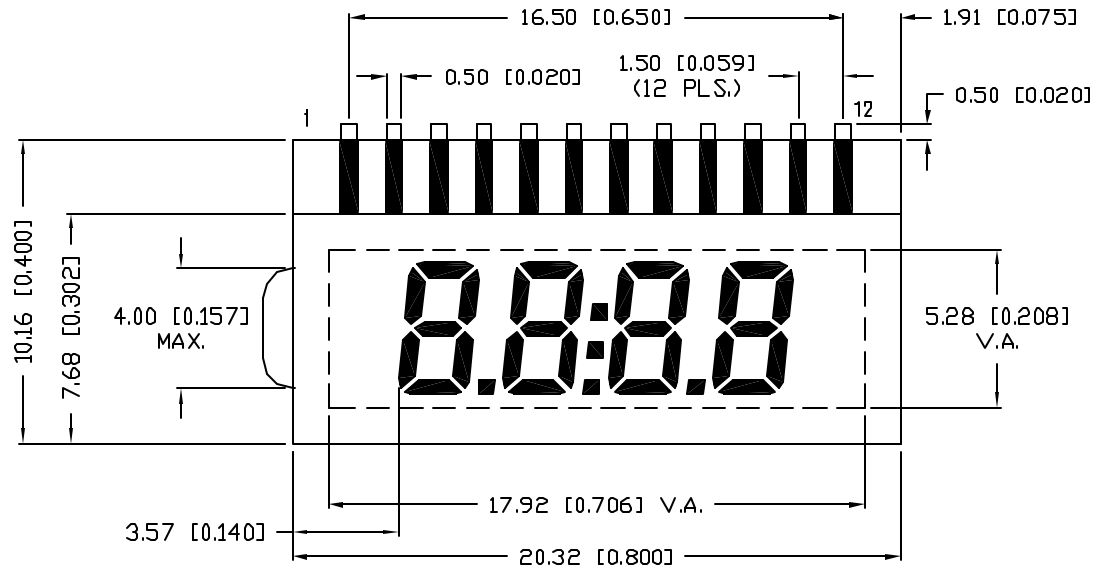


UNCONTROLLED DOCUMENT

PART NUMBER		REV.
LCD-S401M16TF		A
REV.	E.C.N. NUMBER AND REVISION COMMENTS	DATE
A	E.C.N. #11148.	02.08.07



CHARACTERISTICS	
FLUID TYPE	TN
BACKGROUND COLOR	GRAY
VIEWING DIRECTION	6:00
DISPLAY MODE	TRANSFLECTIVE
OPERATING VOLTAGE	5.0V A.C.
OPERATING TEMP.	0°C TO 50°C
STORAGE TEMP.	-20°C TO 70°C
DRIVING METHOD	1/4 DUTY, 1/3 BIAS
CONNECTION TYPE	12 PINS

PIN	1	2	3	4	5	6	7
COM0	COM0	/	/	/	1D	DP1	2D
COM1	/	COM1	/	/	1E	1C	2E
COM2	/	/	COM2	/	1G	1B	2C
COM3	/	/	/	COM3	1F	1A	2F
PIN	B	9	10	11	12		
COM0	DP2	3D	DP3	4D	COL		
COM1	2C	3E	3C	4E	4C		
COM2	2B	3G	3B	4G	4B		
COM3	2A	3F	3A	4F	4A		

UNCONTROLLED DOCUMENT

\*UNLESS OTHERWISE SPECIFIED TOLERANCES PER DECIMAL PRECISION ARE: X=±1 (±0.039), XX=±0.5 (±0.020), XXX=±0.25 (±0.010), XXXX=±0.127 (±0.005). LEAD SIZE=±0.05 (±0.002), LEAD LENGTH=±0.75 (±0.030). MIN.=<sup>+DECIMAL PRECISION</sup><sub>-0.00</sub> MAX.=<sup>+0.00</sup><sub>-DECIMAL PRECISION</sub>

REV.	PART NUMBER
A	LCD-S401M16TF

**CONFIDENTIAL INFORMATION**  
 THE INFORMATION CONTAINED IN THIS DOCUMENT IS THE PROPERTY OF LUMEX INC. EXCEPT AS SPECIFICALLY AUTHORIZED IN WRITING BY LUMEX INC., THE HOLDER OF THIS DOCUMENT SHALL KEEP ALL INFORMATION CONTAINED HEREIN CONFIDENTIAL AND SHALL PROTECT SAME IN WHOLE OR IN PART FROM DISCLOSURE AND DISSEMINATION TO ALL THIRD PARTIES.



290 E. HELEN ROAD  
 PALATINE, IL 60067-6976  
 PHONE: +1.847.359.2790  
 US WEB: www.lumex.com  
 TW WEB: www.lumex.com.tw

FOUR DIGIT 0.17" SEVEN SEGMENT, CUSTOM LCD PANEL,  
 TN, TRANSFLECTIVE, 0°C TO 50°C, 6:00 VIEW.

**RELIABILITY NOTE**  
 OUR MANY YEARS OF EXPERIENCE DATA ACCUMULATION INDICATE THAT SOLDER HEAT IS A MAJOR CAUSE OF EARLY AND FUTURE FAILURE. PLEASE PAY ATTENTION TO YOUR SOLDERING PROCESS.

DRAWN BY:	CHECKED BY:	APPROVED BY:	DATE:
jc			5.2.03
			PAGE: 1 OF 1
			SCALE: N/A