

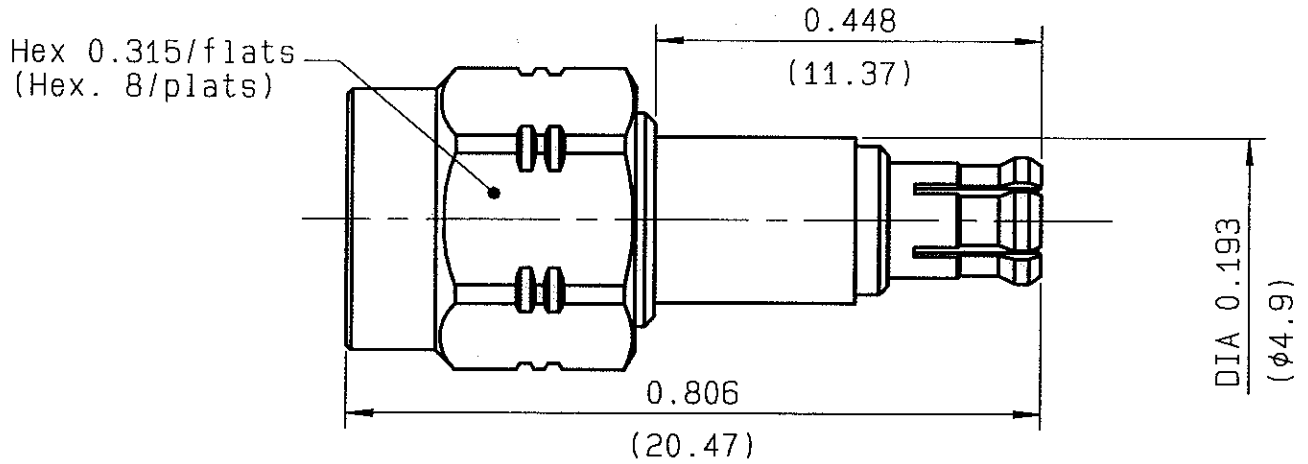
**SMA MALE - R-MCX FEMALE  
STRAIGHT ADAPTER**

**R191.977.020**

**SERIES**

**ADAPT**

4 Creves pour immobilisation du contact-central  
(4 idents for center-contact captivation).  
(4-Punkt-Crimping zur Fixierung des innenleiters).



NOMINAL IMPEDANCE	<b>50</b> Ω	CABLES :	
FREQUENCY RANGE	<b>0-6</b> GHz		
TEMPERATURE RATING	<b>-55/+155</b> °C		
V.S.W.R	<b>1.1 + .04 x F(GHz)Maxi</b>		
RF INSERTION LOSS	<b>0.25 √F(GHz) dB Maxi</b>		
VOLTAGE RATING	<b>500</b> Veff Maxi		
DIELECTRIC WITHSTANDING VOLTAGE	<b>1000</b> Veff Mini		
INSULATION RESISTANCE	<b>1000</b> MΩMini	OTHERS CHARACTERISTICS	
HERMETIC SEAL	<b>NA</b> Atm.cm <sup>3</sup> /s	CABLE RETENTION	<b>N</b> Mini
LEAKAGE (pressurized only)	<b>NA</b>	CENTER CONTACT RETENTION	
MECHANICAL DURABILITY	<b>500</b> Cycles	Axial force - mating end	<b>10</b> N Mini
WEIGHT	gr	Axial force - opposite end	<b>10</b> N Mini
SPECIFICATION		Torque	<b>NA</b> cm.N Mini
		RECOMMENDED TORQUES	
		Mating	<b>NA</b> cm.N
		Panel nut	<b>NA</b> cm.N
		Clamp nut	<b>NA</b> cm.N

CONNECTOR PARTS	MATERIALS	FINISH	(all values are given in micrometers)
BODY	BRASS	NICKEL 2	
OUTER CONTACT	BERYLLIUM COPPER	TIN NICKEL	
CENTER CONTACT	BERYLLIUM COPPER	GOLD 1.3 OVER NICKEL 2	
INSULATOR	PTFE	-	
GASKET	SILICONE RUBBER	-	
OTHERS PIECES	BRASS	NICKEL 2	

MASTRAND

ISSUE	CREATION DATE	FILE PART-NUMBER
<b>0430B00</b>	<b>20/11/1996</b>	<b>96-0400-542</b>



**RADIALL®**

The information given here is subject to change without notice.  
Design changes may be in order to improve the product.

*Connect to the future*