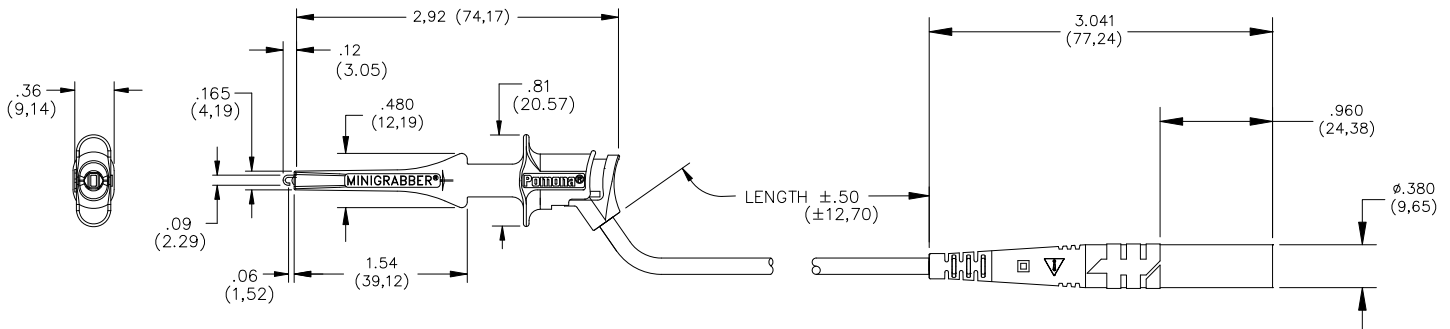


**Model 6248**  
**Minigrabber® Test Clip to Sheathed Banana Jack****Features**

- Newly designed Minigrabber® Test Clip Patch Cord complies with IEC 61010-2-31, which is the latest international safety standard for test accessories.
- Grabber width is a slim .36" (9,14 mm) for easier access to test terminals.
- Grabber hook is gold plated beryllium copper to ensure signal integrity & attaches onto component leads up to .060" (1,5 mm) O.D.
- Grabber patch cord can connect directly to Pomona's sheathed type flexible tests leads for added patch cord length.
- Banana jack is molded directly to the cable for a long lasting connection.
- High strand count silicone insulated wire offers excellent flexibility and high temperature resistance.

**Materials**

Grabber: Body: Polypropylene, Color per Part Number  
Hook: Beryllium Copper, Gold Plated, compression Spring: Music Wire  
Wire: 18 AWG, 65 x 36 Tinned Copper, Insulation – Silicone, .144" (3,66 mm) O.D., Color per P/N  
Banana Jack: Body – Brass, Nickel Plated  
Insulation – Polypropylene, Color per P/N

**Ratings**

IEC 61010 2-031, Category II, P2 Compliant  
Operating Voltage: 300 VRMS/DC Max.  
Current: 5 Amperes Max.

**Ordering Information**

Model 6248-XX-\*  
XX = Lead Length in Inches, Standard Length: 12" (30,48 cm)  
\* = Color Code, -0 Black and -2 Red  
Additional lengths can be quoted upon request.

**USA:** Sales: 800-490-2361  
Technical Support: [technicalsupport@pomonatest.com](mailto:technicalsupport@pomonatest.com)  
Fax: 425-446-5844  
**Europe:** 31-(0) 40 2675 150 **International:** 425-446-5500  
**Where to Buy:** [www.pomonaelectronics.com](http://www.pomonaelectronics.com)

All dimensions are in inches. Tolerances (except noted): .xx = ±.02" (.51 mm), .xxx = ±.005" (.127 mm). All specifications are to the latest revisions. Specifications are subject to change without notice. Registered trademarks are the property of their respective companies.