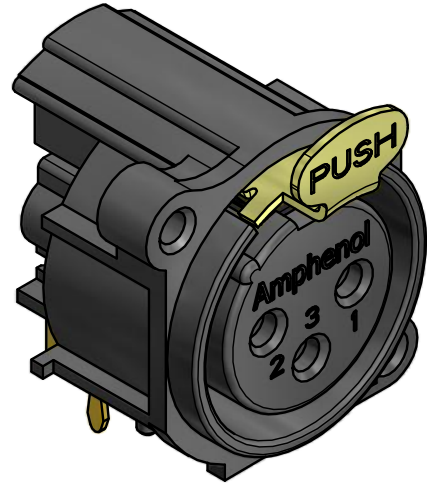
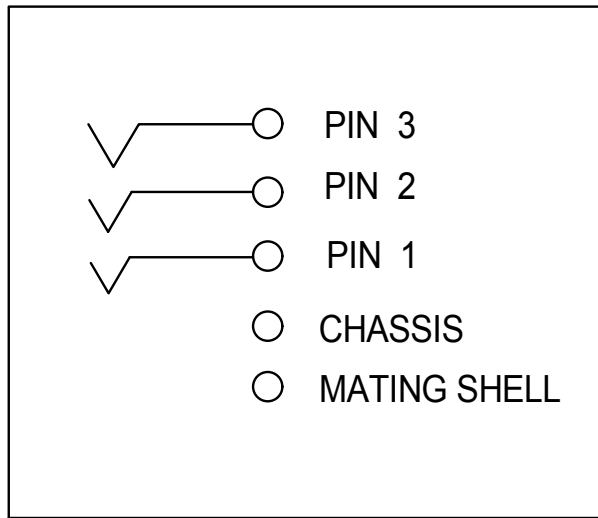
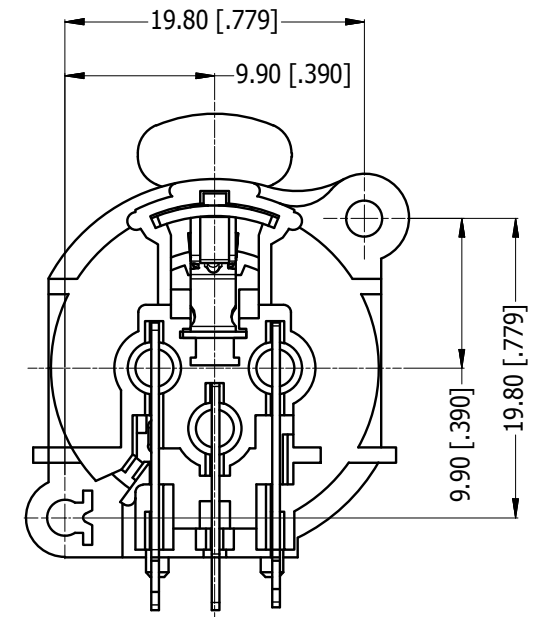
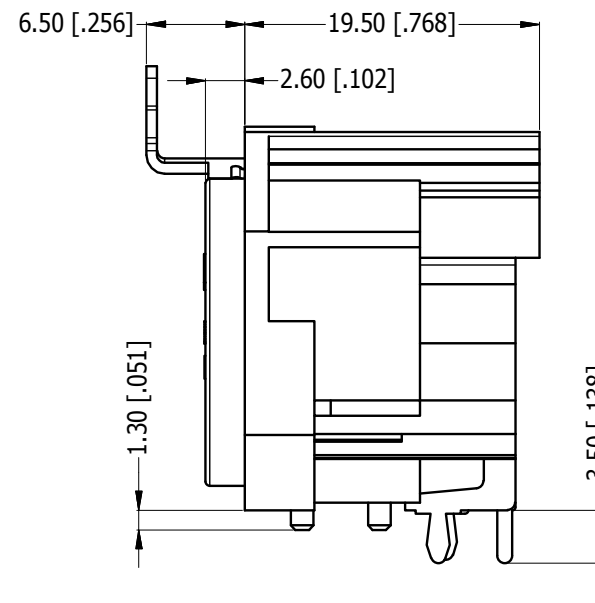
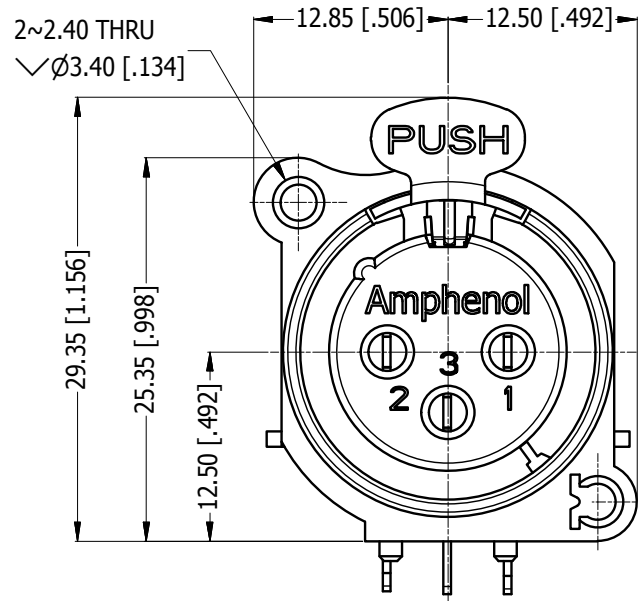
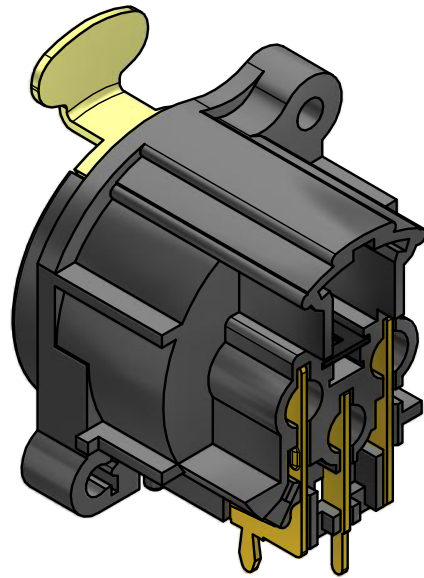


LEGEND = KEY PRODUCT CHARACTERISTICS

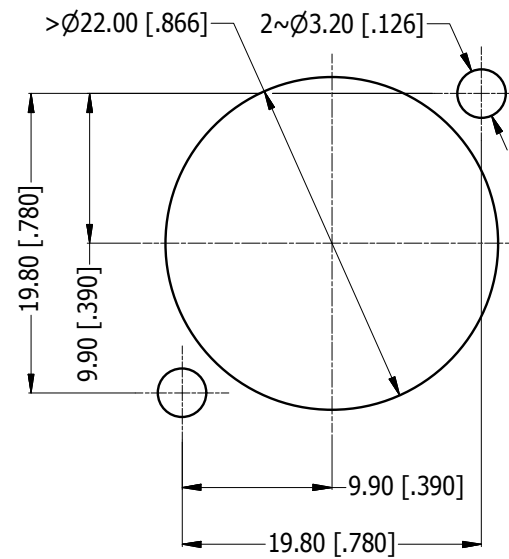
| REVISION HISTORY |             |            |    |        |
|------------------|-------------|------------|----|--------|
| REV              | DESCRIPTION | DATE       | BY | CHG/No |
| 0                | FIRST ISSUE | 20/08/2014 | MH | ---    |



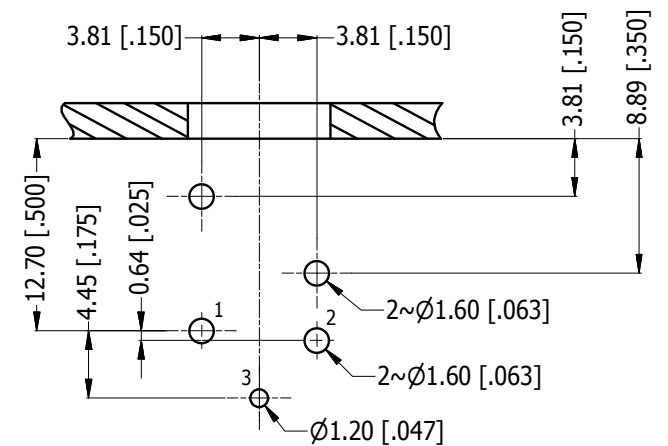
**ISO VIEW**



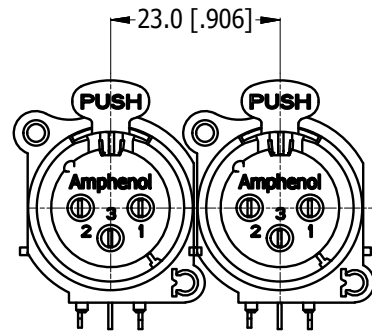
**SCHEMATIC CHART**



**PANEL CUT OUT  
REAR VIEW**



**PCB-LAYOUT  
COMPONENT SIDE  
TOLERANCE:  $\pm 0.05\text{mm}$  [0.002"]**



**MIN MOUNTING PITCH  
SCALE 1:1**

|  |            |   |        |          |                          |  |  |
|--|------------|---|--------|----------|--------------------------|--|--|
| UNLESS OTHERWISE SPECIFIED TOLERANCE TO BE |            | THIS DOCUMENT IS THE PROPERTY OF AMPHENOL AUSTRALIA PTY. LTD. NO PART THEREOF MAY BE REPRODUCED AND USED WITHOUT THE PRIOR WRITTEN CONSENT OF THE OWNER |        |          |                          | <b>Amphenol</b> Amphenol Australia Pty.Ltd. 22 Industry Blvd, Carrum Downs, VIC 3201 |  |
| LINER                                      | ANGULAR    | MATERIAL:   | DRN:   | DATE:    | TITLE:                   | PART No:   |  |
| X ±0.5                                     | X' ±1      | <b>REFER TO COMPONENT</b>   | MH     | 20/08/14 | <b>AC3FAH-AU-PRE</b>     | <b>AC3FAH-AU-PRE</b>   |  |
| X.X ±0.2                                   | X.X' ±30'  | BREAK ALL SHARP EDGES AND REMOVE ALL BURRS  | CKD:   | DATE:    | <b>HORIZONTAL FEMALE</b> | DRAWING NO.  |  |
| X.XX ±0.1                                  | X.XX" ±15' | DO NOT SCALE  | P.M    | 20/08/14 | <b>CUSTOMER DRAWING</b>  | <b>55011035-000-2</b>  |  |
| DIMENSIONS IN MILLIMETRES                  |            | FINISH: <b>REFER TO COMPONENT</b>   | APP'D: | DATE:    | SCALE: <b>2:1</b>        | SIZE: <b>A3</b>  |  |
|  |            |   |        |          | CAD FILE: 55011035000220 | SHEET <b>2/2</b>   |  |