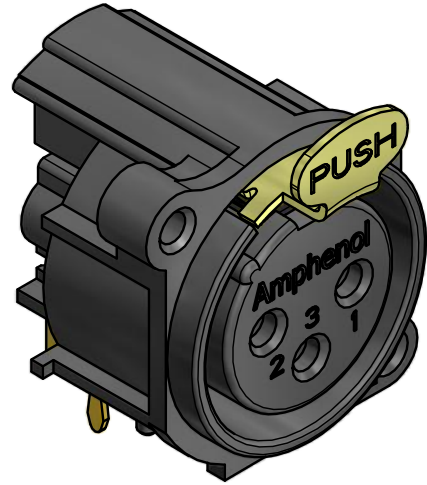
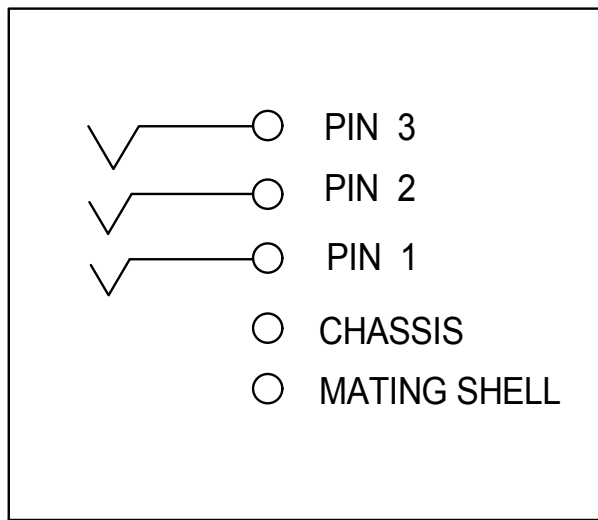
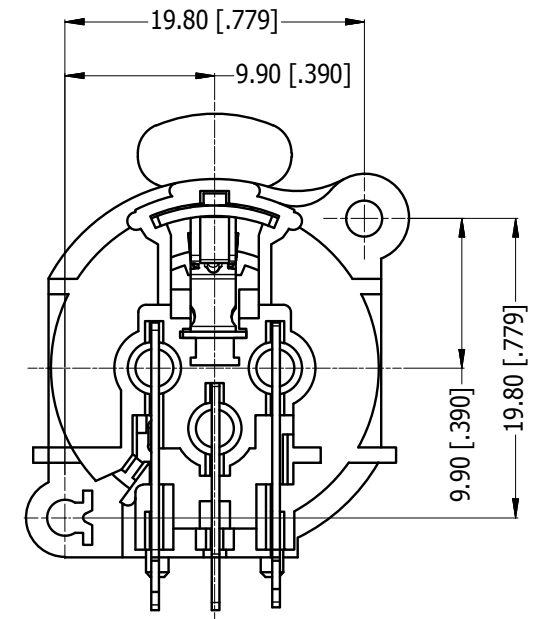
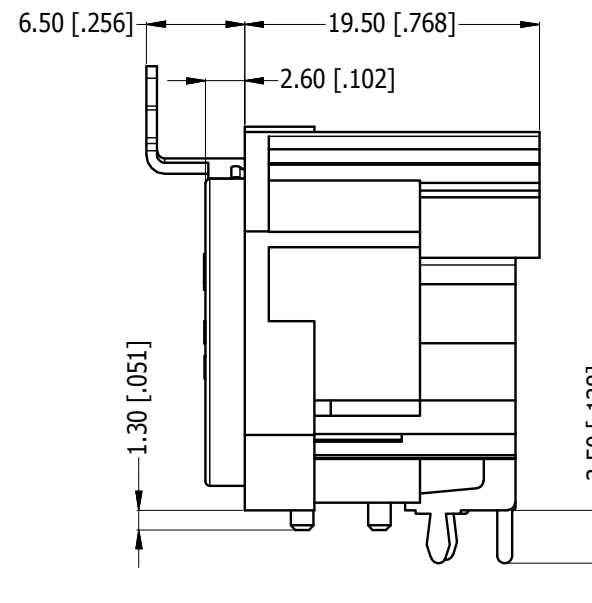
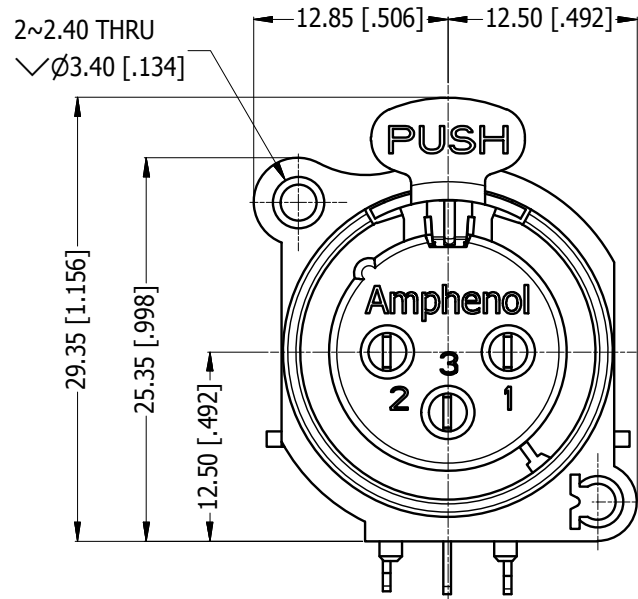
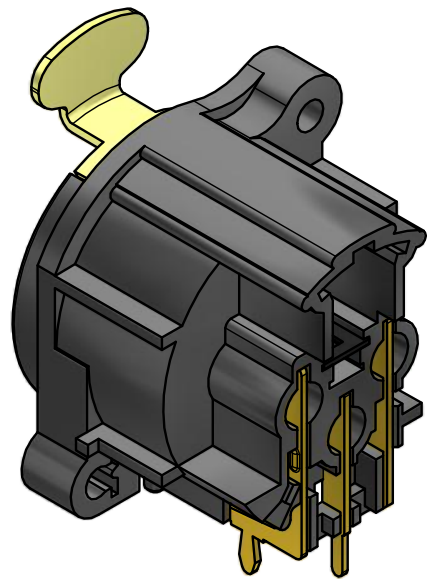


LEGEND = KEY PRODUCT CHARACTERISTICS

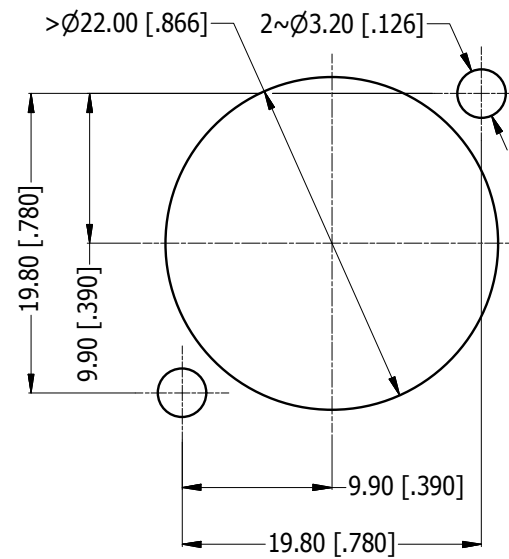
REVISION HISTORY				
REV	DESCRIPTION	DATE	BY	CHG/No
0	FIRST ISSUE	20/08/2014	MH	---



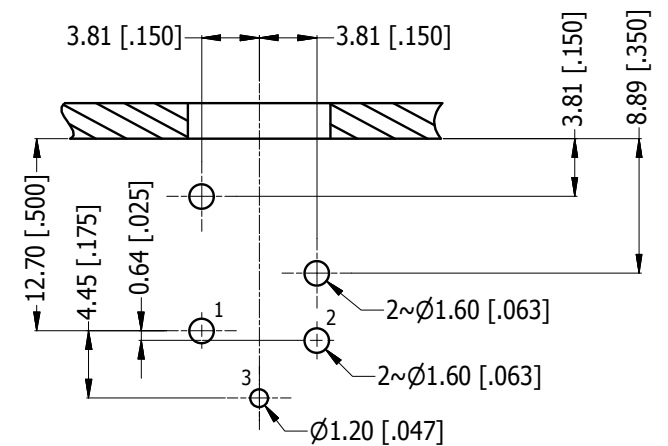
ISO VIEW



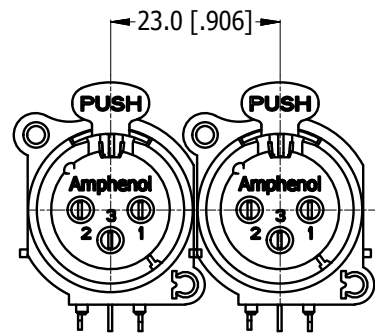
SCHEMATIC CHART



PANEL CUT OUT  
 REAR VIEW



PCB-LAYOUT  
 COMPONENT SIDE  
 TOLERANCE:  $\pm 0.05\text{mm}$  [.002"]



MIN MOUNTING PITCH  
 SCALE 1:1

UNLESS OTHERWISE SPECIFIED TOLERANCE TO BE		THIS DOCUMENT IS THE PROPERTY OF AMPHENOL AUSTRALIA PTY. LTD. NO PART THEREOF MAY BE REPRODUCED AND USED WITHOUT THE PRIOR WRITTEN CONSENT OF THE OWNER				<b>Amphenol</b> Amphenol Australia Pty.Ltd. 22 Industry Blvd, Carrum Downs, VIC 3201	
LINEAR		ANGULAR		MATERIAL: REFER TO COMPONENT	DRN: MH	DATE: 20/08/14	TITLE: AC3FAH-AU-PRE HORIZONTAL FEMALE CUSTOMER DRAWING
X ±0.5	X' ±1	X.X' ±30'	X.XXX ±15'	BREAK ALL SHARP EDGES AND REMOVE ALL BURRS	CKD: M.H	DATE: 20/08/14	PART No: AC3FAH-AU-PRE
X.XX ±0.1	X.XXX ±0.1			DO NOT SCALE	APP'D: P.M	DATE: 20/08/14	DRAWING NO. 55011035-000-2
DIMENSIONS IN MILLIMETRES		THIRD ANGLE PROJECTION		SCALE: 2:1	SIZE: A3	CAD FILE 55011035000220	SHEET 2/2