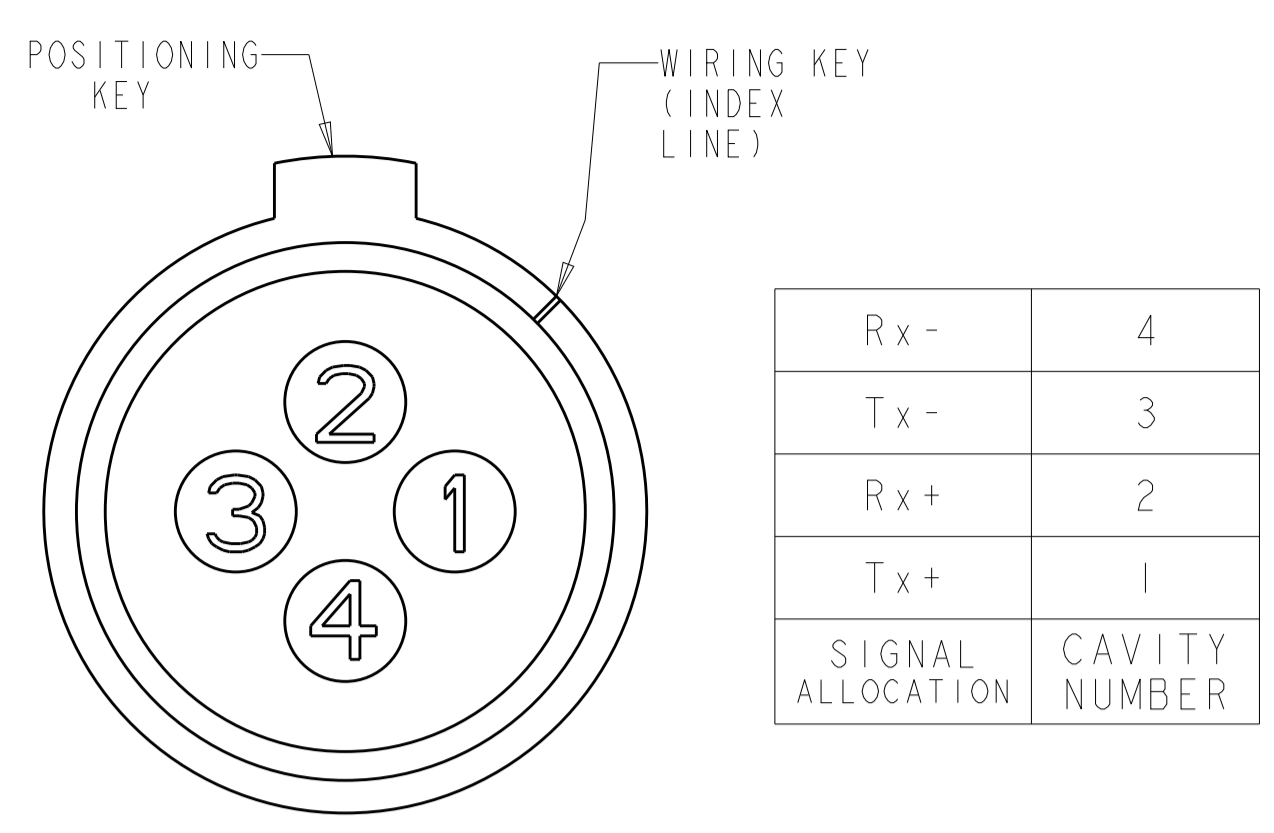
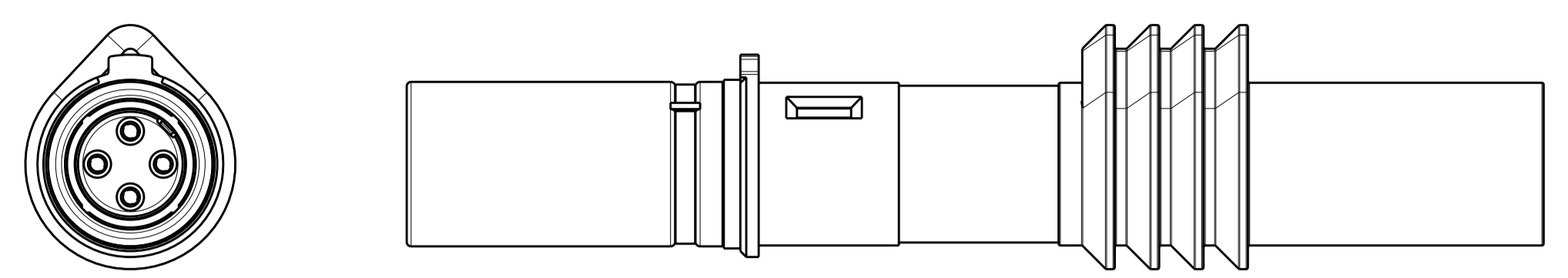


REVISIONS					
P.	LTM	DESCRIPTION	DATE	DMN	APVD
C		REV PER ECO-15-012764	12OCT2015	KG	DM

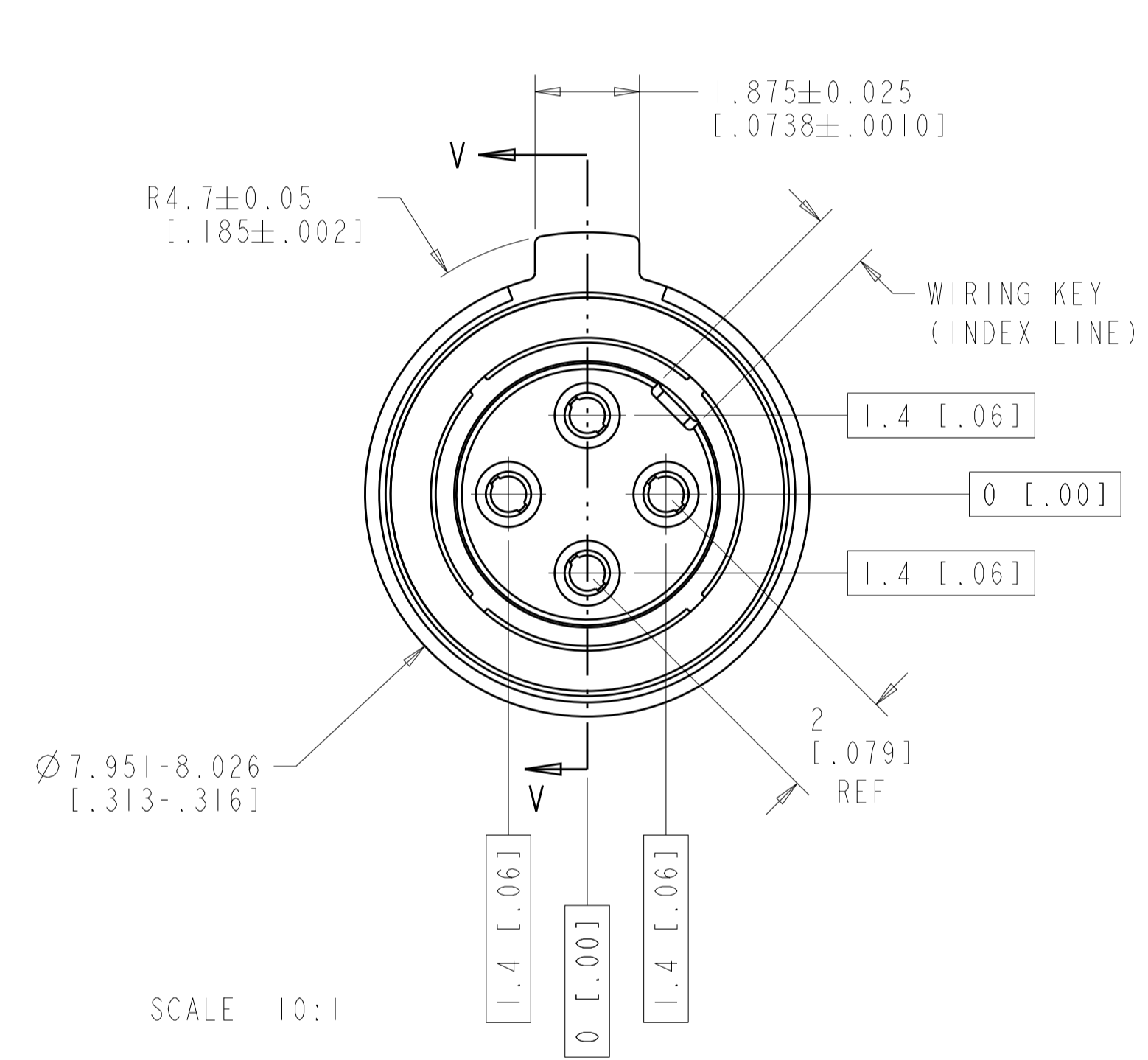


Rx-	4
Tx-	3
Rx+	2
Tx+	1
SIGNAL ALLOCATION	CAVITY NUMBER

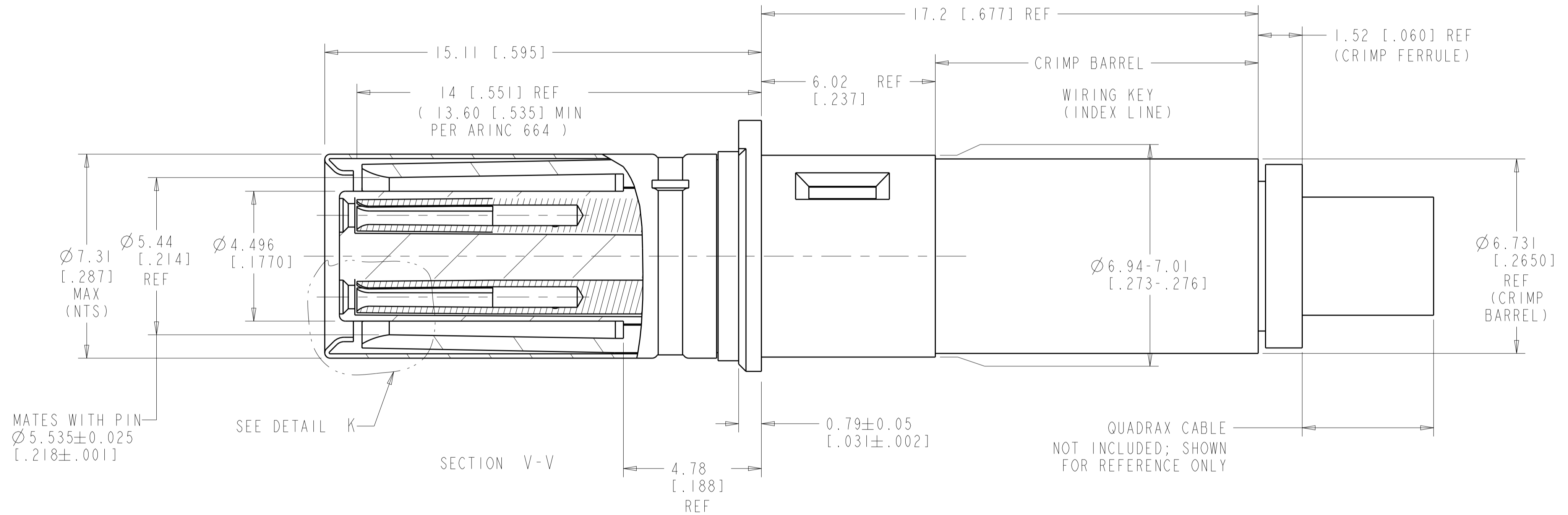
MATING FACE VIEW
CONTACT CAVITY NUMBERING
STANDARD CAVITY NUMBER ASSIGNMENT



1877040-2
SCALE 4:1



SCALE 10:1

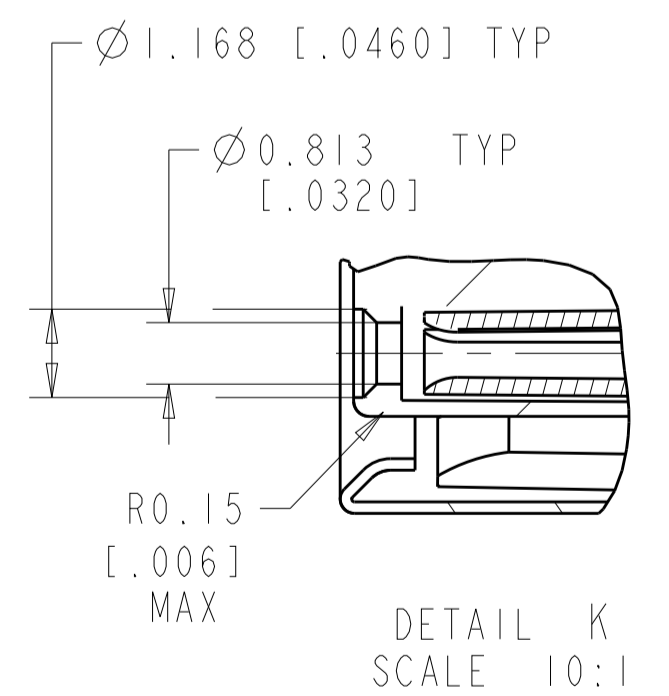


MATES WITH PIN
Ø 5.535±0.025
[.218±.001]

SEE DETAIL K

SECTION V-V

QUADRAX CABLE
NOT INCLUDED; SHOWN
FOR REFERENCE ONLY



DETAIL K
SCALE 10:1

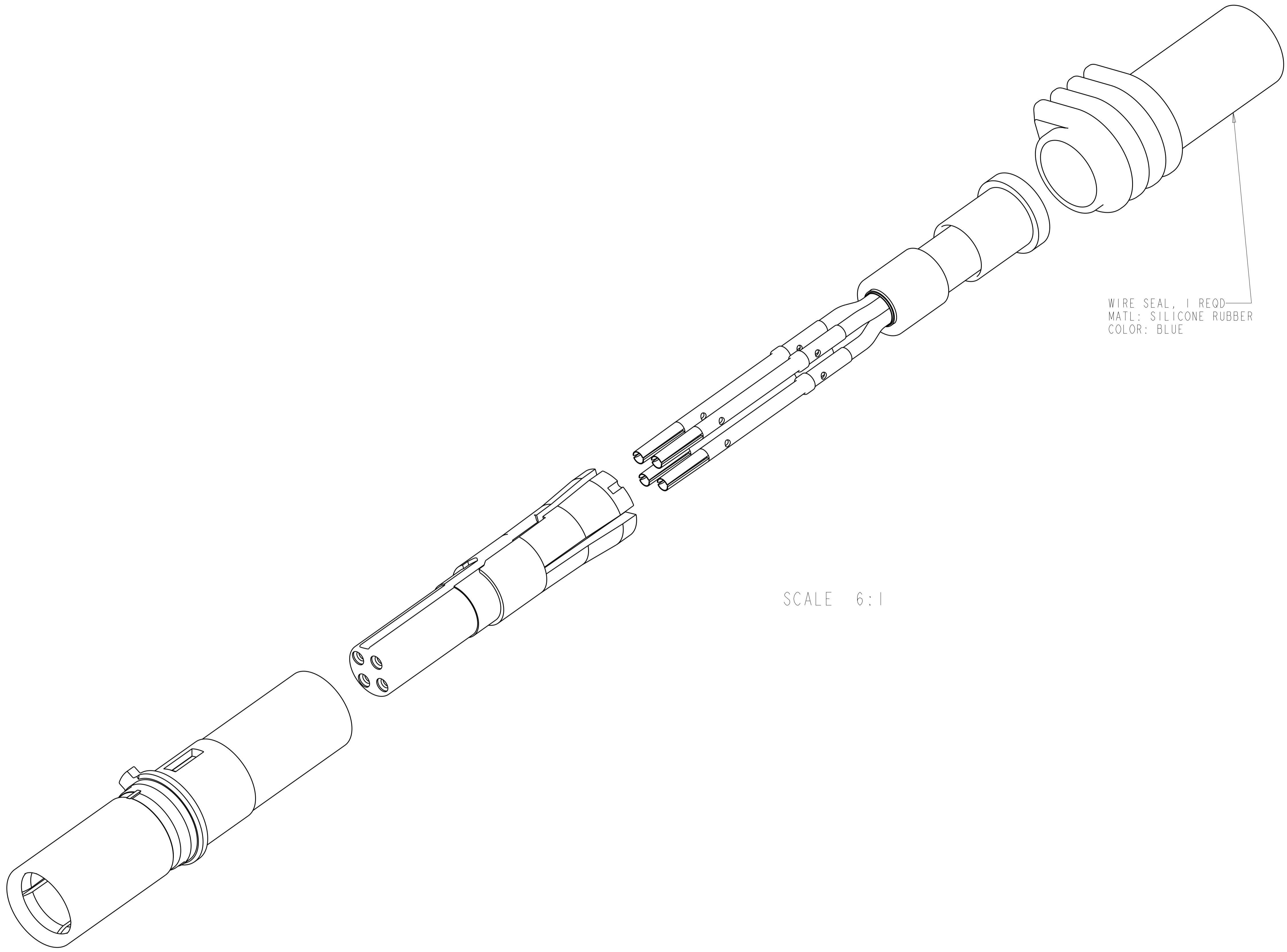
- COMPONENTS ARE PACKAGED IN KIT FORM. CABLE MUST BE PURCHASED SEPARATELY. .231 HEX CRIMP WILL ALLOW ASSEMBLY OF SOME 150 OHM CABLES. REFERENCE CABLES: TENSOLITE 26473/02006X-4(LD), RAYCHEM CEC-RWC-18684, RAYCHEM CEC-RWC-18680
- ASSEMBLY PER APPLICATION SPECIFICATION 114-13123. (.231 HEX CRIMP)
- USE INSERTION-EXTRACTION TOOL 1738894-1.

BLUE	SAME AS -1 EXCEPT WITH WIRE SEAL	1877040-2
--	AS SHOWN; WITHOUT WIRE SEAL	1877040-1
SEAL COLOR	DESCRIPTION	PART NO.


THIS DRAWING IS A CONTROLLED DOCUMENT.		DMN: 05MAY05	 TE Connectivity
DIMENSIONS: mm [INCH]		CHK: 05MAY05	
TOLERANCES UNLESS OTHERWISE SPECIFIED:		RW: 05MAY05	
0 PLC ±.013 [.0051] 1 PLC ±0.2 [.008] 2 PLC ±0.13 [.0051] 3 PLC ±0.051 [.002] 4 PLC ±. ANGLES ±.		APVD: 05MAY05	
MATERIAL:	FINISH:	WEIGHT:	NAME: ASSEMBLY, SOCKET, QUADRAX, 2mm SQ, AIRCRAFT DATA NETWORK, RR/RR WITH SOCKET CONTACTS, .231 HEX CRIMP
CUSTOMER DRAWING		SCALE: 10:1	SIZE: A1
		SHEET: 1 OF 2	RESTRICTED TO: REV C

THIS DRAWING IS UNPUBLISHED. RELEASED FOR PUBLICATION 20
COPYRIGHT 20 BY - ALL RIGHTS RESERVED.

REVISIONS				
P.	LTN	DESCRIPTION	DATE	APVD
--		SEE SHEET 1	-	-



SCALE 6:1

THIS DRAWING IS A CONTROLLED DOCUMENT.		DWN: 05MAY05	 TE Connectivity
DIMENSIONS: mm [INCH]		CHK: 05MAY05	
TOLERANCES UNLESS OTHERWISE SPECIFIED:		RW: 05MAY05	
0 PLC ±.2 1 PLC ±0.2 (1.008) 2 PLC ±0.13 (1.0051) 3 PLC ±0.051 (1.002) 4 PLC ±. ANGLES ±. FINISH ±.		APVD: 05MAY05	
MATERIAL: -	FINISH: -	WEIGHT: -	NAME: ASSEMBLY, SOCKET, QUADRAx, 2mm SQ, AIRCRAFT DATA NETWORK, RR/RR WITH SOCKET CONTACTS, .231 HEX CRIMP SIZE: A1 CAGE CODE: - DRAWING NO: C=1877040 CUSTOMER DRAWING SCALE: 4:1 SHEET 2 OF 2 REV C