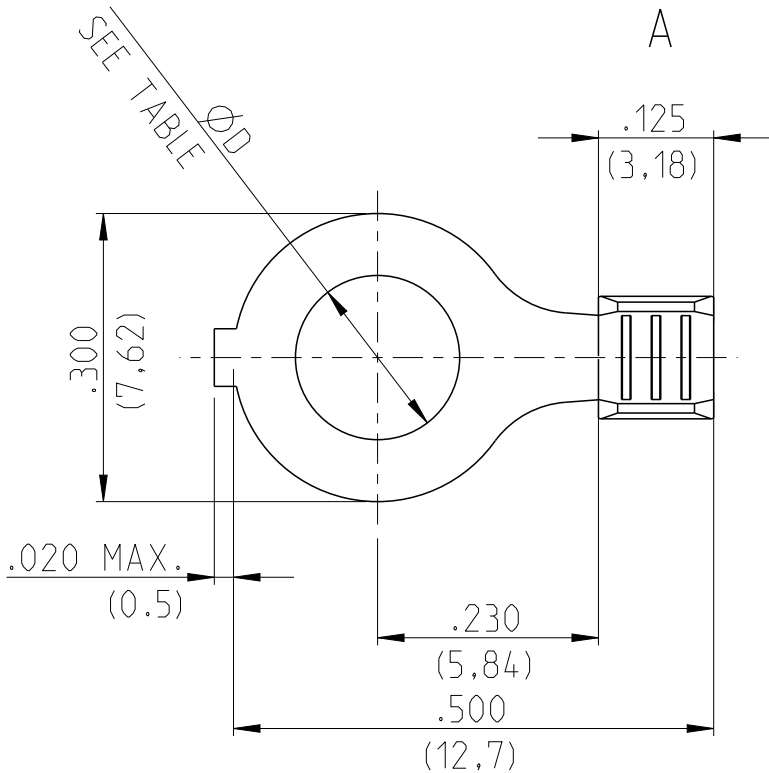
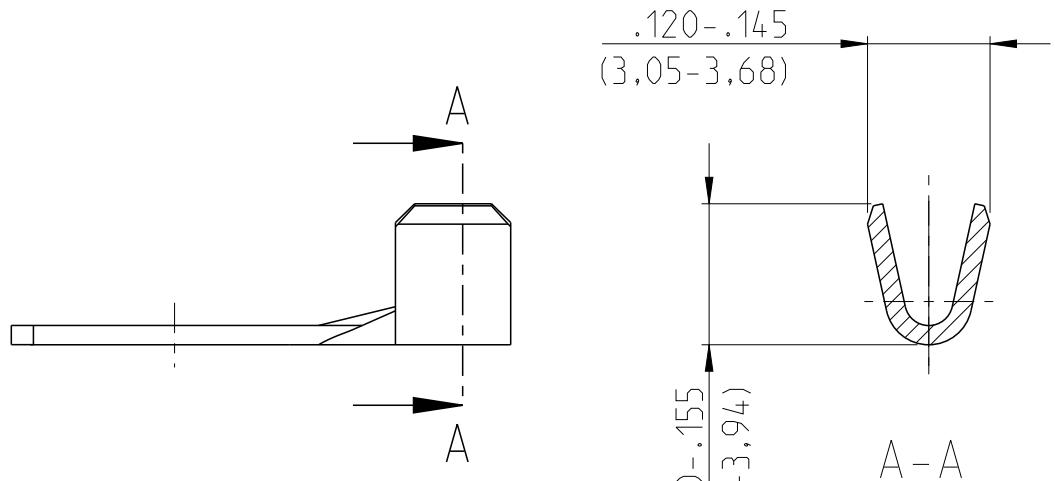



LOC	DIST	REVISIONS				
P	LTR	DESCRIPTION	DATE	DWN	APVD	
IR	-	N3	OBSOLETE	12SEP2012	PKS	RRP
		N4	RE-ACTIVATED	26FEB2013	PKS	RRP



TIN PLATED	#8	.171 (4,34)	BRASS	150070-5
NONE	#8	.171 (4,34)	BRASS	150070-2
FINISH	STUD	D ±.003 (±0.08)	MATERIAL	PART NO

DIMENSIONS: INCH	DWN SENTHIL 26FEB2012	MATERIAL SEE TABLE	FINISH SEE TABLE
TOLERANCES UNLESS OTHERWISE SPECIFIED:	CHK SENTHIL 26FEB2012	 TE Connectivity	
0 PLC ±	APVD RAJENDRA 26FEB2012		
1 PLC ±.02	PRODUCT SPEC	NAME RING TONGUE TERMINAL	
2 PLC ±.02	APPLICATION SPEC	SIZE A 4	CAGE CODE 00779
3 PLC ±.02	WEIGHT	DRAWING NO C-150070	RESTRICTED TO -
4 PLC ±		SCALE 5:1	SHEET 1 OF 1
ANGLES ±	Customer Drawing		REV N4

RELEASED FOR PUBLICATION

ALL RIGHTS RESERVED.

© COPYRIGHT

THIS DRAWING IS UNPUBLISHED.