

“Stay Connected” with



Strain Relief Bushings

a PennEngineering® Company



## Heyco® Liquid Tight Strain Relief Bushings

The Ultimate in Snap-In Strain Relief Protection

Snap-in, Low Profile Design allows for Pre-assembled Cables



| CABLE DIAMETER RANGE                    |     |         |      | PANEL DIMENSIONS     |      |                               |     | PART NO.    | DESCRIPTION       | PART DIMENSIONS |      |                  |      | CAST PLIER PART NO. | NYLON PLIER ADAPTOR (Included) PART NO. | Mounting Hole Plug Part No. |
|---|-----|---------|------|----------------------|------|-------------------------------|-----|-------------|-------------------|-----------------|------|------------------|------|---------------------|---|-----------------------------|
| Minimum                                 |     | Maximum |      | A Mounting Hole Dia. |      | Finished Fit Panel Thickness* |     |             |                   | C Head Diameter |      | D Overall Height |      |                     |   |                             |
| in.                                     | mm. | in.     | mm.  | in.                  | mm.  | in.                           | mm. | in.         | mm.               | in.             | mm.  | in.              | mm.  |                     |   |                             |
| <b>For .875 (22,2 mm) Mounting Hole</b> |     |         |      |                      |      |                               |     |             |                   |                 |      |                  |      |                     |   |                             |
| .280                                    | 7,1 | .330    | 8,4  | .875                 | 22,2 | .094                          | 2,4 | <b>1063</b> | LTBSR 875-094-330 | 1.29            | 32,8 | .99              | 25,1 | <b>0029</b>         | <b>0029A**</b>                          | 2509                        |
|   |     |         |      |                      |      | .188                          | 4,8 | <b>1064</b> | LTBSR 875-188-330 |                 |      |                  |      |                     |   |                             |
| .330                                    | 8,4 | .440    | 11,2 | .875                 | 22,2 | .094                          | 2,4 | <b>1065</b> | LTBSR 875-094-440 |                 |      |                  |      |                     |   |                             |
|   |     |         |      |                      |      | .188                          | 4,8 | <b>1066</b> | LTBSR 875-188-440 |                 |      |                  |      |                     |   |                             |

Standard color black.

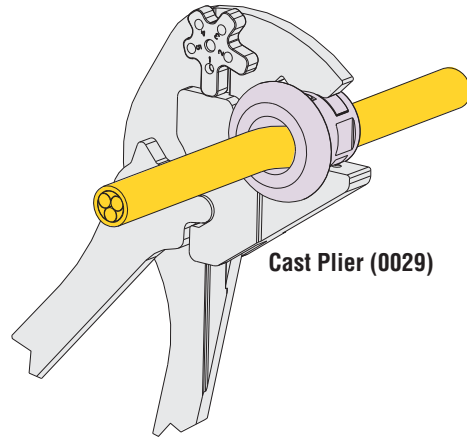
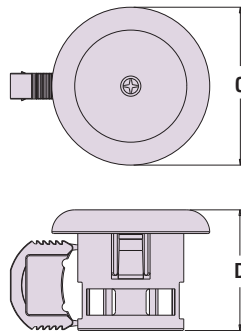
\* Maximum Panel Thickness. Part has additional clearance.

\*\* Nylon Adaptor (0029A) included for Alternate Plier Crimping Method, but not required for Cast Plier Method –

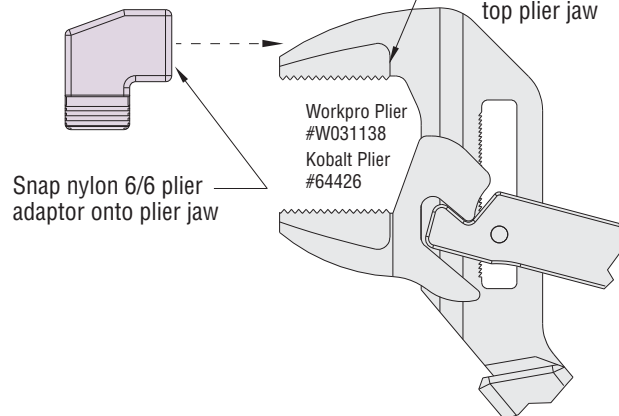
Nylon Adaptor (0029A) compatible with 10" pliers, either Workpro item #W031138 or Kobalt item #64426 (available commercially).

- These low profile co-molded nylon and elastomer parts function as a Liquid Tight Strain Relief with a cable.
- cULus approved under UL 514B.
- Low profile design: height above panel is less than .188" (4,8mm).
- Can be pre-assembled to the cable prior to installation.
- Assembles to cables with a simple hand plier for easy installation.
- Smooth, rounded interior edges for ease of installation.
- **Fast and easy installation.**
- Available in multiple sizes for cable diameters ranging from .280" (7,1 mm) to .440" (11,2 mm).
- We recommend using the fitting with the smallest maximum diameter that will fit your application.
- Meet UL strain relief requirements without bending or kinking the cable.
- Special colors available—consult Heyco.

**-Patent Pending**



Nylon Adaptor (0029A)



Quick Specs

|                     |   |
|---------------------|---|
| Material            | Nylon 6/6 w/TPE Top                                       |
| Certifications      | cULus Listed under Underwriters' Laboratories File E51579 |
| Flammability Rating | 94V-0   |
| Temperature Range   | -40°F (-40°C) to 212°F (100°C)                            |
| IP Rating           | IP 65, 66, 67 and 68 (IP 68 is 25psi for 24hrs)           |