

“Stay Connected” with



Strain Relief Bushings

a PennEngineering® Company



## Heyco® Liquid Tight Strain Relief Bushings

*The Ultimate in Snap-In Strain Relief Protection*

Snap-in, Low Profile Design allows for Pre-assembled Cables



CABLE DIAMETER RANGE				PANEL DIMENSIONS				PART NO.	DESCRIPTION	PART DIMENSIONS				CAST PLIER PART NO.	NYLON PLIER ADAPTOR (Included) PART NO.	Mounting Hole Plug Part No.
Minimum		Maximum		A Mounting Hole Dia.		Finished Fit Panel Thickness*				C Head Diameter		D Overall Height				
in.	mm.	in.	mm.	in.	mm.	in.	mm.	in.	mm.	in.	mm.	in.	mm.			
<b>For .875 (22,2 mm) Mounting Hole</b>																
.280	7,1	.330	8,4	.875	22,2	.094	2,4	<b>1063</b>	LTBSR 875-094-330	1.29	32,8	.99	25,1	<b>0029</b>	<b>0029A**</b>	2509
						.188	4,8	<b>1064</b>	LTBSR 875-188-330							
.330	8,4	.440	11,2	.875	22,2	.094	2,4	<b>1065</b>	LTBSR 875-094-440							
						.188	4,8	<b>1066</b>	LTBSR 875-188-440							

Standard color black.

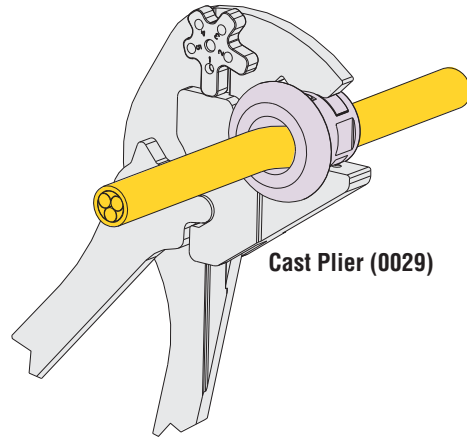
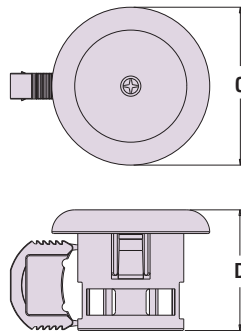
\* Maximum Panel Thickness. Part has additional clearance.

\*\* Nylon Adaptor (0029A) included for Alternate Plier Crimping Method, but not required for Cast Plier Method –

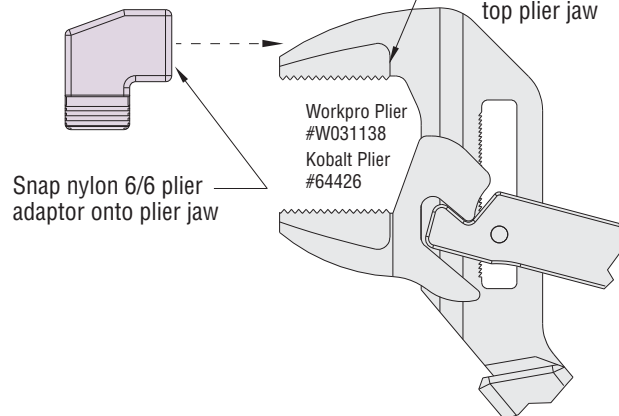
Nylon Adaptor (0029A) compatible with 10" pliers, either Workpro item #W031138 or Kobalt item #64426 (available commercially).

- These low profile co-molded nylon and elastomer parts function as a Liquid Tight Strain Relief with a cable.
- cULus approved under UL 514B.
- Low profile design: height above panel is less than .188" (4,8mm).
- Can be pre-assembled to the cable prior to installation.
- Assembles to cables with a simple hand plier for easy installation.
- Smooth, rounded interior edges for ease of installation.
- **Fast and easy installation.**
- Available in multiple sizes for cable diameters ranging from .280" (7,1 mm) to .440" (11,2 mm).
- We recommend using the fitting with the smallest maximum diameter that will fit your application.
- Meet UL strain relief requirements without bending or kinking the cable.
- Special colors available—consult Heyco.

**-Patent Pending**



Nylon Adaptor (0029A)



Quick Specs

Material	Nylon 6/6 w/TPE Top
Certifications	cULus Listed under Underwriters' Laboratories File E51579
Flammability Rating	94V-0
Temperature Range	-40°F (-40°C) to 212°F (100°C)
IP Rating	IP 65, 66, 67 and 68 (IP 68 is 25psi for 24hrs)