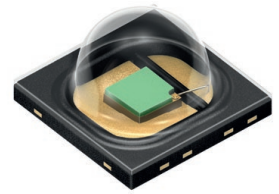


# SFH 4736

## OSLON® Black

OSLON Black (IR broad band emitter) - 80°



### Applications

- Infrared Spectroscopy

### Features:

- Package: clear silicone
- Corrosion Robustness Class: 3B
- ESD: 2 kV acc. to ANSI/ESDA/JEDEC JS-001 (HBM, Class 2)
- Spectral range of emission: (typ) 650 ... 1050 nm
- Radiant intensity ( $\lambda = 600 - 1050 \text{ nm}$ ): typ. 11 mW/sr
- Viewing angle of 80°
- Low thermal resistance (Max. 9 K/W)

### Ordering Information

Type	Total radiant flux <sup>1)</sup> typ. $I_F = 350 \text{ mA}; \lambda = 600 \text{ nm} - 1050 \text{ nm}; t_p = 20 \text{ ms}$ $\Phi_e$	Ordering Code
SFH 4736	23 mW	Q65112A0833

## Maximum Ratings

$T_A = 25\text{ °C}$

Parameter	Symbol		Values
Operating temperature	$T_{op}$	min. max.	-40 °C 85 °C
Storage temperature	$T_{stg}$	min. max.	-40 °C 85 °C
Junction temperature	$T_j$	max.	125 °C
Forward current	$I_F$	max.	500 mA
Surge current $t_p \leq 1\text{ ms}; D = 0$	$I_{FSM}$	max.	1 A
Reverse current <sup>2)</sup>	$I_R$	max.	200 mA
Power consumption	$P_{tot}$	max.	1900 mW
ESD withstand voltage acc. to ANSI/ESDA/JEDEC JS-001 (HBM, Class 2)	$V_{ESD}$	max.	2 kV

For the forward current and power consumption please see “maximum permissible forward current” diagram

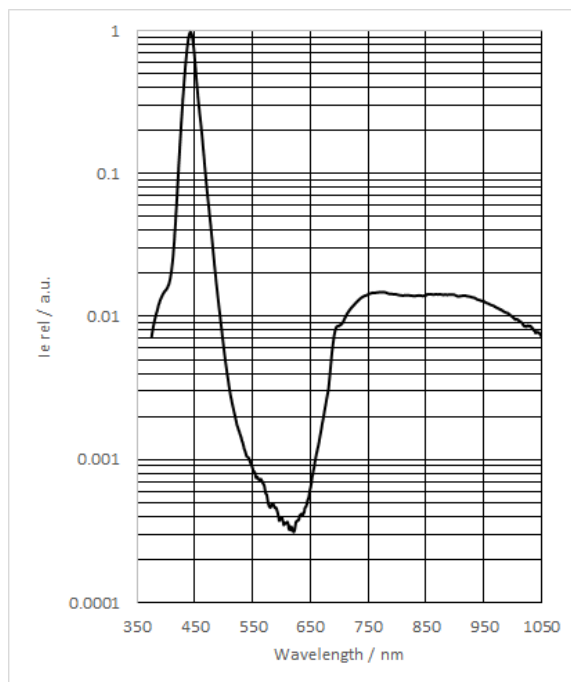
## Characteristics

$I_F = 350 \text{ mA}$ ;  $t_p = 25 \text{ ms}$ ;  $T_A = 25 \text{ °C}$

Parameter	Symbol	Values	Values
Half angle	$\varphi$	typ.	40 °
Forward voltage	$V_F$	typ. max.	2.95 V 3.5 V
Forward voltage $I_F = 500 \text{ mA}$ ; $t_p = 100 \text{ }\mu\text{s}$	$V_F$	typ. max.	3 V 3.8 V
Reverse voltage <sup>2)</sup> $I_R = 20 \text{ mA}$	$V_R$	max.	1.2 V
Reverse voltage (ESD device) <sup>2)</sup>	$V_{R\text{ESD}}$	min.	45 V
Radiant intensity $\lambda = 350 - 600 \text{ nm}$	$I_e$	typ.	60 mW/sr
Radiant intensity $\lambda = 600 - 1050 \text{ nm}$	$I_e$	typ.	11 mW/sr
Radiant intensity $I_F = 500 \text{ mA}$ ; $t_p = 10 \text{ ms}$ ; $\lambda = 350 - 600 \text{ nm}$	$I_e$	typ.	85 mW/sr
Radiant intensity $I_F = 500 \text{ mA}$ ; $t_p = 10 \text{ ms}$ ; $\lambda = 600 - 1050 \text{ nm}$	$I_e$	typ.	14 mW/sr
Total radiant flux <sup>1)</sup> $\lambda = 350 - 600 \text{ nm}$	$\Phi_e$	typ.	120 mW
Total radiant flux <sup>1)</sup> $\lambda = 600 - 1050 \text{ nm}$	$\Phi_e$	typ.	23 mW
Total radiant flux <sup>1)</sup> $I_F = 500 \text{ mA}$ ; $t_p = 10 \text{ ms}$ ; $\lambda = 350 - 600 \text{ nm}$	$\Phi_e$	typ.	160 mW
Total radiant flux <sup>1)</sup> $I_F = 500 \text{ mA}$ ; $t_p = 10 \text{ ms}$ ; $\lambda = 600 - 1050 \text{ nm}$	$\Phi_e$	typ.	29 mW
Spectral flux $\lambda = 750 \text{ nm}$	$\Phi_{e,\lambda}$	typ.	65 $\mu\text{W/nm}$
Spectral flux $\lambda = 850 \text{ nm}$	$\Phi_{e,\lambda}$	typ.	63 $\mu\text{W/nm}$
Spectral flux $\lambda = 950 \text{ nm}$	$\Phi_{e,\lambda}$	typ.	60 $\mu\text{W/nm}$
Thermal resistance junction solder point real <sup>3)</sup>	$R_{\text{thJS}}$	max.	9.0 K / W

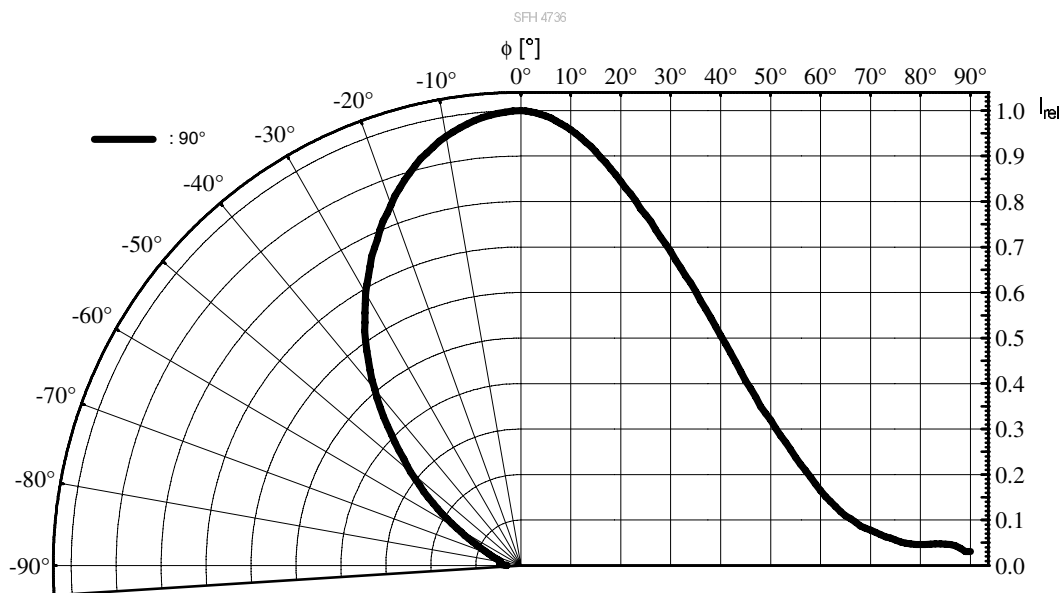
### Relative Spectral Emission <sup>4), 5)</sup>

$I_{rel} = f(\lambda); I_F = 350 \text{ mA}; t_p = 25 \text{ ms}$



### Radiation Characteristics <sup>4), 5)</sup>

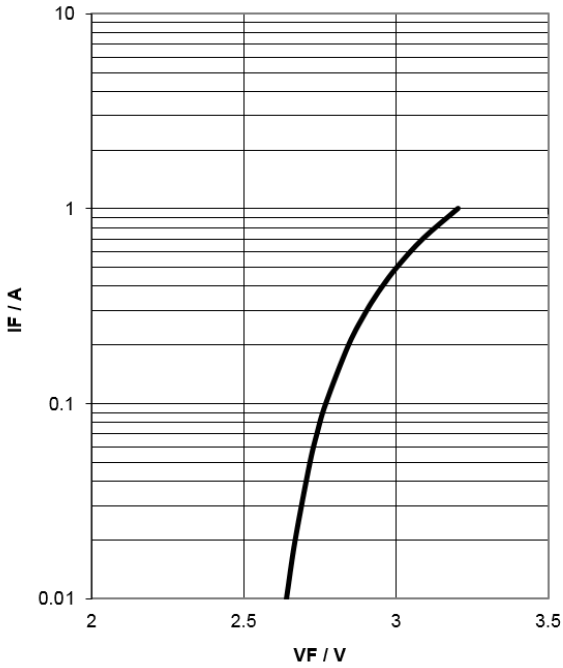
$I_{rel} = f(\phi)$



Preliminary datasheet version

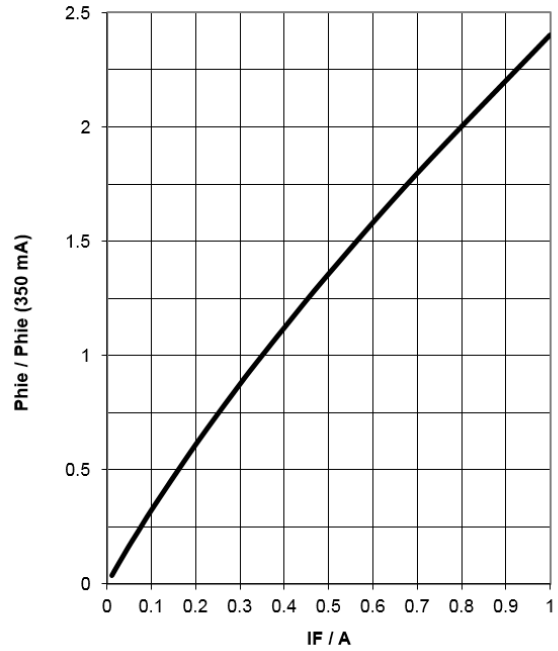
**Forward current** 4), 5)

$I_F = f(V_F)$ ; single pulse;  $t_p = 100 \mu s$



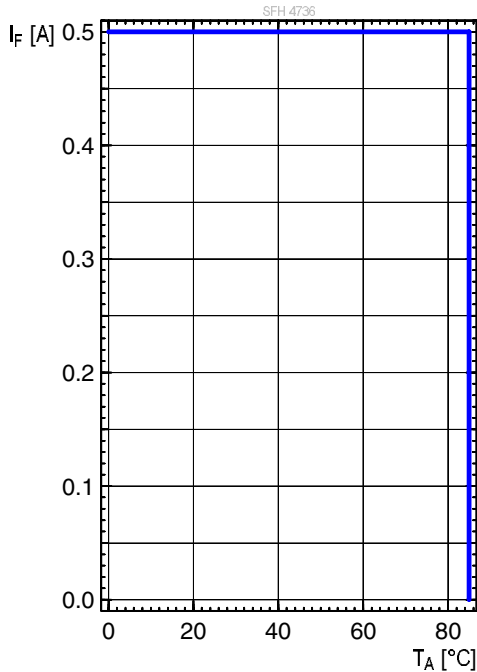
**Relative Total Radiant Flux** 4), 5)

$\Phi_e / \Phi_e(350mA) = f(I_F)$ ; single pulse;  $t_p = 100 \mu s$



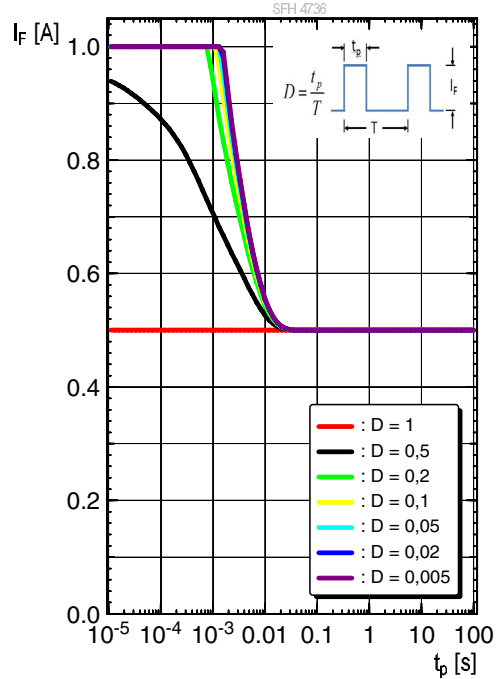
**Max. Permissible Forward Current**

$I_{F,max} = f(T_S)$ ;  $R_{thJS} = 9.0 K / W$



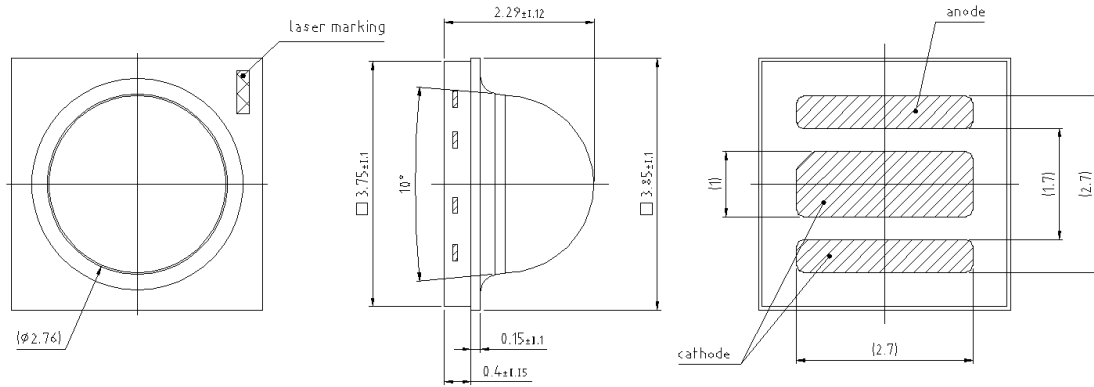
**Permissible Pulse Handling Capability**

$I_F = f(t_p)$ ; duty cycle  $D = \text{parameter}$ ;  $T_S = 85^\circ C$



Preliminary datasheet version

**Dimensional Drawing** <sup>6)</sup>

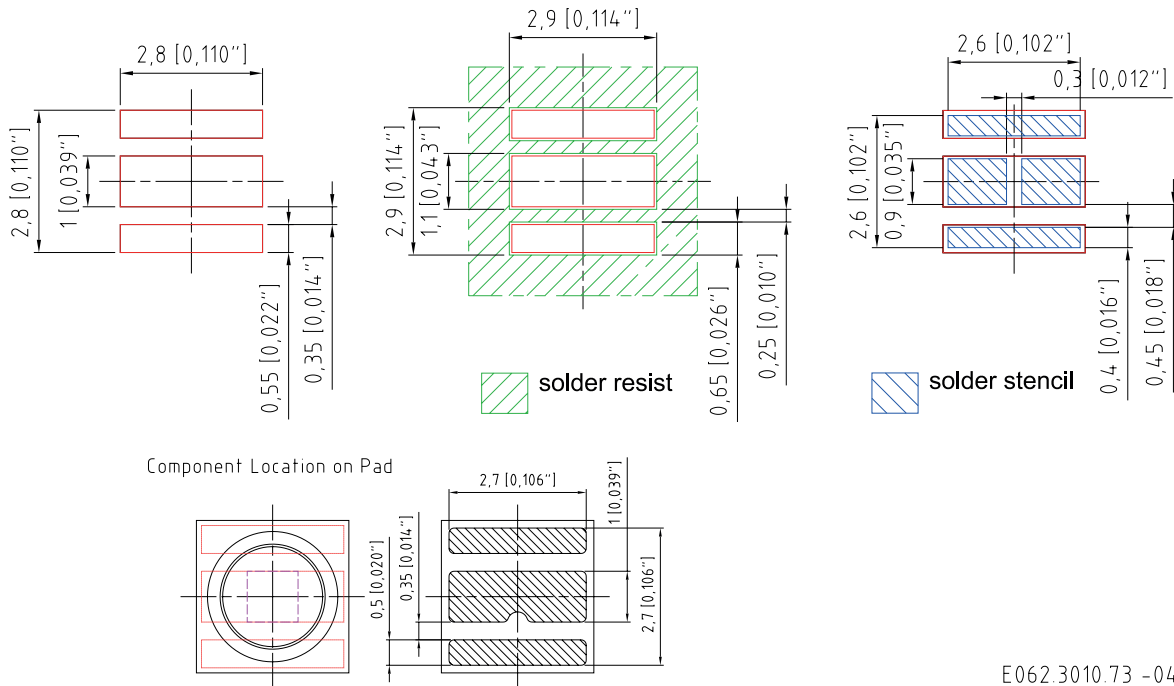


general tolerance  $\pm 0.1$   
 lead finish Au

C63-062-A4-068-A10-02

<b>Approximate Weight:</b>	32.0 mg
<b>Package marking:</b>	Anode
<b>Corrosion test:</b>	Class: 3B Test condition: 40°C / 90 % RH / 15 ppm H <sub>2</sub> S / 14 days (stricter than IEC 60068-2-43)
<b>ESD advice:</b>	The device is protected by ESD device which is connected in parallel to the Chip.

**Recommended Solder Pad** <sup>6)</sup>

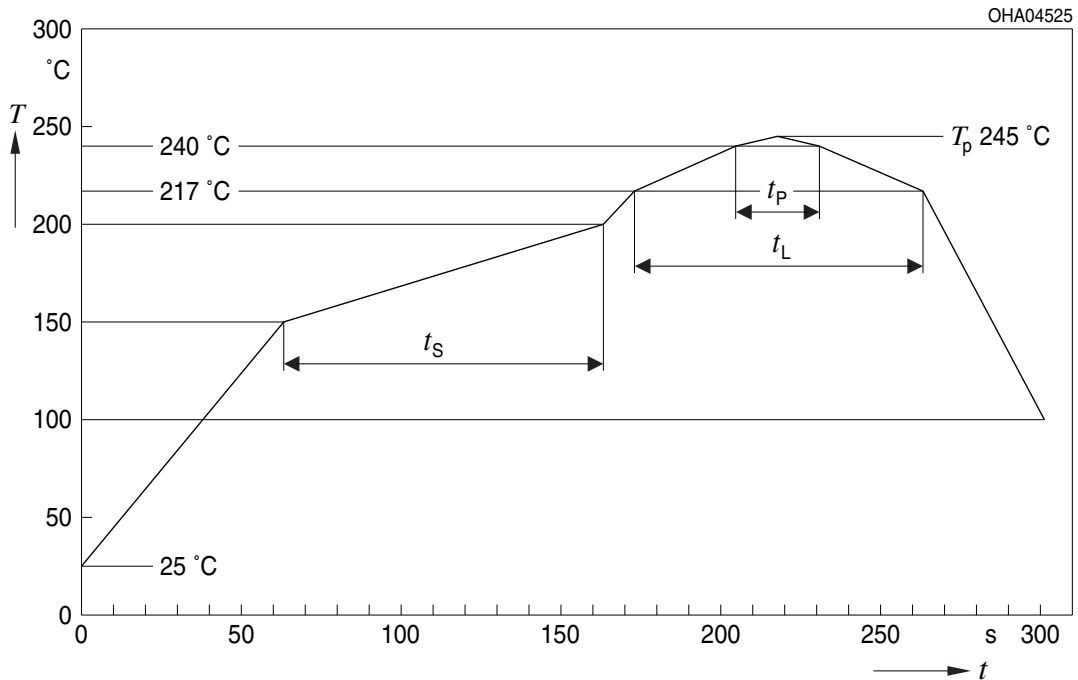


E062.3010.73 -04

For superior solder joint connectivity results we recommend soldering under standard nitrogen atmosphere.

**Reflow Soldering Profile**

Product complies to MSL Level 2 acc. to JEDEC J-STD-020E

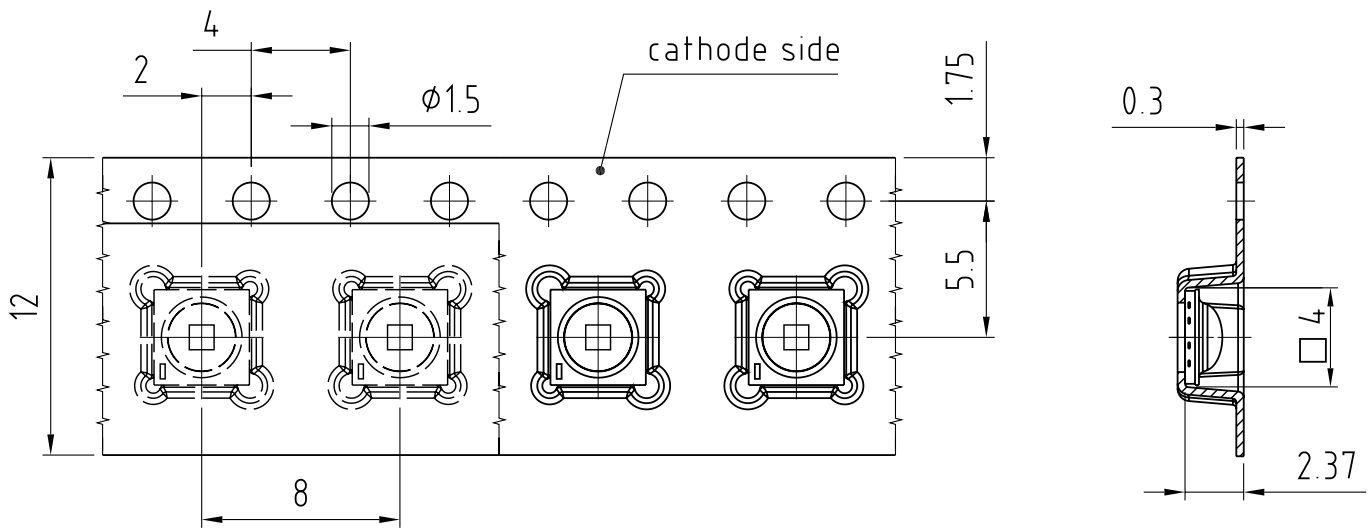


Preliminary datasheet version

Profile Feature	Symbol	Pb-Free (SnAgCu) Assembly			Unit
		Minimum	Recommendation	Maximum	
Ramp-up rate to preheat*) 25 °C to 150 °C			2	3	K/s
Time $t_s$ $T_{Smin}$ to $T_{Smax}$	$t_s$	60	100	120	s
Ramp-up rate to peak*) $T_{Smax}$ to $T_p$			2	3	K/s
Liquidus temperature	$T_L$		217		°C
Time above liquidus temperature	$t_L$		80	100	s
Peak temperature	$T_p$		245	260	°C
Time within 5 °C of the specified peak temperature $T_p - 5$ K	$t_p$	10	20	30	s
Ramp-down rate* $T_p$ to 100 °C			3	6	K/s
Time 25 °C to $T_p$				480	s

All temperatures refer to the center of the package, measured on the top of the component  
 \* slope calculation  $DT/Dt$ :  $Dt$  max. 5 s; fulfillment for the whole T-range

**Taping** <sup>6)</sup>

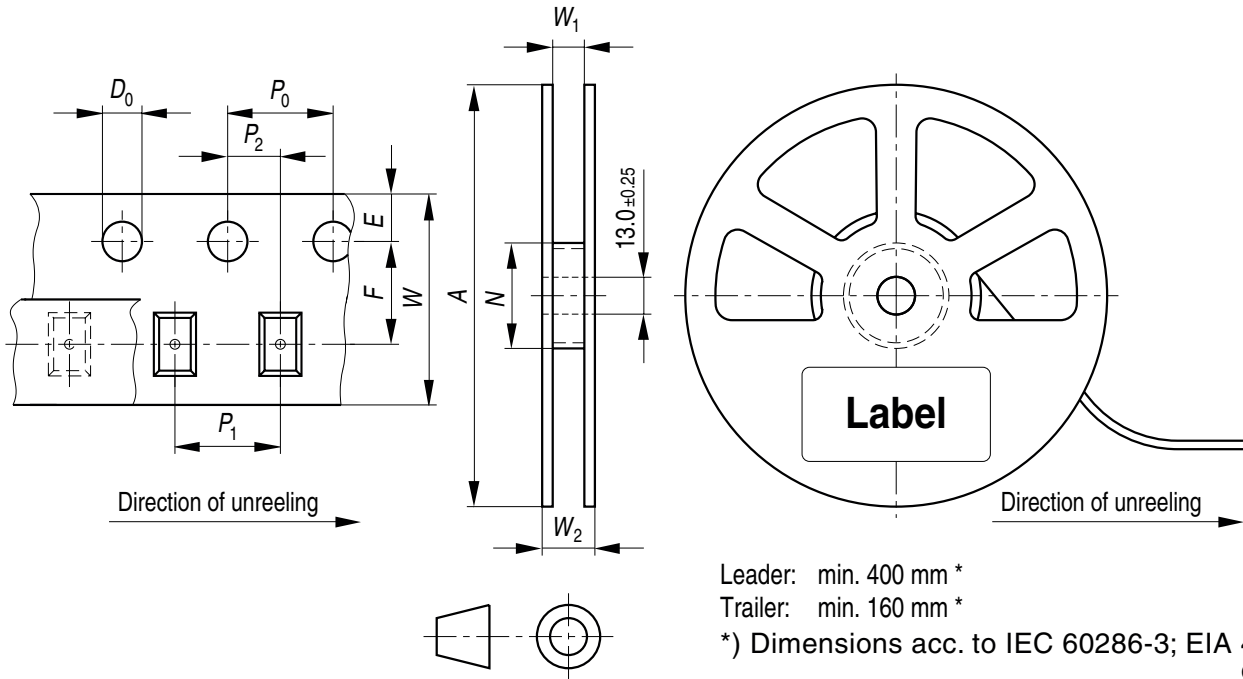


C63062-A4068-B16-01

Preliminary datasheet version



**Tape and Reel** <sup>7)</sup>



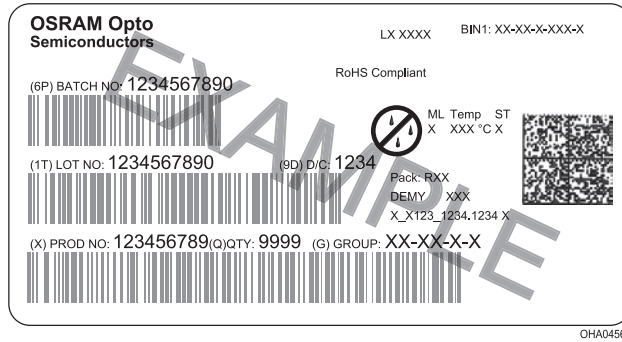
Leader: min. 400 mm \*  
 Trailer: min. 160 mm \*

\*) Dimensions acc. to IEC 60286-3; EIA 481-D  
 OHAY0324

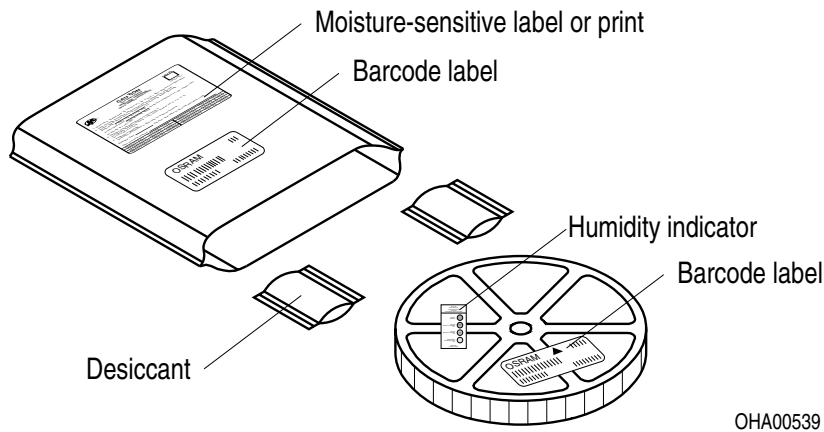
**Reel dimensions [mm]**

A	W	N <sub>min</sub>	W <sub>1</sub>	W <sub>2 max</sub>	Pieces per PU
180 mm	8 + 0.3 / - 0.1	60	8.4 + 2	14.4	600

## Barcode-Product-Label (BPL)

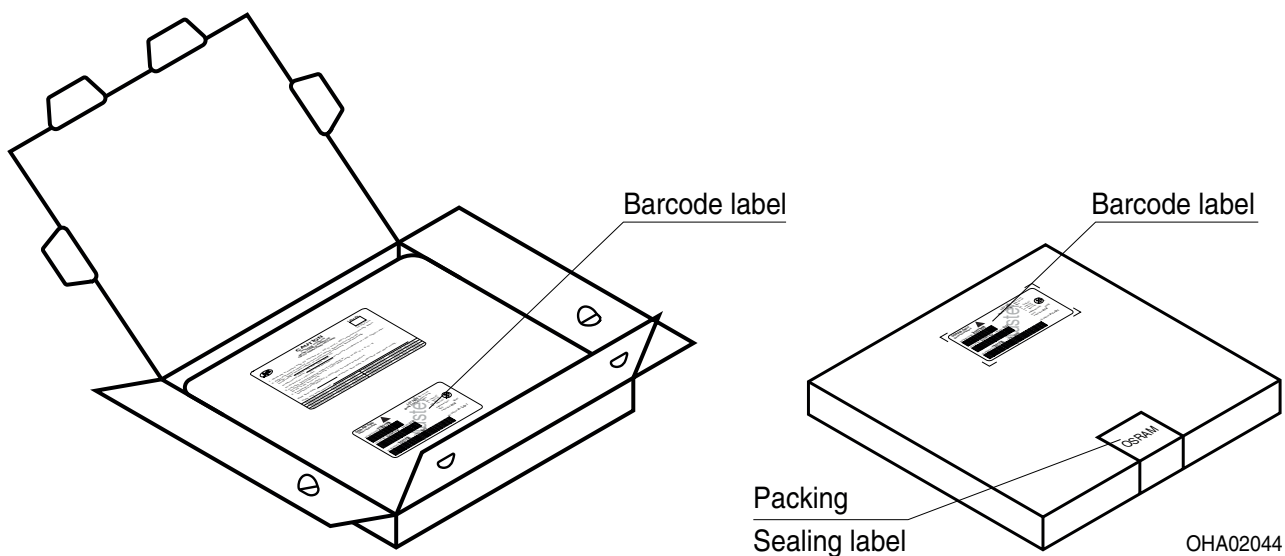


## Dry Packing Process and Materials <sup>6)</sup>



Moisture-sensitive product is packed in a dry bag containing desiccant and a humidity card according JEDEC-STD-033.

## Transportation Packing and Materials <sup>6)</sup>



### Dimensions of transportation box in mm

Width	Length	Height
200 ± 5 mm	195 ± 5 mm	30 ± 5 mm

---

## Notes

The evaluation of eye safety occurs according to the standard IEC 62471:2006 (photo biological safety of lamps and lamp systems). Within the risk grouping system of this IEC standard, the device specified in this data sheet falls into the class **moderate risk (exposure time 0.25 s)**. Under real circumstances (for exposure time, conditions of the eye pupils, observation distance), it is assumed that no endangerment to the eye exists from these devices. As a matter of principle, however, it should be mentioned that intense light sources have a high secondary exposure potential due to their blinding effect. When looking at bright light sources (e.g. headlights), temporary reduction in visual acuity and afterimages can occur, leading to irritation, annoyance, visual impairment, and even accidents, depending on the situation.

Subcomponents of this device contain, in addition to other substances, metal filled materials including silver. Metal filled materials can be affected by environments that contain traces of aggressive substances. Therefore, we recommend that customers minimize device exposure to aggressive substances during storage, production, and use. Devices that showed visible discoloration when tested using the described tests above did show no performance deviations within failure limits during the stated test duration. Respective failure limits are described in the IEC60810. Subcomponents of this device contain, in addition to other substances, metal filled materials including silver. Metal filled materials can be affected by environments that contain traces of aggressive substances. Therefore, we recommend that customers minimize device exposure to aggressive substances during storage, production, and use. Devices that showed visible discoloration when tested using the described tests above did show no performance deviations within failure limits during the stated test duration. Respective failure limits are described in the IEC60810.

For further application related informations please visit [www.osram-os.com/appnotes](http://www.osram-os.com/appnotes)

---

## Disclaimer

OSRAM OS assumes no liability whatsoever for any use of this document or its content by recipient including, but not limited to, for any design in activities based on this preliminary draft version. OSRAM OS may e.g. decide at its sole discretion to stop developing and/or finalising the underlying design at any time.

### Disclaimer

Language english will prevail in case of any discrepancies or deviations between the two language wordings.

### Attention please!

The information describes the type of component and shall not be considered as assured characteristics. Terms of delivery and rights to change design reserved. Due to technical requirements components may contain dangerous substances.

For information on the types in question please contact our Sales Organization.

If printed or downloaded, please find the latest version in the OSRAM OS Website.

### Packing

Please use the recycling operators known to you. We can also help you – get in touch with your nearest sales office.

By agreement we will take packing material back, if it is sorted. You must bear the costs of transport. For packing material that is returned to us unsorted or which we are not obliged to accept, we shall have to invoice you for any costs incurred.

### Product safety devices/applications or medical devices/applications

OSRAM OS components are not developed, constructed or tested for the application as safety relevant component or for the application in medical devices.

In case Buyer – or Customer supplied by Buyer– considers using OSRAM OS components in product safety devices/applications or medical devices/applications, Buyer and/or Customer has to inform the local sales partner of OSRAM OS immediately and OSRAM OS and Buyer and /or Customer will analyze and coordinate the customer-specific request between OSRAM OS and Buyer and/or Customer.

---

## Glossary

- 1) **Total radiant flux:** Measured with integrating sphere.
- 2) **Reverse Operation:** Reverse Operation of 10 hours is permissible in total. Continuous reverse operation is not allowed.
- 3) **Thermal resistance:** junction - soldering point, of the device only, mounted on an ideal heatsink (e.g. metal block)
- 4) **Typical Values:** Due to the special conditions of the manufacturing processes of semiconductor devices, the typical data or calculated correlations of technical parameters can only reflect statistical figures. These do not necessarily correspond to the actual parameters of each single product, which could differ from the typical data and calculated correlations or the typical characteristic line. If requested, e.g. because of technical improvements, these typ. data will be changed without any further notice.
- 5) **Testing temperature:**  $T_A = 25^\circ\text{C}$
- 6) **Tolerance of Measure:** Unless otherwise noted in drawing, tolerances are specified with  $\pm 0.1$  and dimensions are specified in mm.
- 7) **Tape and Reel:** All dimensions and tolerances are specified acc. IEC 60286-3 and specified in mm.

**Published by OSRAM Opto Semiconductors GmbH**  
**Leibnizstraße 4, D-93055 Regensburg**  
**www.osram-os.com © All Rights Reserved.**

EU RoHS and China RoHS compliant product



此产品符合欧盟 RoHS 指令的要求；  
按照中国的相关法规和标准，不含有毒有害物质或元素。