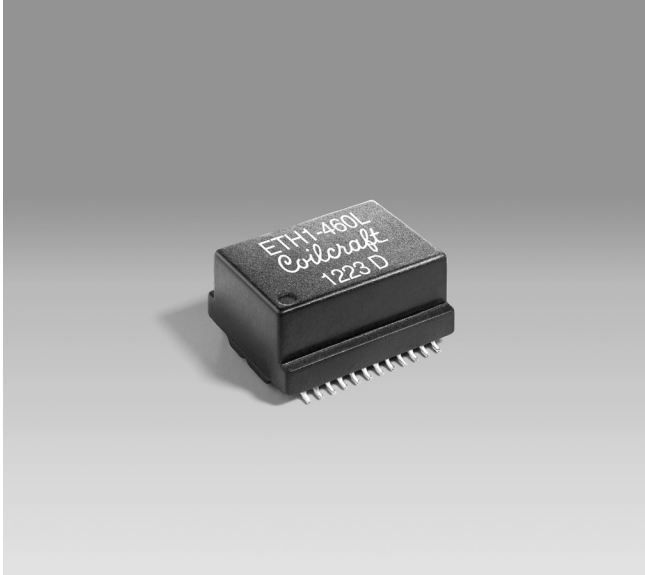


**NEW!**

"PoE Plus" Magnetics – ETH1-460



Core material Ferrite

Terminations RoHS compliant tin-silver-copper over tin over nickel over phos bronze

Weight 3.6 g

Ambient temperature -40°C to $+85^{\circ}\text{C}$

Storage temperature Component: -40°C to $+85^{\circ}\text{C}$.
Tape and reel packaging: -40°C to $+80^{\circ}\text{C}$

Resistance to soldering heat Max three 40 second reflows at $+260^{\circ}\text{C}$, parts cooled to room temperature between cycles

Moisture Sensitivity Level (MSL) 1 (unlimited floor life at $<30^{\circ}\text{C}$ / 85% relative humidity)

Failures in Time (FIT) / Mean Time Between Failures (MTBF)
60 per billion hours / 16,666,667 hours, calculated per Telcordia SR-332

Packaging 250/13" reel; Plastic tape: 32 mm wide, 0.5 mm thick, 24 mm pocket spacing, 10.6 mm pocket depth

PCB washing Only pure water or alcohol recommended

The **ETH1-460L₁** is developed for high power PoE applications in support of the goals of the IEEE 802.3at-2009 standard. This module is designed for 4-pair cabling plants at 60 Watts. It exceeds the return loss requirements of Gbit Ethernet.

This single component solution may be used in place of two ETH1-230 parts, saving valuable board space.

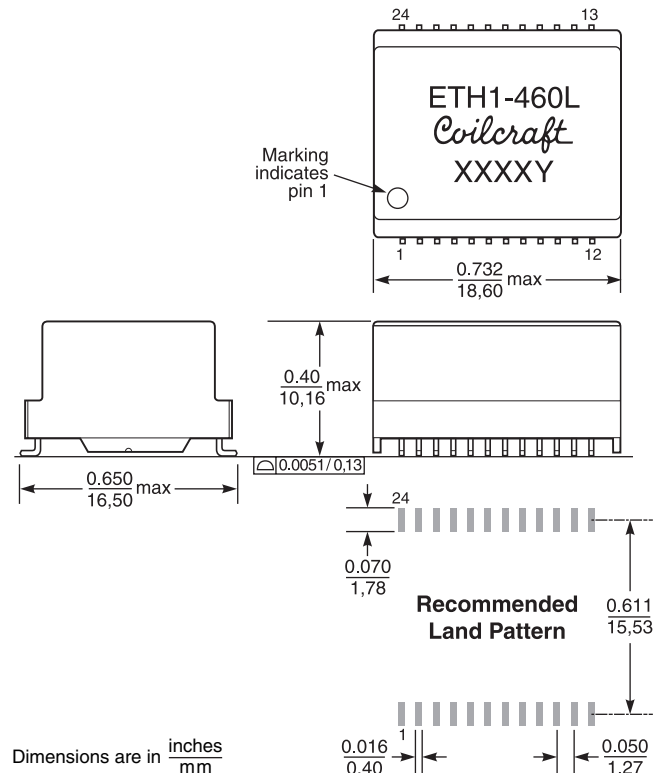
It has a minimum open-circuit inductance of $350\ \mu\text{H}$ at an offset current of 35 mA at 25°C ambient temperature, and can handle 22.5 mA minimum dc offset at 85°C . Typical temperature rise from 25°C ambient is 7°C with 800 mA and 10°C with 1000 mA dc current applied. Winding to winding isolation is 1500 Vrms. Ambient temperature range: -40°C to $+85^{\circ}\text{C}$ with 1 A current.

1. When ordering, please specify **packaging** code:

ETH1-460LD

Packaging: **D** = 13" machine-ready reel. EIA-481 embossed plastic tape. Factory order only, not stocked (250 parts per full reel).

B = Less than full reel. In tape, but not machine ready. To have a leader and trailer added (\$25 charge), use code letter D instead.

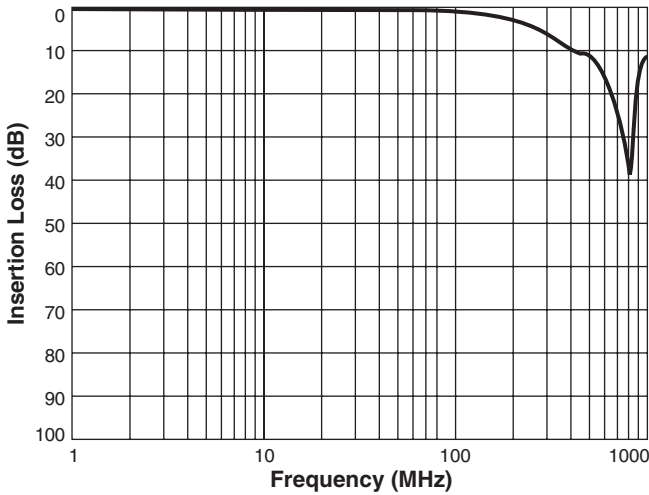




NEW!

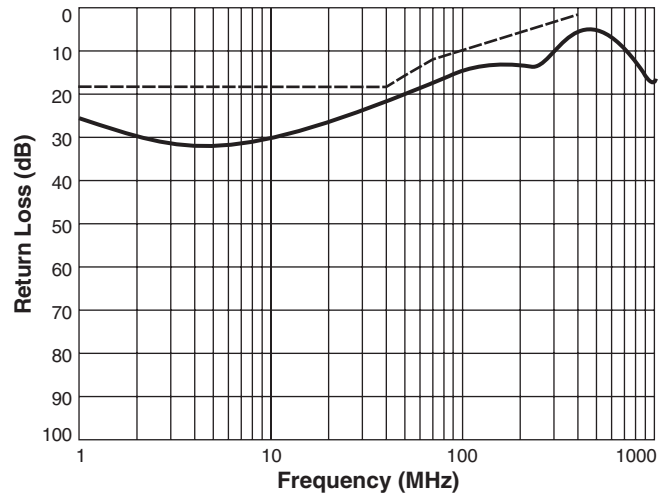
“PoE Plus” Magnetics – ETH1-460

Insertion Loss



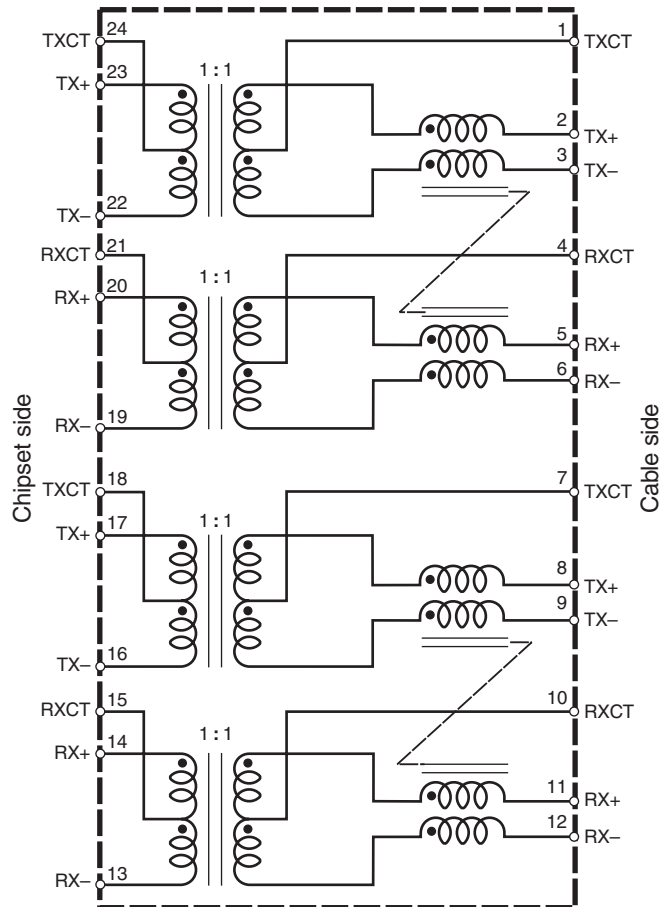
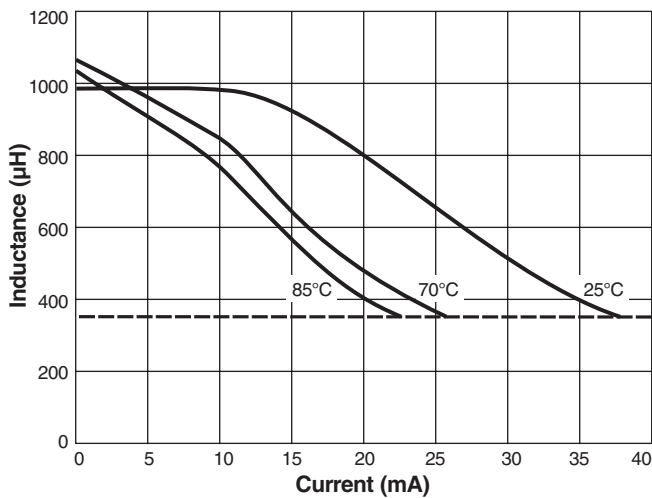
802.3af specification:
 1.0 min dB from 0.1 MHz to 100 MHz
 1.2 min dB at 125 MHz

Return Loss



802.3af specification:
 18 dB min from 1 MHz to 40 MHz
 16 dB min at 50 MHz
 12 dB min at 80 MHz
 10 dB min at 100 MHz

L vs Offset Current



US +1-847-639-6400 sales@coilcraft.com
UK +44-1236-730595 sales@coilcraft-europe.com
Taiwan +886-2-2264 3646 sales@coilcraft.com.tw
China +86-21-6218 8074 sales@coilcraft.com.cn
Singapore +65-6484 8412 sales@coilcraft.com.sg

Document 1008-2 Revised 10/09/12
 © Coilcraft Inc. 2012
 This product may not be used in medical or high risk applications without prior Coilcraft approval. Specification subject to change without notice. Please check out web site for latest information.