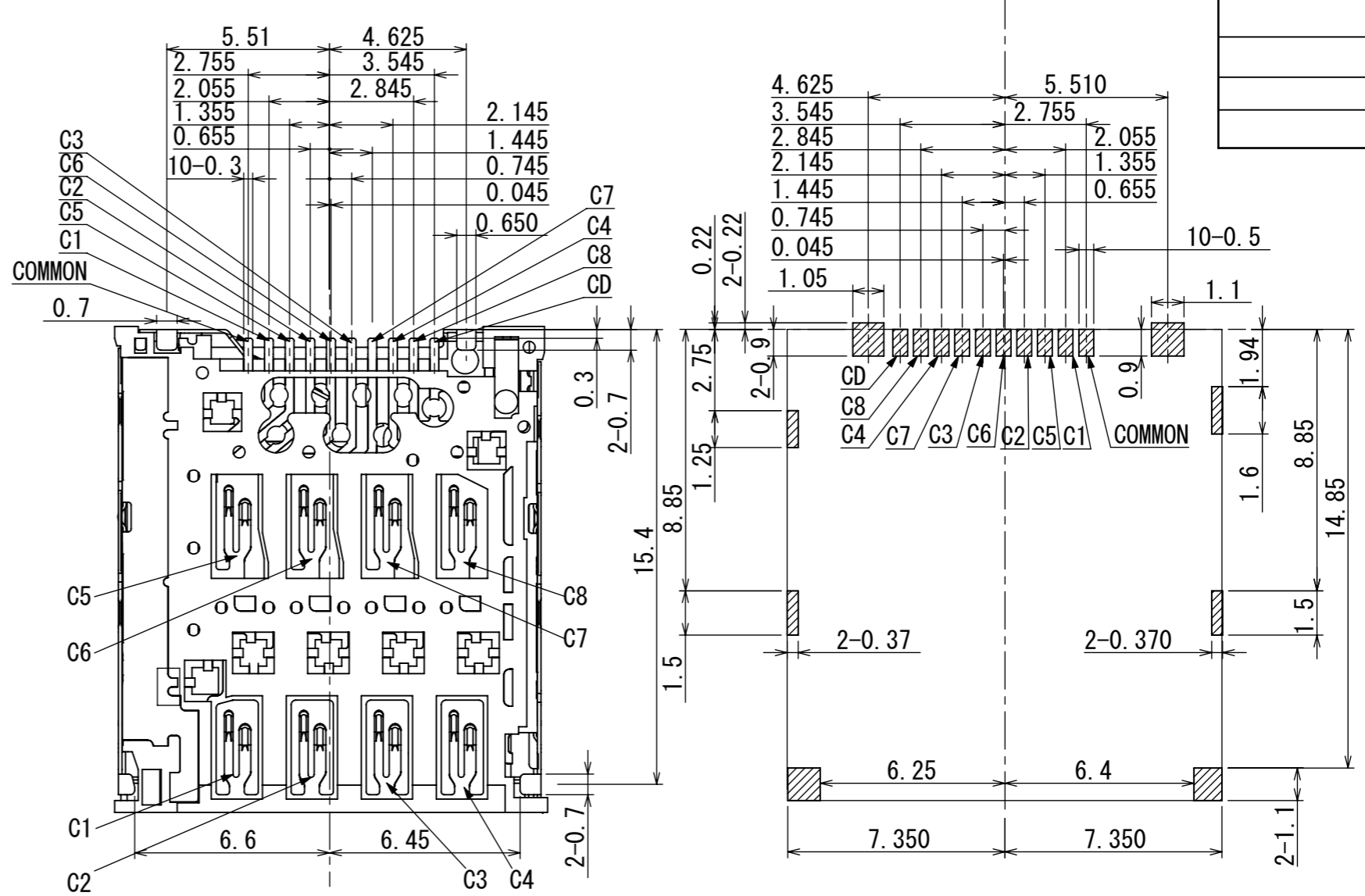
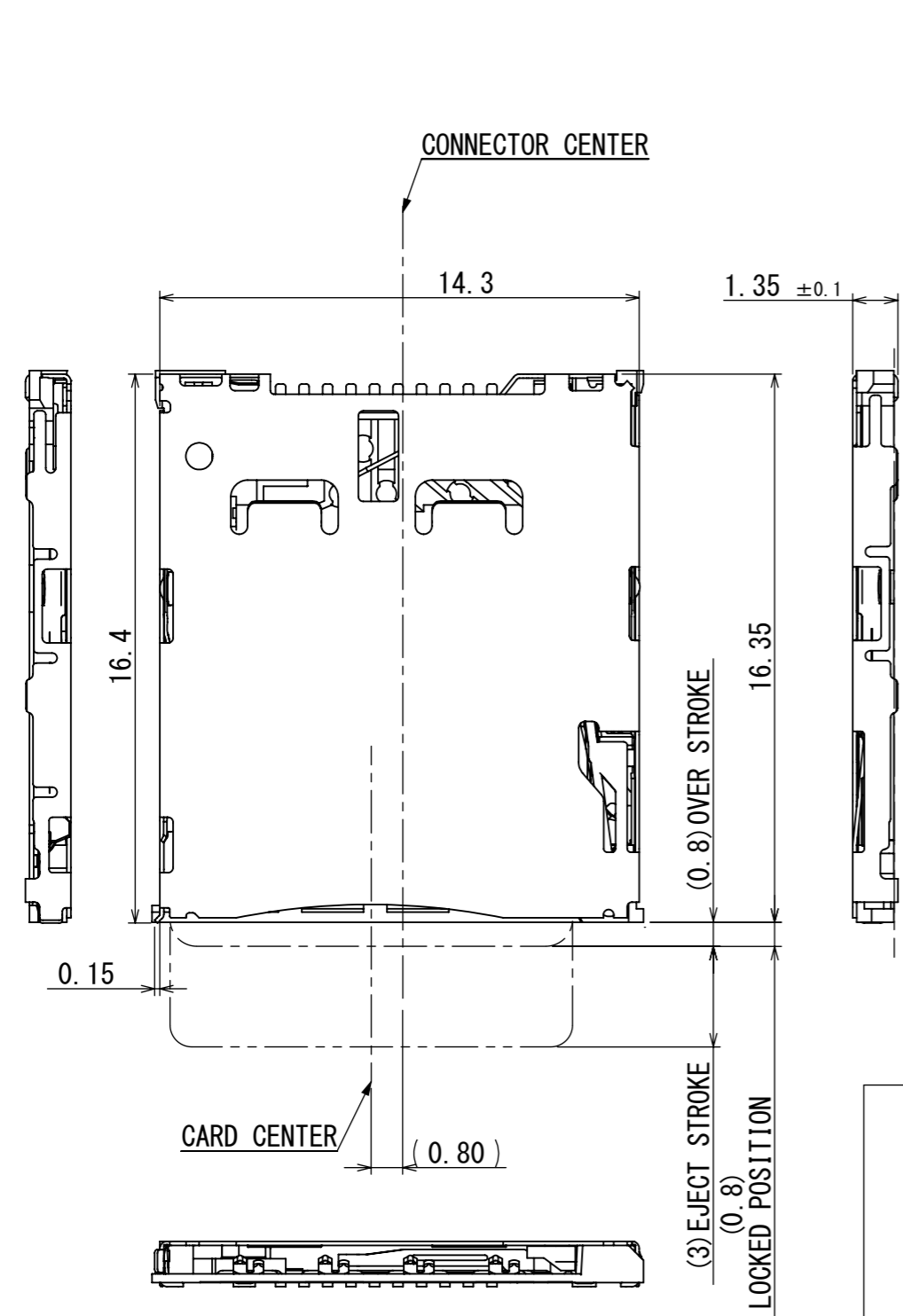
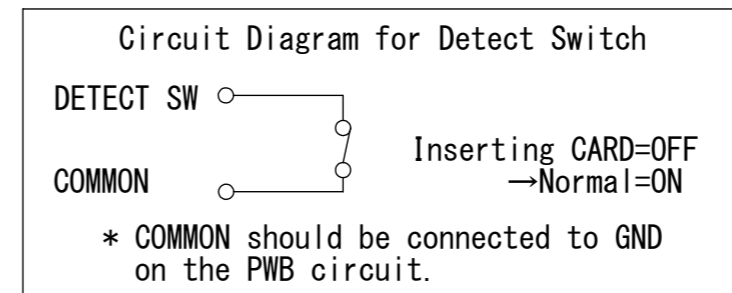
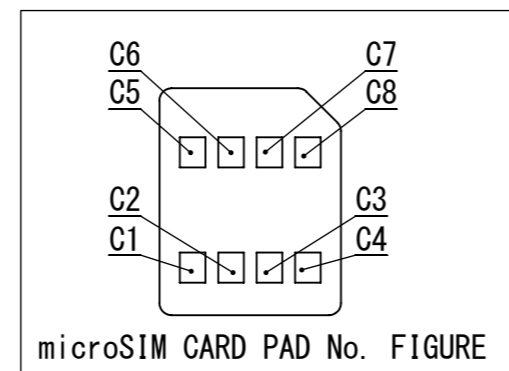


背景  
BACK GROUND  
SCGD1B0209



□: NO PATTERN AREA  
▨: LAND AREA

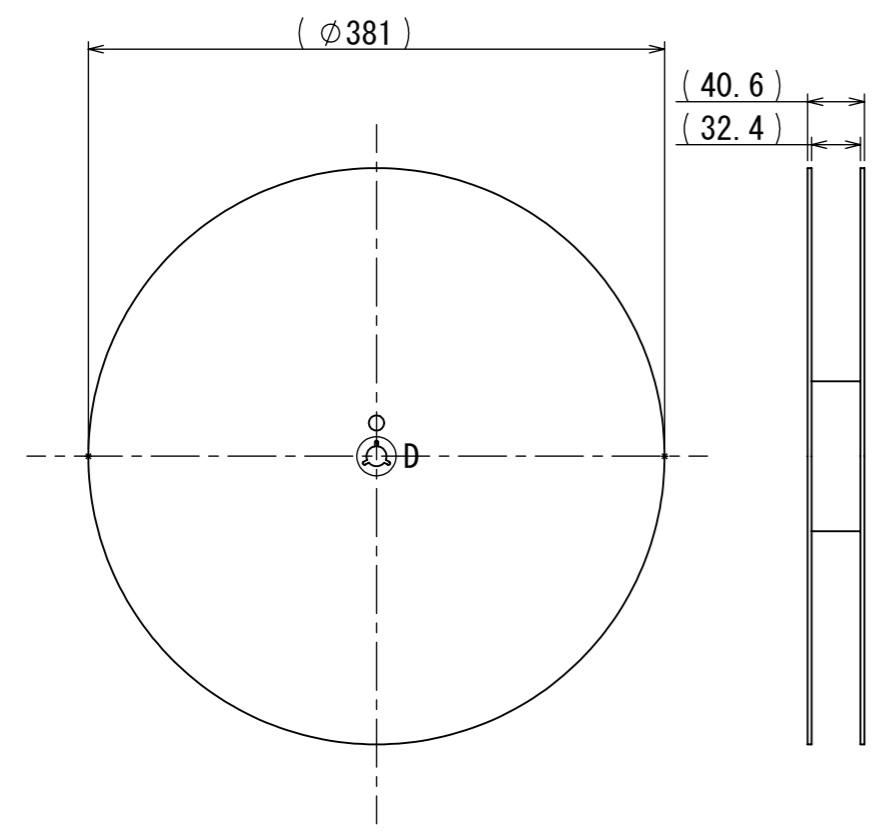


RECOMMENDED P. W. BOARD LAYOUT  
(MOUNTING FACE SIDE)  
ALL TOLERANCE UNDESCRIBED ARE ±0.05

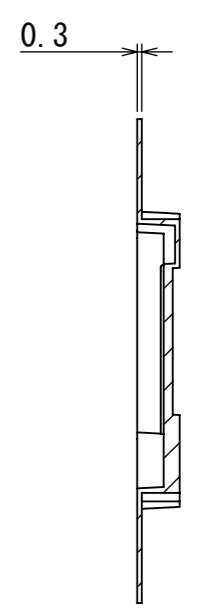
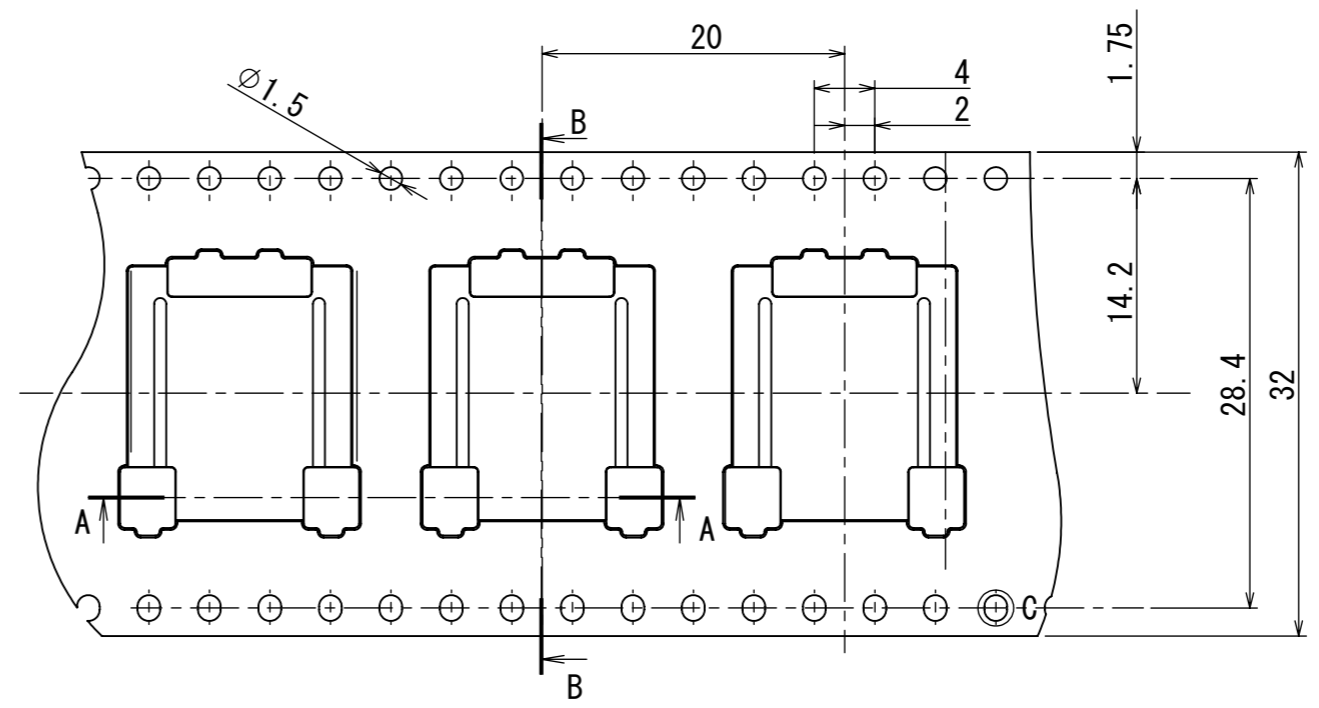
NOTE. 1. This connector is standard mount type  
2. This connector is push-push type  
3. All terminals coplanarity :0.1max. (initial)

TOLERANCES UNLESS OTHERWISE SPEC	
BASIC DIMENSIONS	TOLERANCES
UP TO 10	±0.3
ABOVE 10 TO 100	±0.5
ABOVE 100	±0.8
ANGULAR DIMENSION	±5°

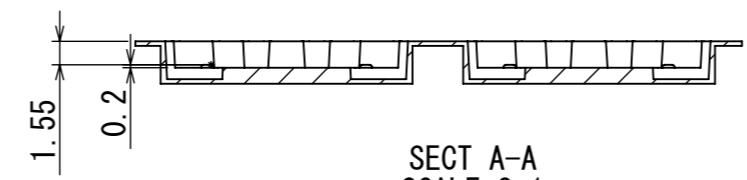
SYMB	DATE	APPD	CHKD	DSGD	<b>ALPS ELECTRIC CO., LTD.</b>		
					DSGD. JUL. 21. 2014	SCALE	NO.
					K. WANG		SCGD1B0209
					CHKD. Jul 21 2014 w. Oguchi		TITLE
					APPD. Jul 21 2014 w. Oguchi	UNIT	DOCUMENT NO.
					mm		SCGD1B0209, AE12, 00



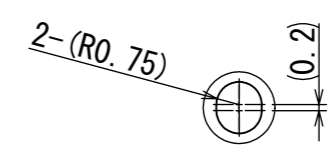
REEL CORE



SECT B-B SCALE 2:1

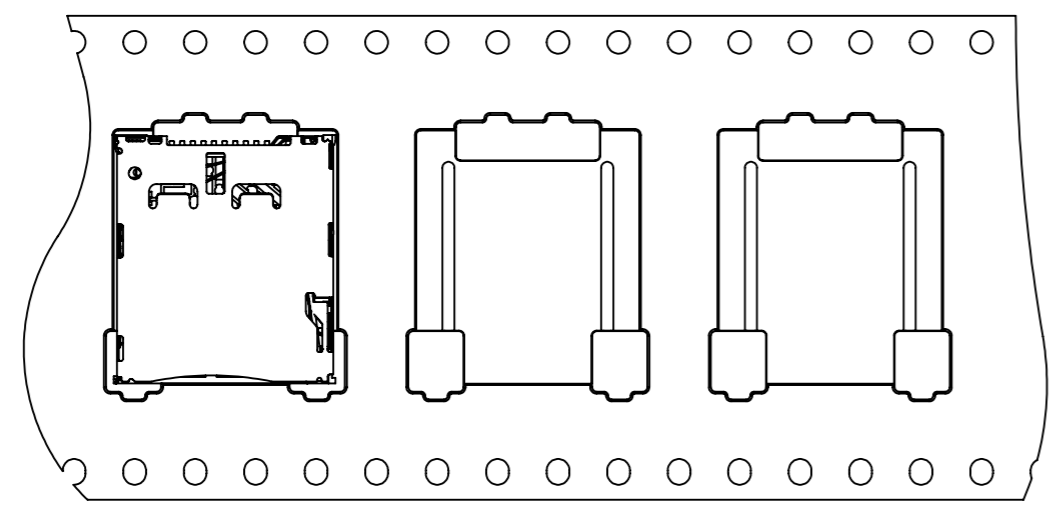


SECT A-A SCALE 2:1

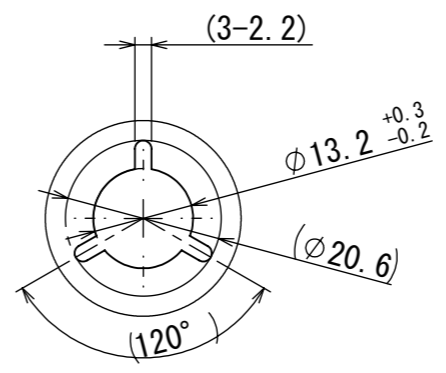


DETAIL C SCALE 4:1

FEED DIRECTION →



PRODUCT PACKING STATE



DETAIL D SCALE 1:1

2. 1600PCS/REEL  
 NOTE. 1. SPECIFICATION OF TAPING:TAPE-S-029

					<b>ALPS ELECTRIC CO., LTD.</b>		
					DSGD. JUL. 21. 2014	SCALE	NO.
					K. WANG		SCGD1B0209
					CHKD. Jul 21 2014 w. Oguchi		TITLE
					APPD. Jul 21 2014 w. Oguchi		PRODUCT DRAWINGS (2/2)
SYMB	DATE	APPD	CHKD	DSGD	UNIT	DOCUMENT NO.	
					mm	SCGD1B0209, AE22, 00	