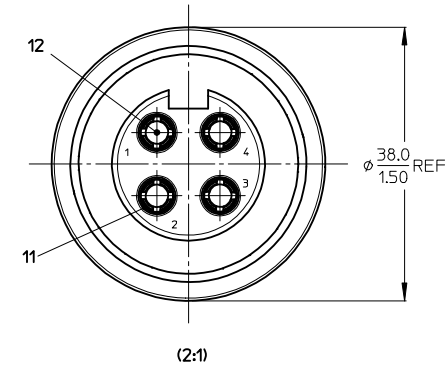
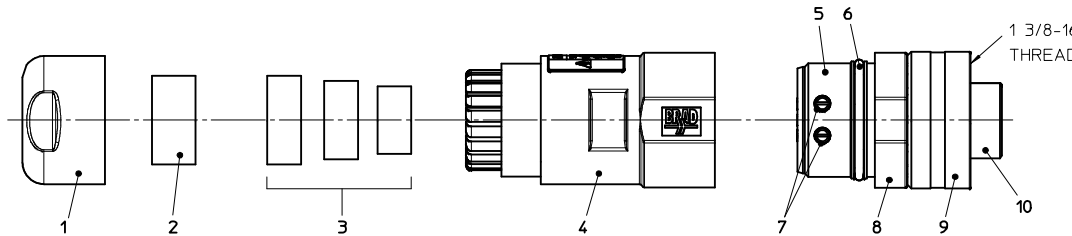
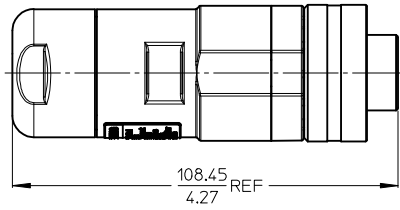
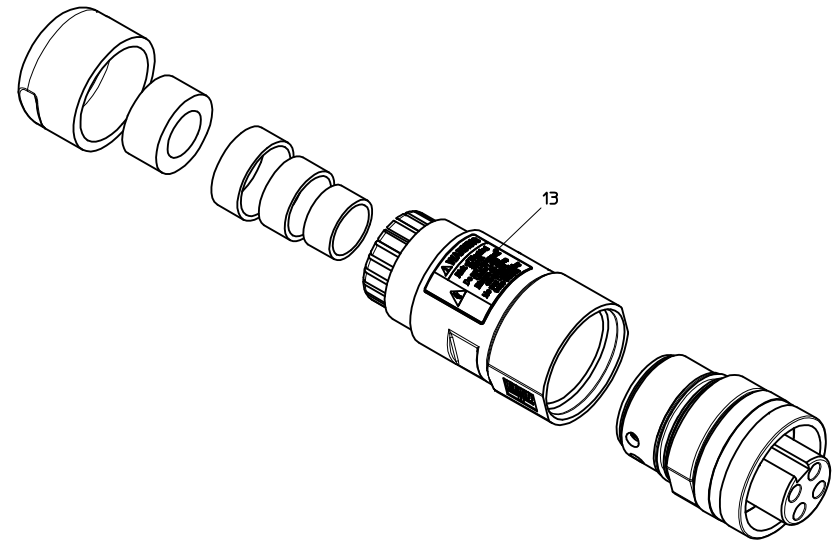


NOTES:

1. MATERIAL: SEE TABLE
2. FINISHES: SEE TABLE
3. PACKAGING: PART IS PACKED IN CLEAR POLY BAG WITH BARCODE LABEL ATTACHED
4. MATES WITH: BRAD MALE RECEPTACLE
5. WIRE RANGE: 8 AWG - 14 AWG (10mm² - 2.5mm²)
6. CABLE OD RANGE: .48 - .81 (12.2mm - 20.6mm)
7. ELECTRICAL SPECIFICATIONS:
 VOLTAGE RATING: 600V AC
 CURRENT RATING:
 8 AWG - 25 AMPS
 10 AWG - 25 AMPS
 12 AWG - 20 AMPS
 14 AWG - 15 AMPS
8. ENVIRONMENTAL PROTECTION: IP67, IP69K

MATERIAL NO.	ENGINEERING NO.
1300700023 (FINISHED PART)	CA4000-39
1203660006 (PRE-ASSEMBLED)	CA4000-39



ITEM	QTY	COMPONENT	MATERIAL	FINISH
1	1	NUT M32	PA66	BK
2	1	GASKET MD 14,8x12,25	CR	GY
3	3	GASKETS MD (SMALL/MEDIUM/LARGE)	CR	BK
4	1	HOUSING FA M32	PA66	BK
5	1	INSERT ADAPTER	PA66	BK
6	1	GASKET OR 29x2,5	NBR	BK
7	4	SCREW M4x10	V2A	-
8	1	COUPLING RING	PA66	BK
9	1	NUT, INTERNAL THREAD	AL	AN (NATURAL)
10	1	INSERT AC	PVC	-
11	4	SLEEVE	BRASS ALLOY	ZN
12	4	CONTACT 312MM FE	CU ALLOY	AU PLATED
13	1	WARNING LABEL	PLASTIC FILM	-
-	-	POTTING MATERIAL	WEVO RESIN PU 552 FL NATUR 50	-
-	-	MPIS RESIN HARDNER	-	-

ENTER DESCRIPTION EC NO: ICG2013-0453 DRW:RSCHIEBER 2012/10/10 CHKD:APOHL 2012/10/24 APPR:CBURGER 2012/11/21	QUALITY SYMBOLS ▽=0 ▽=0	GENERAL TOLERANCES (UNLESS SPECIFIED)		DIMENSION STYLE MM/IN		SCALE 1:1	DESIGN UNITS METRIC	THIRD ANGLE PROJECTION
		4 PLACES ± --- ± --- 3 PLACES ± --- ± --- 2 PLACES ± --- ± .010 1 PLACE ± 0.30 ± --- 0 PLACE ± --- ± ---	mm INCH ± --- ± --- ± .010 ± --- ± --- ± --- ± --- ± ---	DRAWN BY RSCHIEBER	DATE 2012/10/10	TITLE FA 4P AC FE STR UNSH		
1	REV	ANGLAR ±1/2° DRAFT WHERE APPLICABLE MUST REMAIN WITHIN DIMENSIONS		APPROVED BY CBURGER	DATE 2012/11/21	MATERIAL NO. SEE CHART		DOCUMENT NO. SD-120336-001
		THIS DRAWING CONTAINS INFORMATION THAT IS PROPRIETARY TO MOLEX INCORPORATED AND SHOULD NOT BE USED WITHOUT WRITTEN PERMISSION						