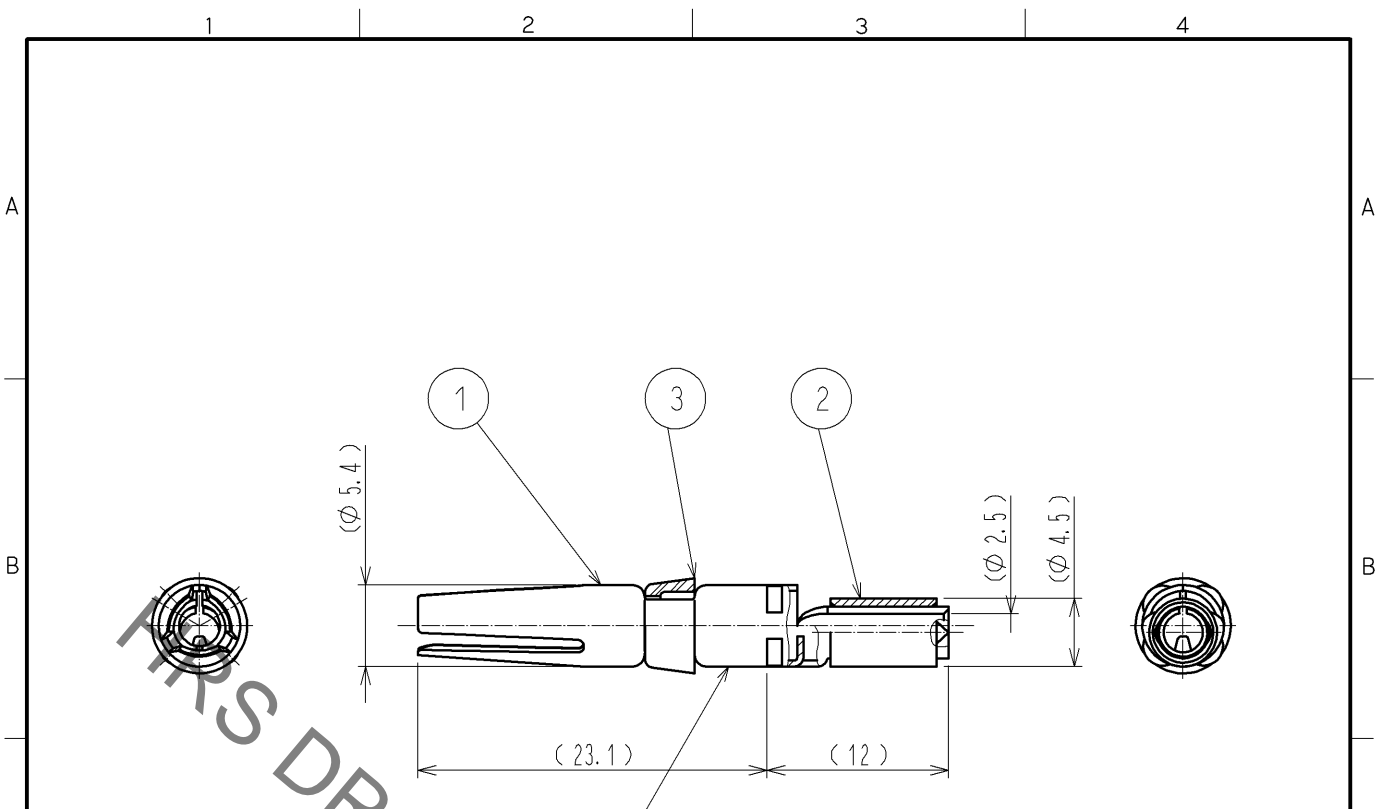


Jul.1.2019 Copyright 2019 HIROSE ELECTRIC CO., LTD. All Rights Reserved.
 In case of consideration for using Automotive equipment / device which demand high reliability, kindly contact our sales window correspondents.



MARKING POSITION APPLICABLE WIRE SIZE '14'

- NOTES
- 1 APPLICABLE CRIMPING TOOL: JIS C 9711 (COMPRESSION TOOLS FOR WIRE CONNECTORS OF INTERIOR WIRING)
APPLICABLE DIE SIZE: 2
 - 2 APPLICABLE EXTRACTION TOOL: HR41-TP
 - 3 ONE BAG INCLUDES 3PCS OF PRODUCTS.
 - 4 PLATING (REF. NO. ①)
CONTACT AREA: GOLD 0.2 μm min.
TERMINAL AREA: TIN 1 μm min.
OTHERS: NICKEL 2 μm min.
- ⚠ (DELETED)

2	COPPER	TIN PLATING						
1	COPPER ALLOY	4	3	POLYBUTYLENE TEREPHTHALATE (WHITE) UL94V-0				
NO.	MATERIAL	FINISH .	REMARKS	NO.	MATERIAL	FINISH .	REMARKS	
	UNITS mm		SCALE 2 : 1	COUNT 1	DESCRIPTION OF REVISIONS DIS-C-002929	DESIGNED KN. IKEHARA	CHECKED HY. KOBAYASHI	DATE 13. 09. 26
HIROSE ELECTRIC CO., LTD.		APPROVED : SU. OBARA		13. 01. 18	DRAWING NO. EDC4-117549-00			
		CHECKED : HY. KOBAYASHI		13. 01. 18	PART NO. HR41-SC-121			
		DESIGNED : TY. SUZUKI		13. 01. 18	CODE NO. CL141-0003-2-00			
		DRAWN : KN. IKEHARA		13. 01. 15	1/1			