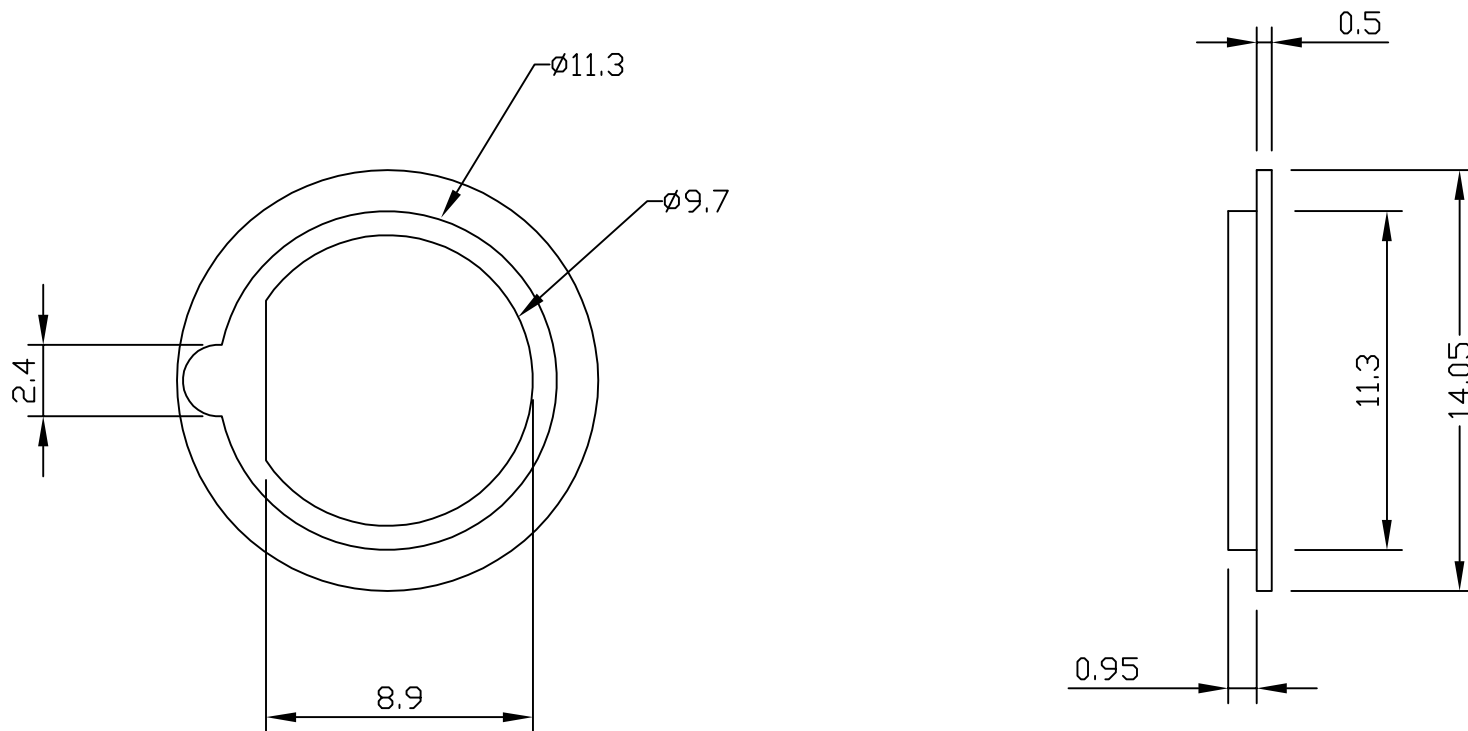


ROHS COMPLIANT
MATERIAL: NYLON



First Issue	JC	1	21 SEPT 11
DESCRIPTION OF REVISION	APPVD	ISS	DATE



Cinch Connectivity Solutions
7-13 Russell Way,
Widford Industrial Estate,
Chelmsford, Essex,
CM1 3AA, UK.
Tel: +44 (0) 1245 359515
Fax: +44 (0) 1245 358938

SCALE: 5:1
DIMENSIONS: mm
TOLERANCES:
 $\pm 0.2\text{mm}$ unless
otherwise stated

DRAWN BY:	J.CRACKNELL
CHECKED BY:	M. SPOONER
APPROVED BY:	M.SPOONER
DATE:	21 SEPT 11

TITLE:
**ISOLATING
WASHER**

PART NUMBER:
VIW-1094
PAGE: 1 of 1