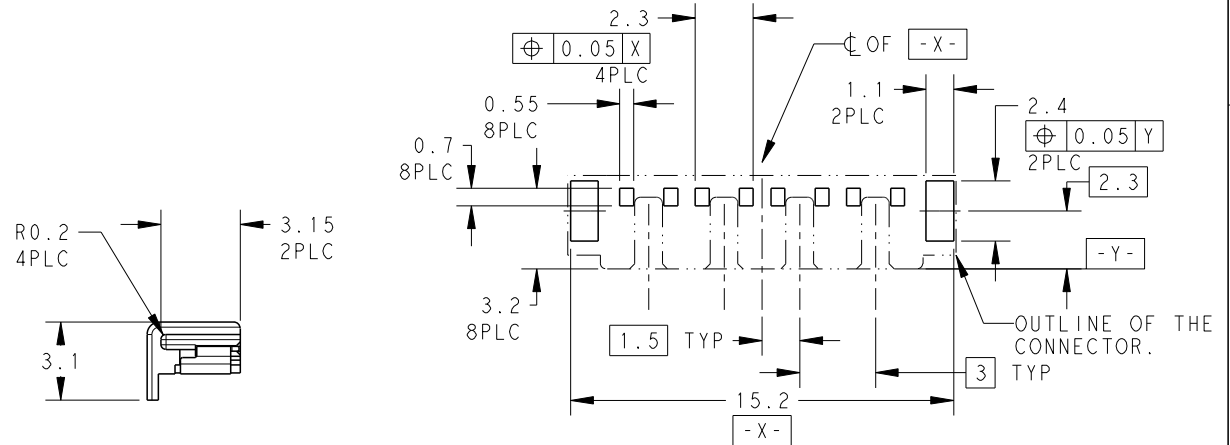
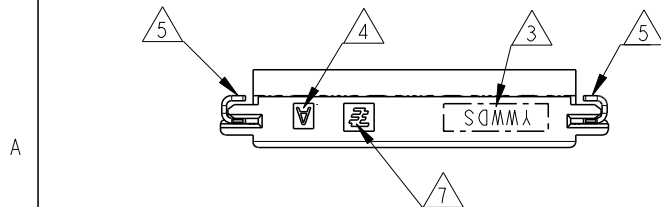
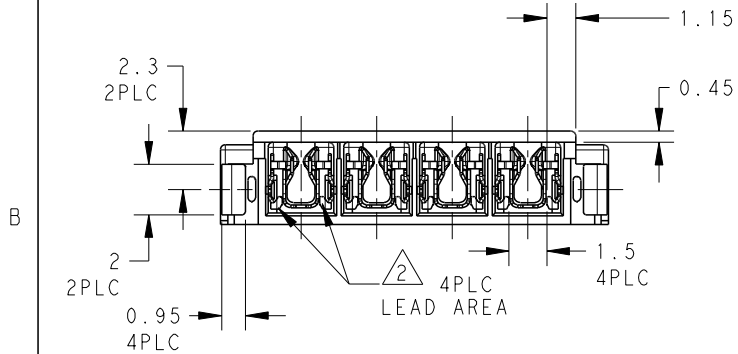
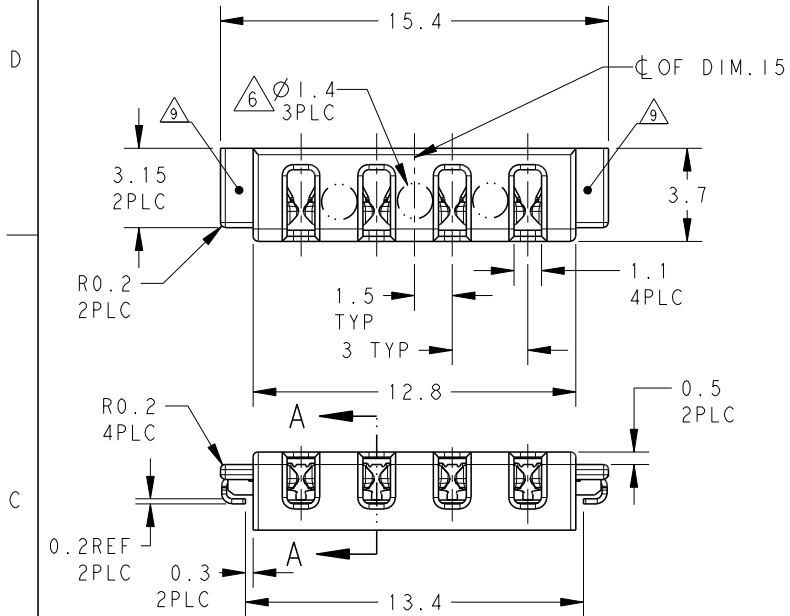


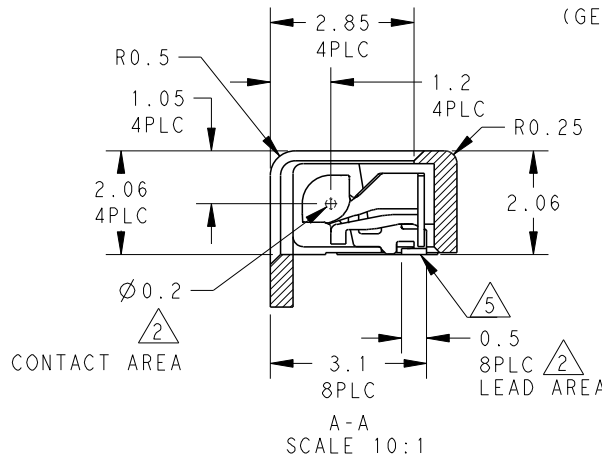
THIS DRAWING IS UNPUBLISHED. RELEASED FOR PUBLICATION  
 (C) COPYRIGHT 19 ALL RIGHTS RESERVED.

LOC	DIST	REVISIONS					
		P	LTR	DESCRIPTION	DATE	DWN	APVD
DS	-		A	RELEASED	09JUN2011	JH.G	BW.K



REFERENCE P.C BOARD LAYOUT  
 (GENERAL TOLERANCE: ±0.05, SCALE 5:1)

- △ MATERIAL CONTACT: COPPER ALLOY
- HOUSING: THERMO PLASTICS UL94 HB, BLACK
- SOLDER PEG: COPPER ALLOY
- △ FINISH CONTACT: NICKEL ALL OVER UNDER PLATING
- GOLD PLATING AT CONTACT AREA 0.5um MIN.
- GOLD FLASH PLATING AT LEAD AREA
- SOLDER PEG: NICKEL ALL OVER UNDER PLATING
- TIN PLATING ALL OVER
- △ DATE CODE: (YYWWS: Y-YEAR, WW-WEEK, D-DAY, S-SHIFT (D-DAY, N-NIGHT))
- △ MOLD CAVITY ID.
- △ COPLANARITY: 0.08MAX.
- △ PICKING AREA
- △ TRADE MARK
- 8. HSG SURFACE: TEXTURE ACCORDING VDI 3400-24/27 (R<sub>a</sub> 1.9 MICROMETER).
- △ GATE BURR 0.08 MAX. GATE ON THE ONE SURFACE BETWEEN INDICATED TWO SURFACES OF THE PRODUCT.



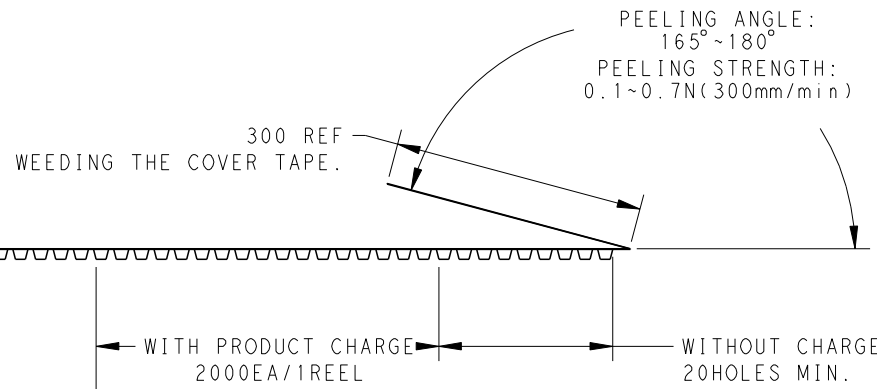
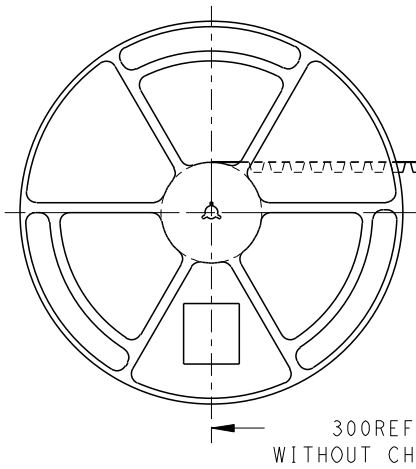
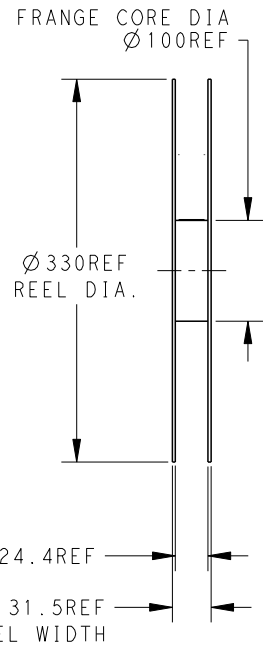
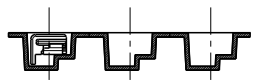
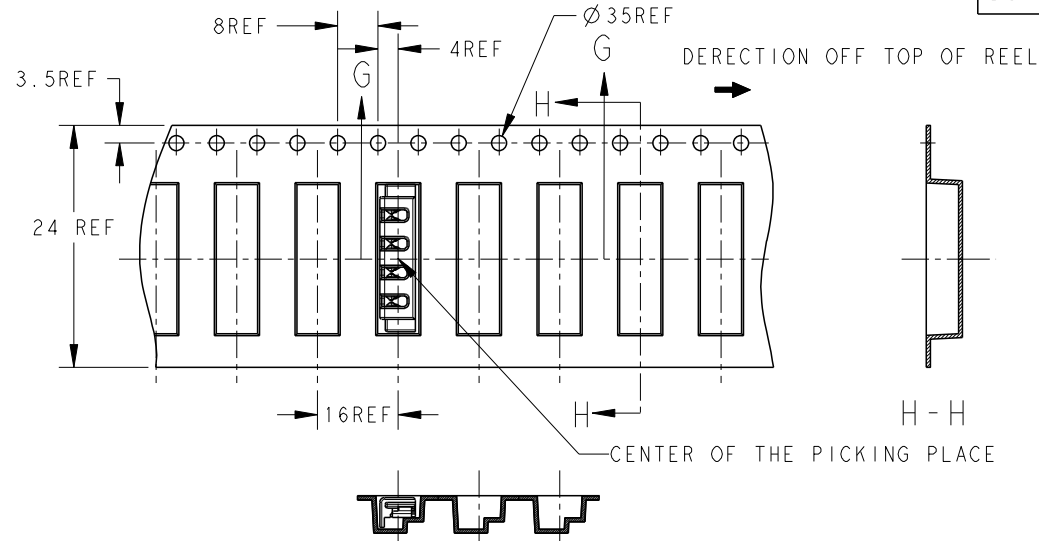
△ 2	2108074-2
FINISH	P/N

THIS DRAWING IS A CONTROLLED DOCUMENT.		DWN JH GONG 09JUN2011			
		CHK JH KIM 09JUN2011			
		APVD BW KANG 09JUN2011	NAME		
DIMENSIONS: mm		PRODUCT SPEC 108-61118		FLOATING BATTERY INTERCONNECTION SYSTEMS RECEPTACLE ASSEMBLY	
TOLERANCES UNLESS OTHERWISE SPECIFIED: ±0.15		APPLICATION SPEC		RESTRICTED TO	
0 PLC ± 1 PLC ±0.5 2 PLC ±0.13 3 PLC ±0.013 4 PLC ±0.0003 ANGLES ±		WEIGHT 0.14g		SIZE A3	CAGE CODE 00779
MATERIAL △ 1		FINISH △ 2		DRAWING NO C=2108074	
		CUSTOMER DRAWING		SCALE 5:1	SHEET 1 OF 2

THIS DRAWING IS UNPUBLISHED.  
 RELEASED FOR PUBLICATION  
 ALL RIGHTS RESERVED.

LOC DS  
 DIST -

REVISIONS				DATE	DWN	APVD
P	LTR	DESCRIPTION				
-	-	SEE SHEET 1	-	-	-	-



2000	2108074-2
QTY/REEL	P/N

THIS DRAWING IS A CONTROLLED DOCUMENT.		DWN	TE Connectivity	
DIMENSIONS: mm		CHK	NAME	
TOLERANCES UNLESS OTHERWISE SPECIFIED: ±0.3		APVD	PRODUCT SPEC	
0 PLC ±		108-61118		APPLICATION SPEC
1 PLC ±0.5		WEIGHT	0.14g	SIZE
2 PLC ±0.13		A300779		CAGE CODE
3 PLC ±0.013		C=2108074		DRAWING NO
4 PLC ±0.003		CUSTOMER DRAWING		RESTRICTED TO
ANGLES ±		SCALE NTS		SHEET 2 OF 2
FINISH		REV A		