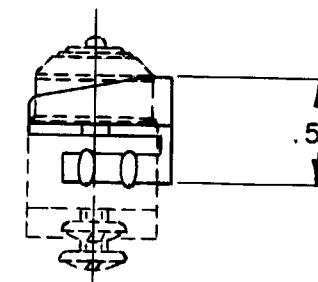
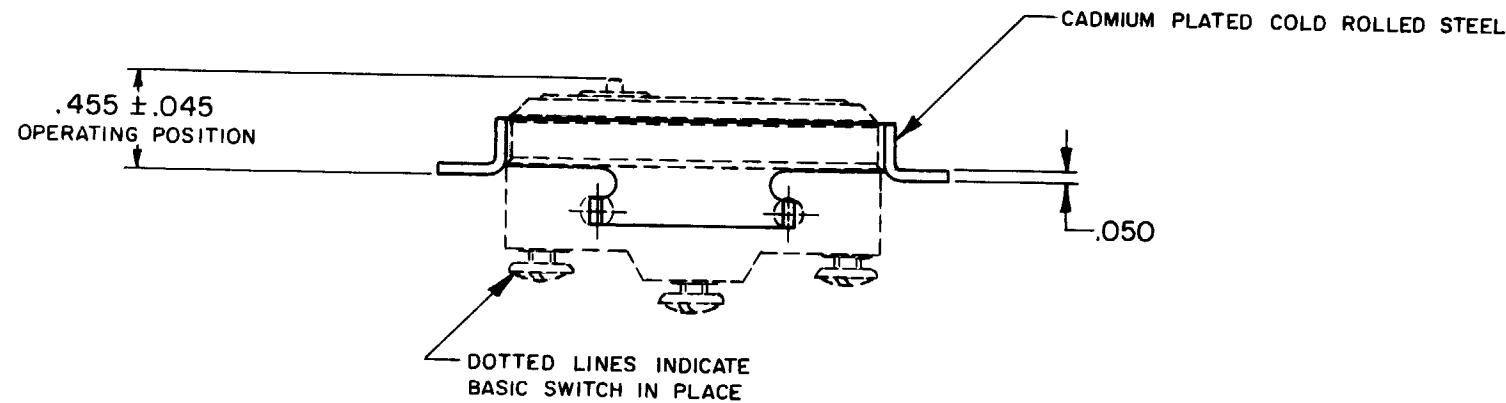
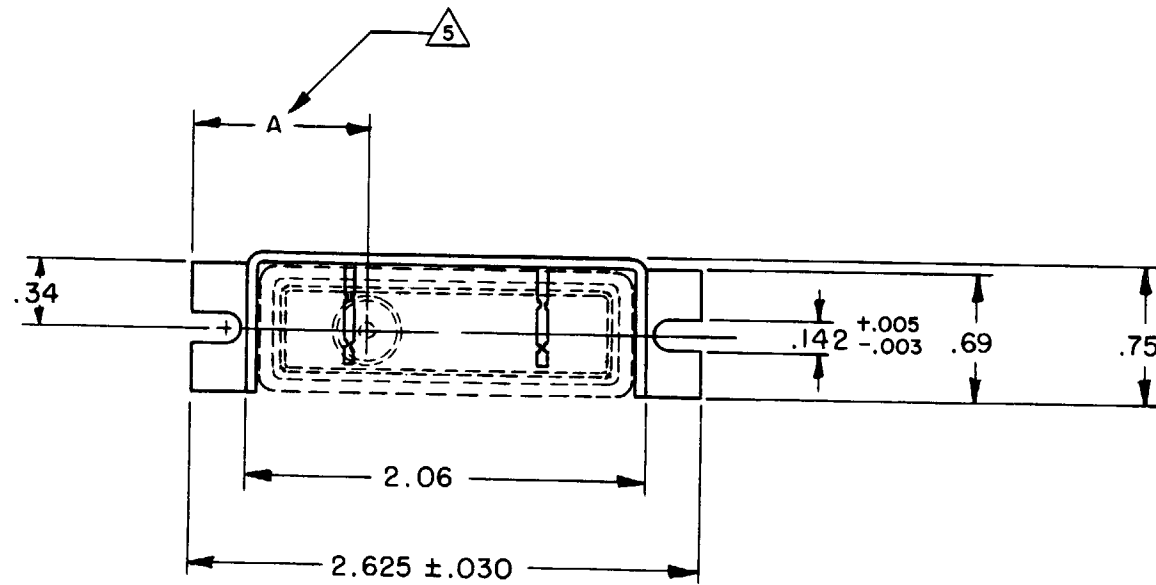


17MA1-B
 M
 DRAWING NUMBER
 2
 ISSUE
 X
 REVISIONS
 A SR 10124
 M B F
 8 MARCH 62
 CHECK N 3 E
 16 NOV '61
 CHECK DAV J
 16 NOV '61
 CHECK
 6
 NOV 61
 DRAWN
 K L B
 FO-50378-003



NOTE -

- 1 - GIVEN CHARACTERISTICS ARE FOR BZ-2R-A2 BASIC SWITCH
- 2 - THE BRACKET IS FOR USE WITH MICRO SWITCH TYPE "A" OR TYPE "Z" BASIC SWITCHES
- 3 - THE BRACKET MAY BE MOUNTED BY TWO NO. 6 SCREWS ON A SURFACE WITH TWO HOLES, CENTERLINES AT 2.375 ± .018 DISTANCE
- 4 - IN ASSEMBLING THE BASIC SWITCH ON THE BRACKET, PLACE THE BRACKET ON A FLAT SURFACE AND PRESS THE BASIC SWITCH ONTO THE PRONGS OF THE BRACKET
- 5 - "A" DIMENSION IS .900 ± .050 FOR TYPE Z BASIC AND, 1.060 ± .050 FOR TYPE A BASIC
- 6 - BASIC SWITCH MAY BE MOUNTED FROM EITHER SIDE

THIS DRAWING COVERS A PROPRIETARY ITEM AND IS THE PROPERTY OF MICRO SWITCH, A DIVISION OF MINNEAPOLIS-HONEYWELL REGULATOR CO. THIS DRAWING IS NOT TO BE COPIED OR USED WITHOUT THE APPROVAL OF MICRO SWITCH.

CHARACTERISTICS	ELECTRICAL DATA		SCALE FULL
	CONTACT ARRANGEMENT	BREAK DISTANCE	DO NOT SCALE PRINT
			UNLESS OTHERWISE SPECIFIED DIMENSIONS ARE IN INCHES TOLERANCES ARE: ONE PLACE (.0) ±.030 TWO PLACE (.00) ±.015 THREE PLACE (.000) ±.005 ANGLES ±
			WEIGHT