

Jul.1.2019 Copyright 2019 HIROSE ELECTRIC CO., LTD. All Rights Reserved.
In case of consideration for using Automotive equipment / device which demand high reliability, kindly contact our sales window correspondents.

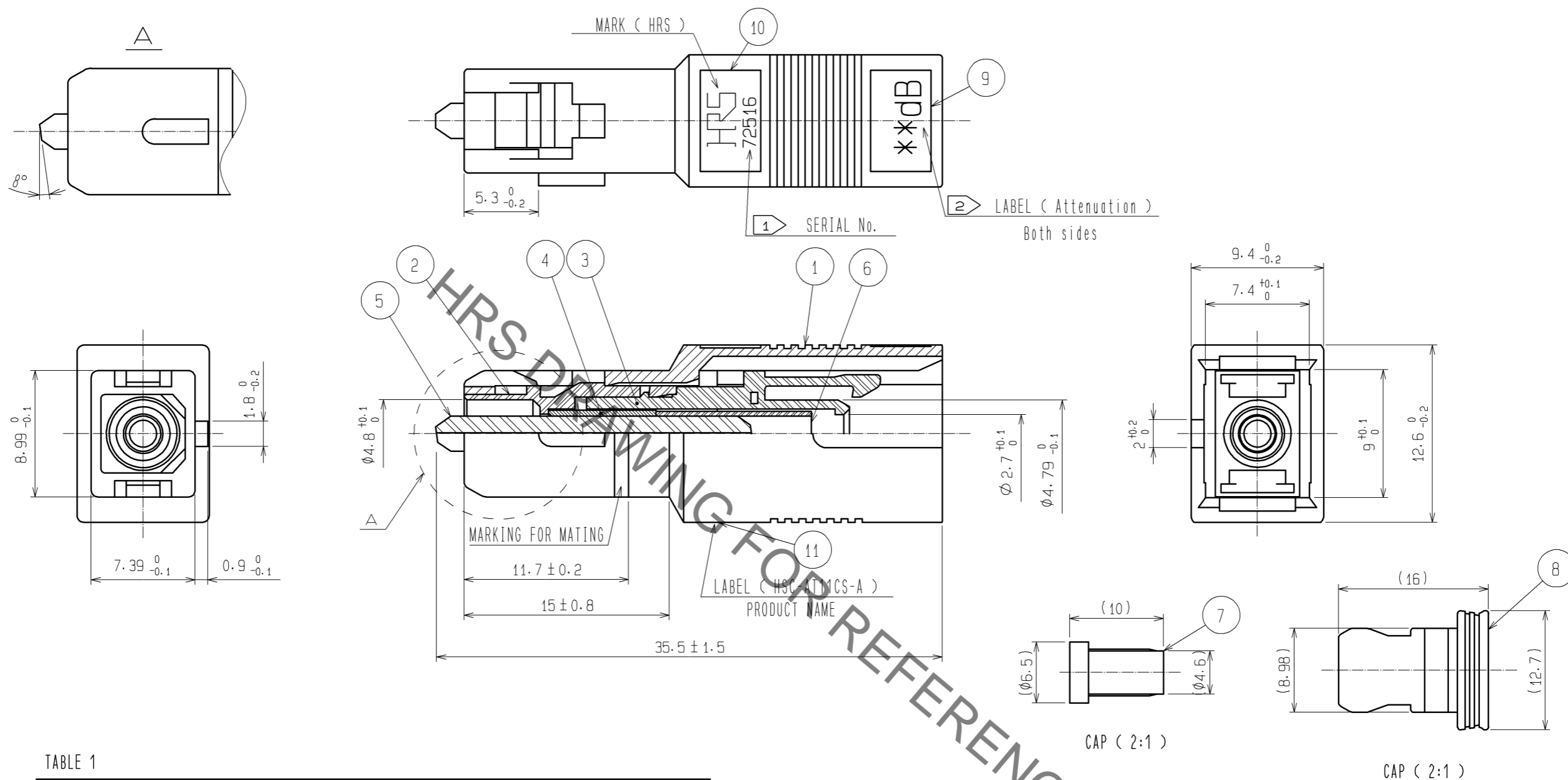


TABLE 1

**	ATT.	PART NO.	HRS NO.	**	ATT.	PART NO.	HRS NO.
01	1dB	HSC-AT11CS-A01	CL820-9001-2	11	11dB	HSC-AT11CS-A11	CL820-9011-6
02	2dB	HSC-AT11CS-A02	CL820-9002-5	12	12dB	HSC-AT11CS-A12	CL820-9012-9
03	3dB	HSC-AT11CS-A03	CL820-9003-8	13	13dB	HSC-AT11CS-A13	CL820-9013-1
04	4dB	HSC-AT11CS-A04	CL820-9004-0	14	14dB	HSC-AT11CS-A14	CL820-9014-4
05	5dB	HSC-AT11CS-A05	CL820-9005-3	15	15dB	HSC-AT11CS-A15	CL820-9015-7
06	6dB	HSC-AT11CS-A06	CL820-9006-6	16	16dB	HSC-AT11CS-A16	CL820-9016-0
07	7dB	HSC-AT11CS-A07	CL820-9007-9	20	20dB	HSC-AT11CS-A20	CL820-9017-2
08	8dB	HSC-AT11CS-A08	CL820-9008-1	25	25dB	HSC-AT11CS-A25	CL820-9018-5
09	9dB	HSC-AT11CS-A09	CL820-9009-4	30	30dB	HSC-AT11CS-A30	CL820-9019-8
10	10dB	HSC-AT11CS-A10	CL820-9010-3				

NOTE ① An example of SERIAL No.
② The sign ** corresponds to the attenuation.
③ PART NO. Corresponding to the attenuation are written in TABLE 1.

NO.	MATERIAL	FINISH . REMARKS	NO.	MATERIAL	FINISH . REMARKS
6	Zirconia		11	Polyester	Green
5	Zirconia	APC polishing	10	Polyester	Green
4	Stainless steel		9	Polyester	Green. 2 pcs.
3	PPS	Natural (Brown)	8	PBT	Black
2	PBT	Natural (White)	7	TPEE	Black
1	Zinc alloy	Nickel Plated			

UNITS	SCALE	COUNT	DESCRIPTION OF REVISIONS	DESIGNED	CHECKED	DATE
mm	3 : 1	△				
APPROVED : MT. SHIBUTANI			12.02.14	DRAWING NO. EDC3-177966-00		
CHECKED : FS. YOSHIDA			12.02.13	PART NO. HSC-AT11CS-A**		
DESIGNED : KS. JOKURA			12.02.10	CODE NO.		
DRAWN : SR. TOYOKAWA			12.01.27	1/1		