

THIS DRAWING IS UNPUBLISHED.

RELEASED FOR PUBLICATION

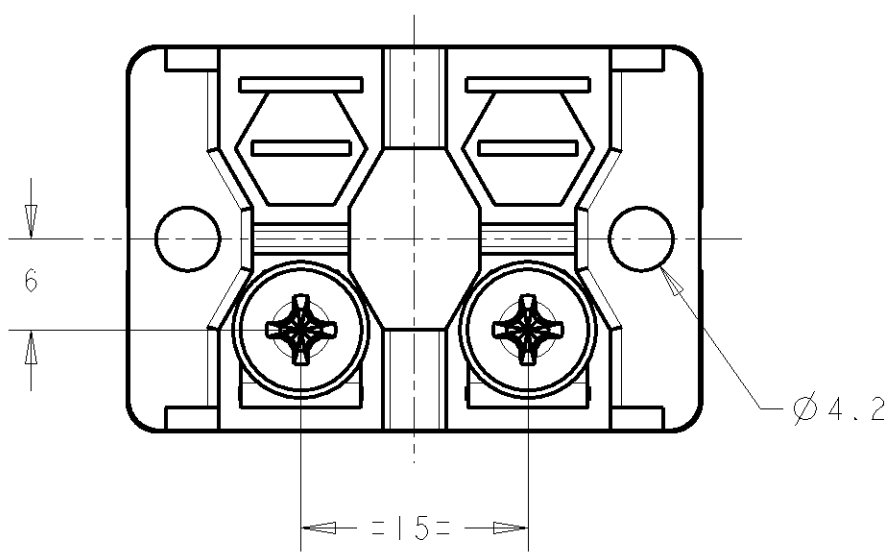
20

© COPYRIGHT 20

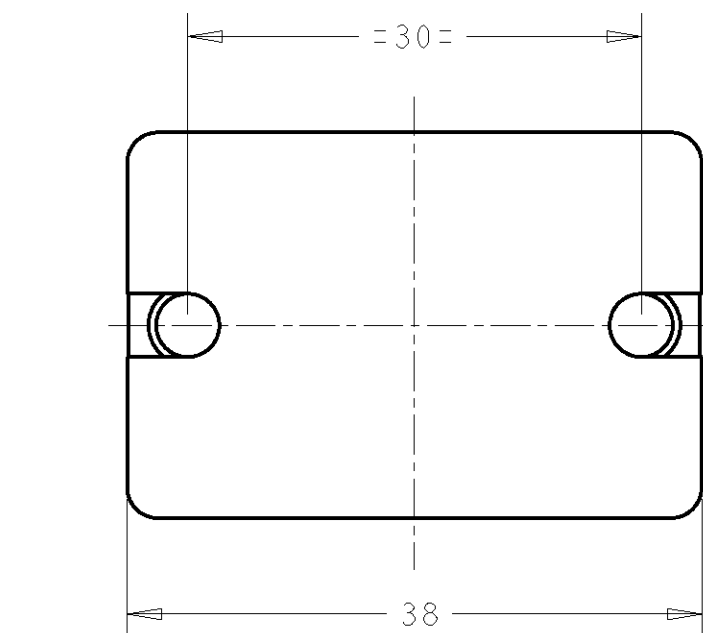
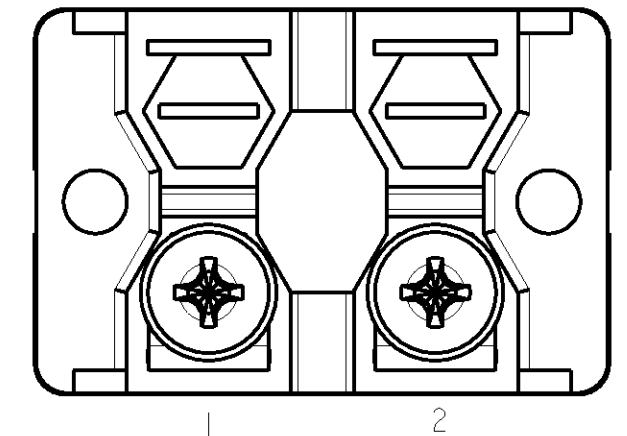
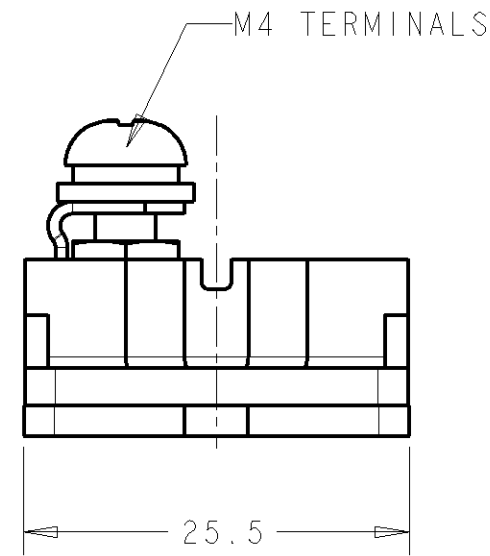
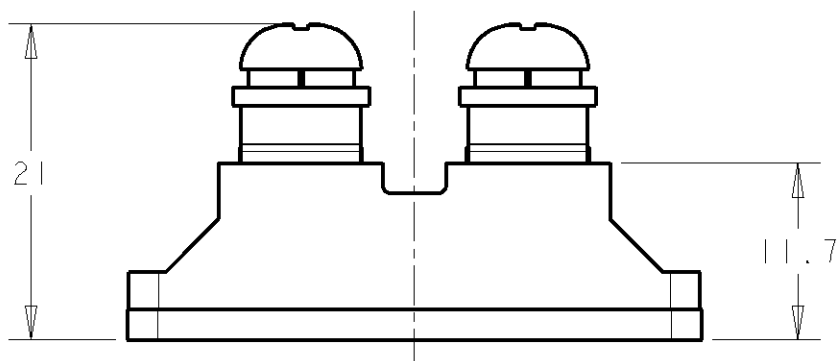
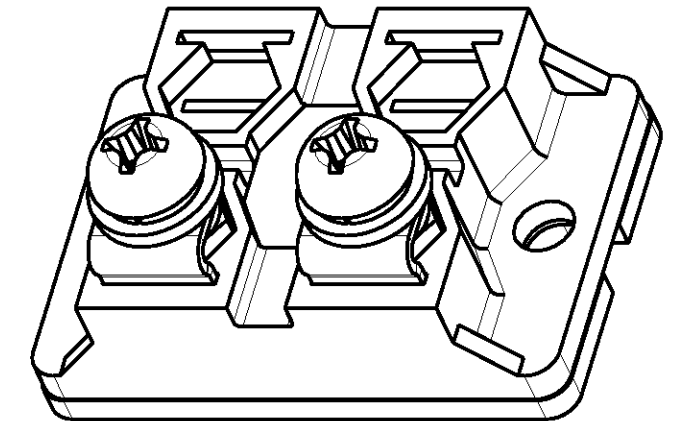
BY -

ALL RIGHTS RESERVED.

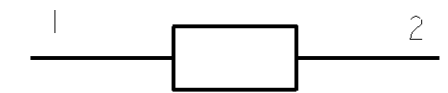
| LOC | DIST | REVISIONS   |                           |         |        |
|-----|------|-------------|---------------------------|---------|--------|
| P   | LTR  | DESCRIPTION | DATE                      | DWN     | APVD   |
| -   | -    | B1          | REVISED PER ECO-11-005150 | 28MAR11 | RK HMR |



| TYPE   | POWER RATING AT 60°C | RESISTANCE | TOLERANCE           |
|--------|----------------------|------------|---------------------|
| BDS 2A | 100 Watts            | 1R to 1MΩ  | K = ±10%<br>J = ±5% |



LIMITING ELEMENT VOLTAGE: 500V dc/ac rms (100W or less)  
 ISOLATION VOLTAGE (TERMINAL TO HEATSINK): 2.5kV  
 SINGLE SHOT (1,5/50ms): 4kV  
 MAXIMUM RATED POWER (HEATSINK TEMP @ 60°C): 100W  
 SHORT TERM OVERLOAD: 3 x RATED POWER, 10 sec's  
 PARTIAL DISCHARGE: <20pC/2kV



RoHS COMPLIANT

|                       |  |   |  |  |  |  |  |               |        |
|-----------------------|--|---|--|--|--|--|--|---------------|--------|
| DIMENSIONS:<br>mm<br> |  | TOLERANCES UNLESS OTHERWISE SPECIFIED:<br>0 PLC ±0.5<br>1 PLC ±0.2<br>2 PLC ±0.02<br>3 PLC ±0.005<br>4 PLC ±0.0005<br>ANGLES ±0.5 |  | DWN T MOORE 15MAR2005<br>CHK J CATCHPOLE 5MAR2005<br>APVD J CATCHPOLE 5MAR2005<br>PRODUCT SPEC -<br>APPLICATION SPEC -<br>WEIGHT 35g |  | TE Connectivity<br>NAME BDS2A100<br>SIZE A3 CAGE CODE 00779 DRAWING NO C-1614782 |  | RESTRICTED TO |        |
| MATERIAL -            |  | FINISH -  |  | CUSTOMER DRAWING   |  | SCALE 2:1  |  | SHEET 1 OF 1  | REV B1 |