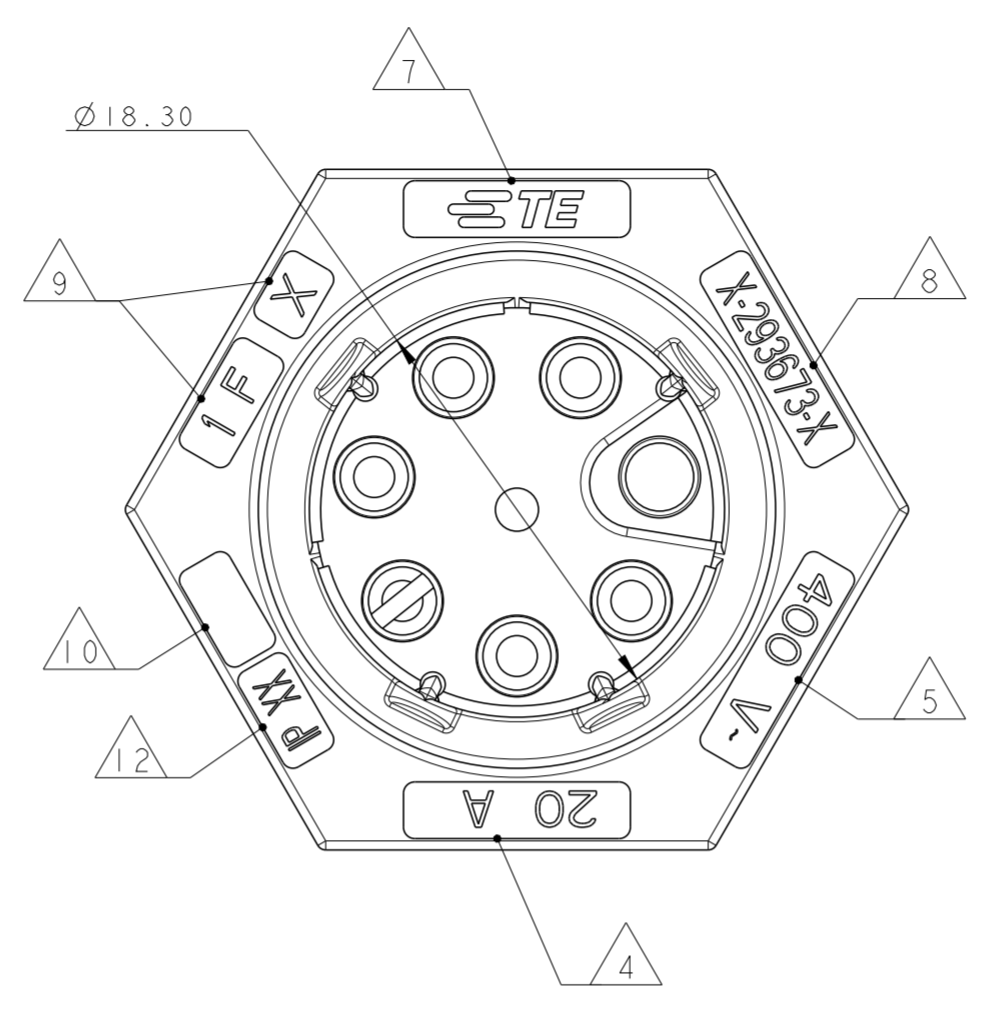
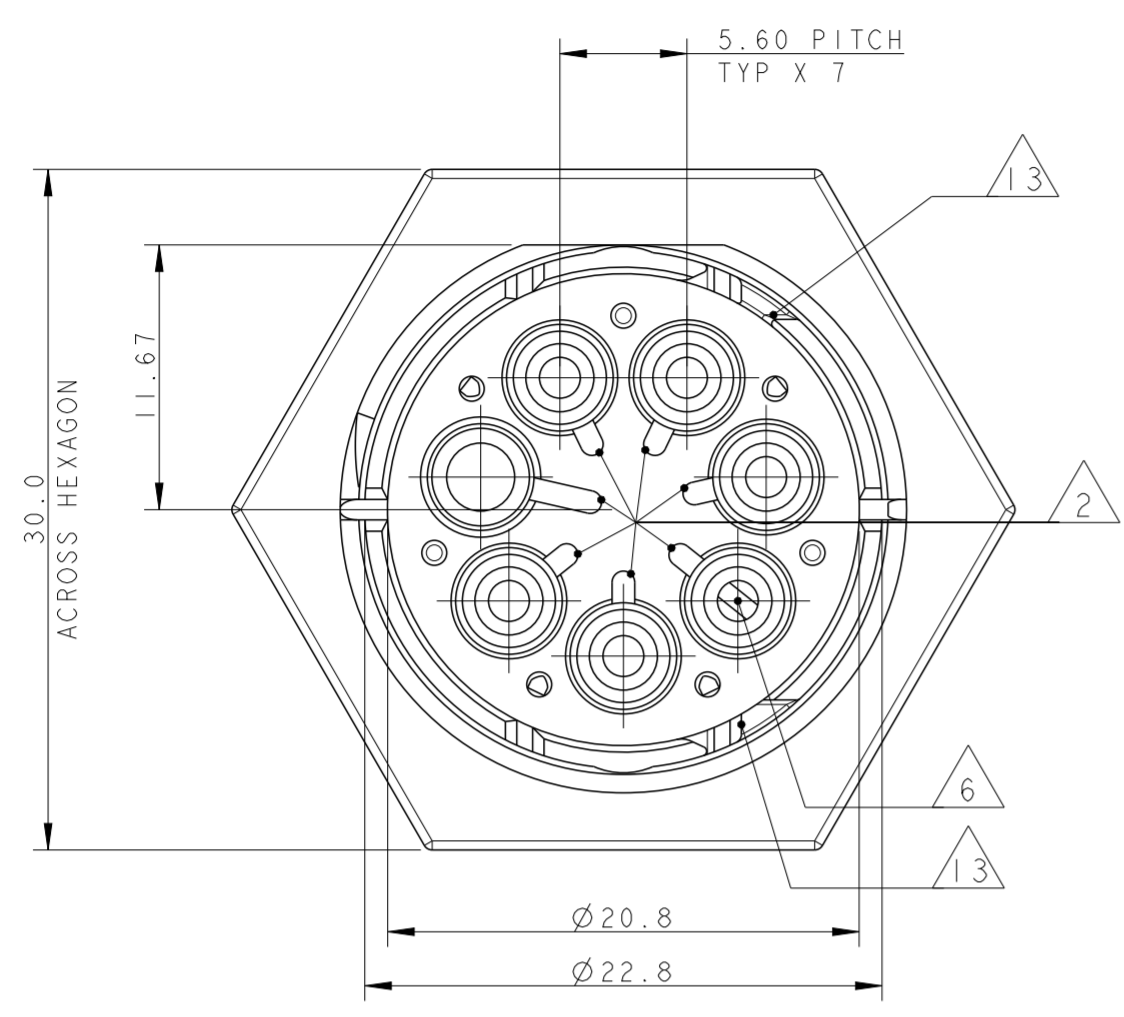
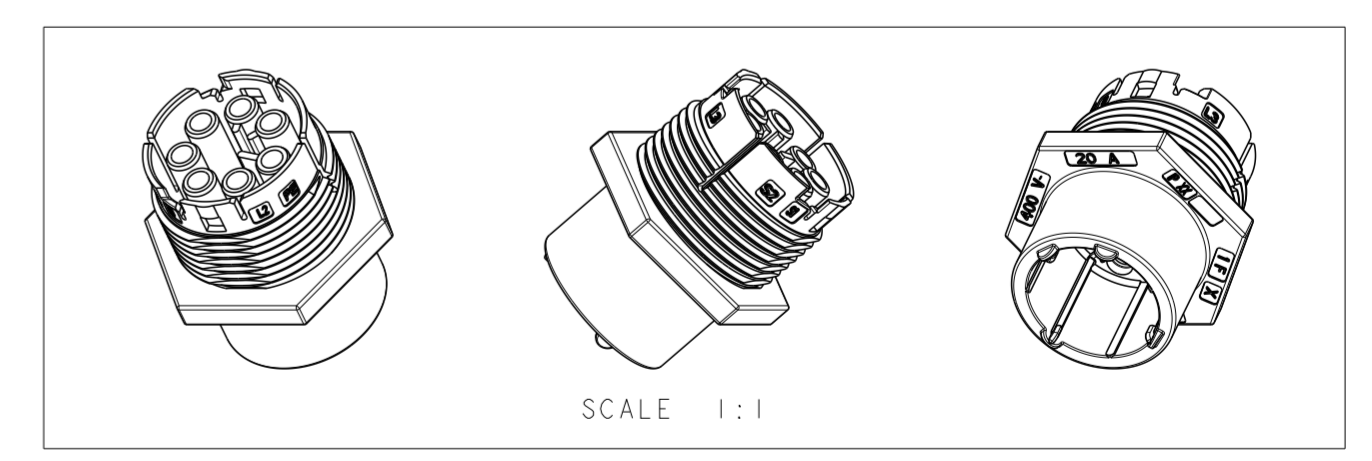
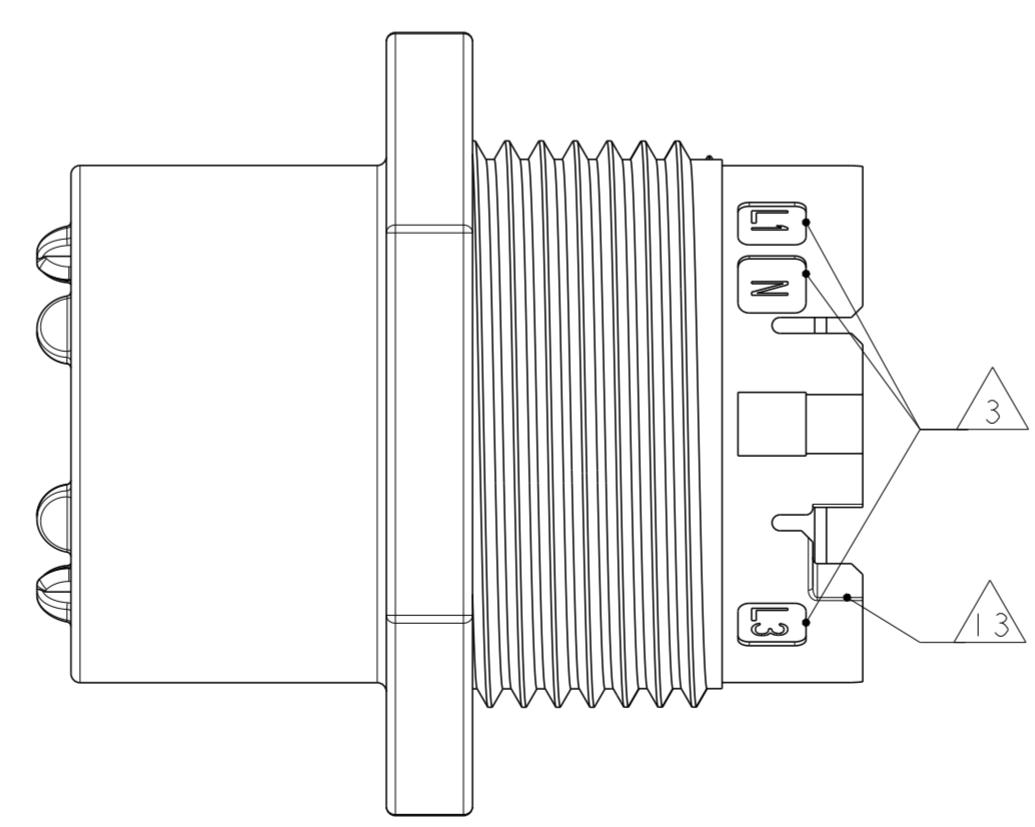
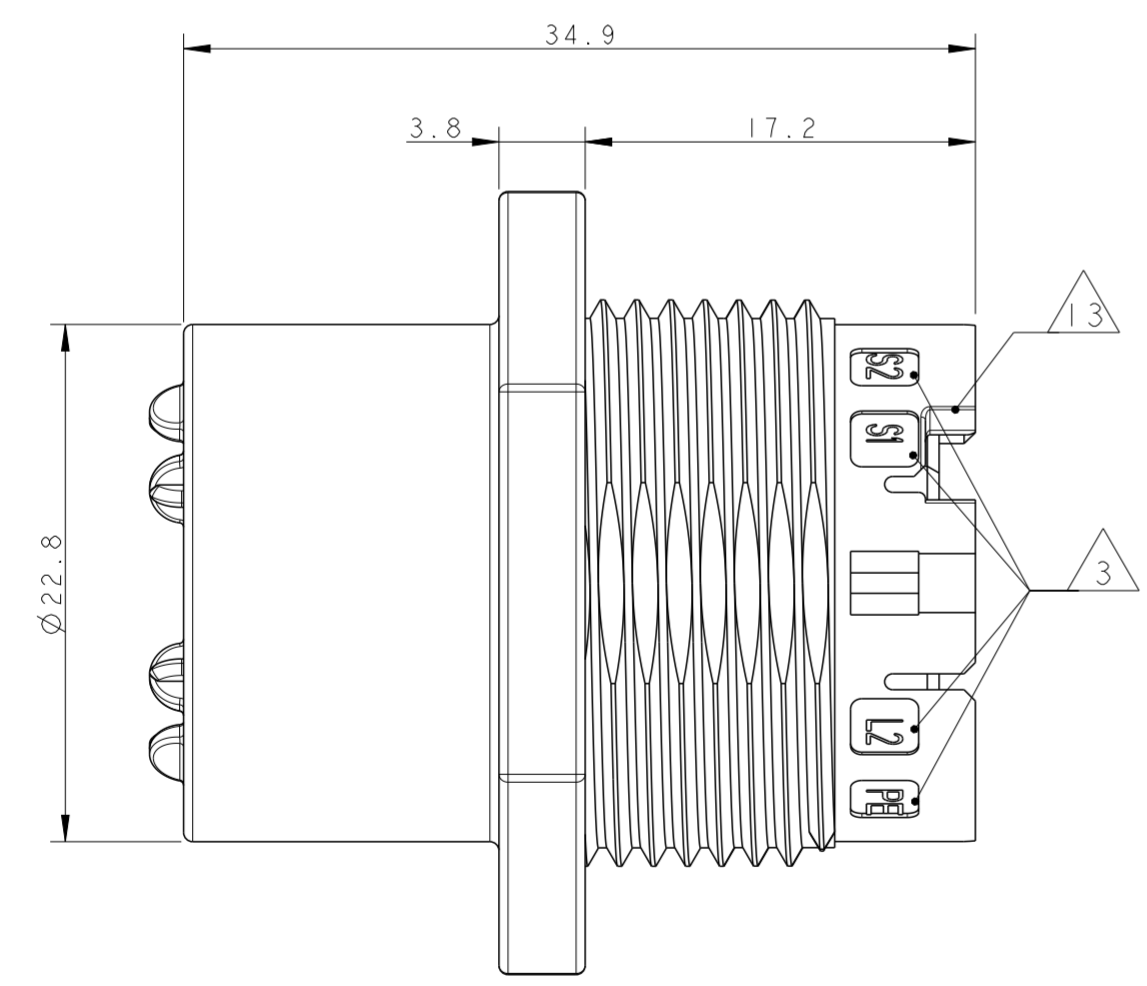


LOC		DIST		REVISIONS			
P	LTR	DESCRIPTION	DATE	DWN	APVD		
6		UPDATED	23JUL2013	MZ	JC		
7		REVISED MARKINGS	17SEP2013	KR	JC		
A		PARTS RELEASED FOR PRODUCTION	13NOV2013	KR	JC		
C		ECR-15-011011	27JUL2015	RS	PO		



- NOTES:
- 1 MATERIAL: PA GF (NATURAL AND BLACK COLOUR)
  - 2 ALL POLARIZATION KEYS SHOWN FOR REF ONLY
  - 3 WAYS I.D.
  - 4 CURRENT RATING
  - 5 VOLTAGE RATING
  - 6 RIB CLOSING CAVITIES BY CHANGE OVER
  - 7 TE LOGO
  - 8 TE PART NUMBER
  - 9 DATA CODE AND CAVITY I.D.
  - 10 AREA FOR AGENCIES APPROVAL LOGO
  - 11) SEE C-DRAWING 293682 (LOCKING CAP) TO GET IP 40
  - 12 IP CODE
  - 13 SLOTS TO ALLOW DEALTCHING TOOL OPERATION. FOR DEALTCHING TOOL AND DOPERATION REFER TO APPLICATION SPECIFICATION

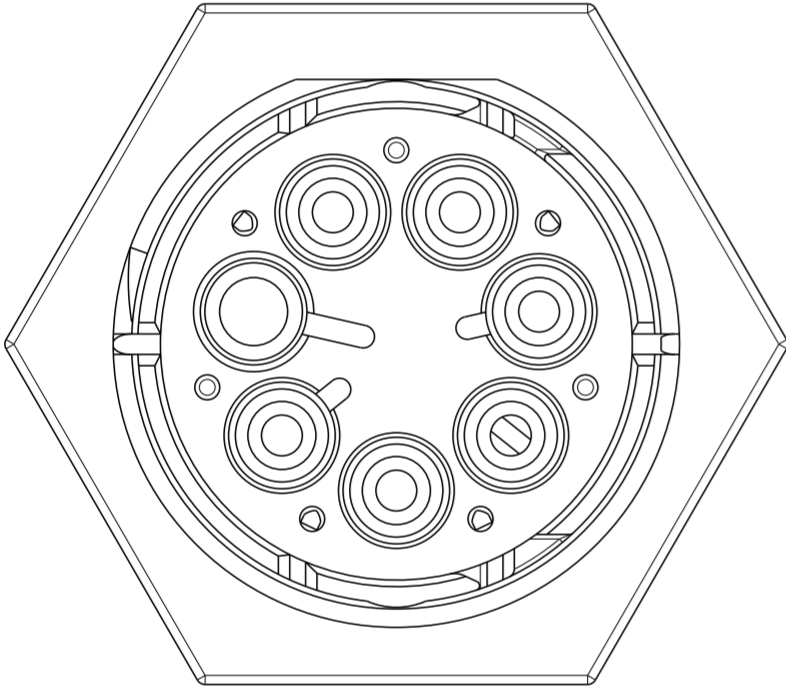
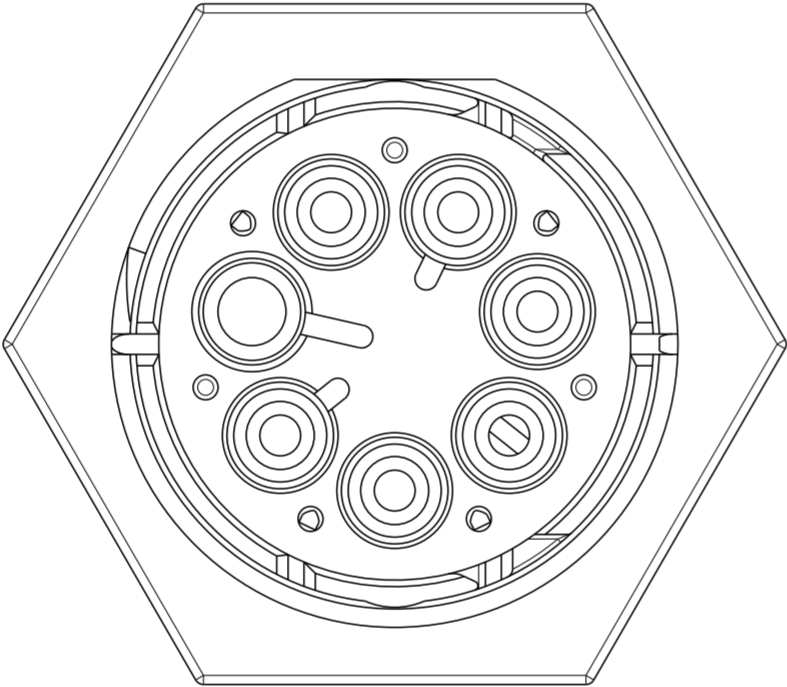
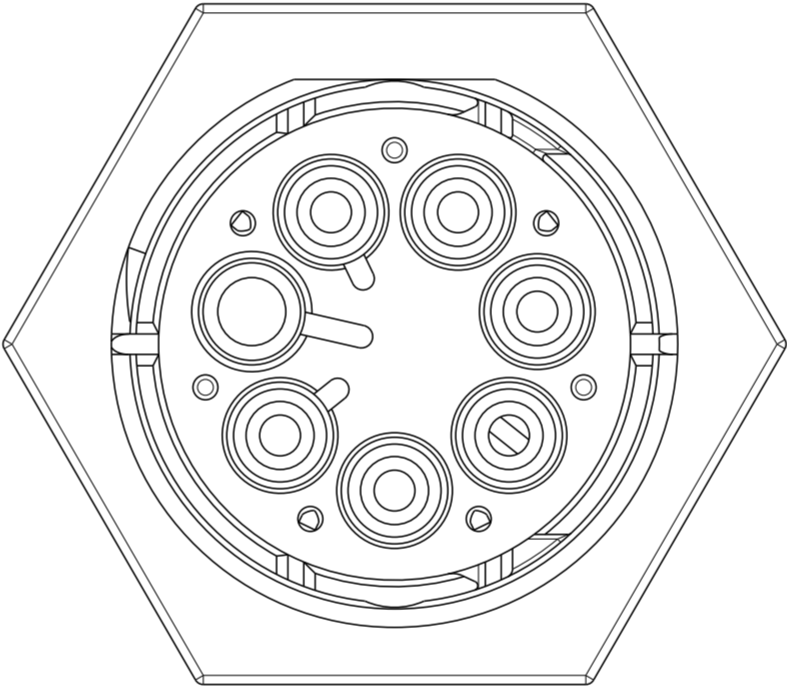


THIS DRAWING IS A CONTROLLED DOCUMENT.		DWN A. BERNARDI 31MAR2011	TE Connectivity	
DIMENSIONS: mm		CHK M. ZUCCA 31MAR2011		
TOLERANCES UNLESS OTHERWISE SPECIFIED:		APVD G. TURCO 31MAR2011	NAME SKT HOUSING 6 POLES PANEL MOUNT NECTOR M-LINE UNSEALED VERSION	
0 PLC ± 1 PLC ±0.3 2 PLC ±0.20 3 PLC ± 4 PLC ± ANGLES ±3° FINISH		PRODUCT SPEC 108-20324	SIZE 114-20169	RESTRICTED TO
MATERIAL		APPLICATION SPEC 114-20169	CAGE CODE A200779	DRAWING NO C-293673
NOTE 1		WEIGHT -	SCALE 3:1	SHEET 1 OF 3
		Customer Drawing	REV C	

THIS DRAWING IS UNPUBLISHED. RELEASED FOR PUBLICATION 2011  
 © COPYRIGHT 2011 BY - ALL RIGHTS RESERVED.


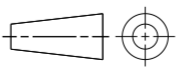
LOC		DIST		REVISIONS			
P	LTR	DESCRIPTION	DATE	DWN	APVD		
-	-	SEE SHEET 1	-	-	-		

### POLARIZATION TYPES

POLARIZATION TYPE "C"	POLARIZATION TYPE "B"	POLARIZATION TYPE "C"
		
PNs 0-293673-3 AND 1-293673-3	PNs 0-293673-4 AND 1-293673-4	PNs 0-293673-5 AND 1-293673-5

**TABLE 1**

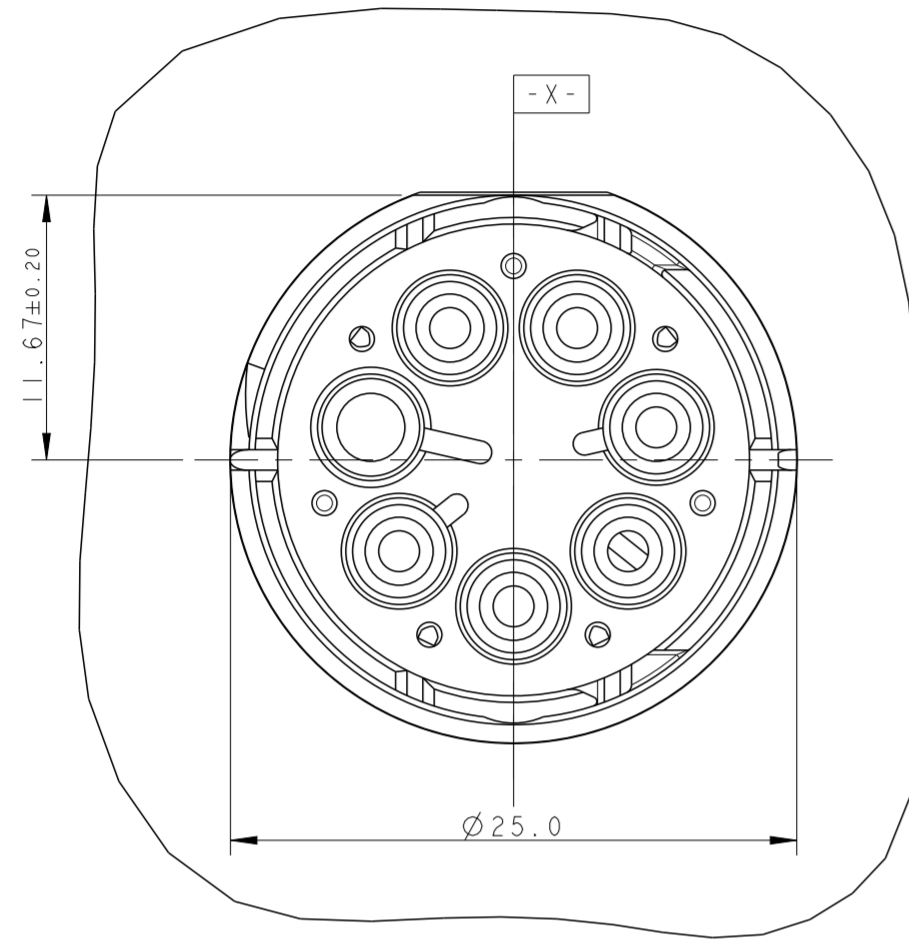
NOTE	POL. KEYING	COLOUR	DESCRIPTION	REV.	P/N
1	E	BLACK	SOCKET HSG 6 POLES PANEL MOUNT NECTOR* M-LINE	A	1-293673-5
1	D	BLACK	SOCKET HSG 6 POLES PANEL MOUNT NECTOR* M-LINE	A	1-293673-4
1	C	BLACK	SOCKET HSG 6 POLES PANEL MOUNT NECTOR* M-LINE	A	1-293673-3
1	E	NATURAL	SOCKET HSG 6 POLES PANEL MOUNT NECTOR* M-LINE	A	0-293673-5
1	D	NATURAL	SOCKET HSG 6 POLES PANEL MOUNT NECTOR* M-LINE	A	0-293673-4
1	C	NATURAL	SOCKET HSG 6 POLES PANEL MOUNT NECTOR* M-LINE	A	0-293673-3

THIS DRAWING IS A CONTROLLED DOCUMENT.		DWN A. BERNARD 31MAR2011	 TE Connectivity	
DIMENSIONS: mm		CHK M. ZUCCA 31MAR2011		
TOLERANCES UNLESS OTHERWISE SPECIFIED:		APVD G. TURCO 31MAR2011	NAME SKT HOUSING 6 POLES PANEL MOUNT NECTOR M-LINE UNSEALED VERSION	
		PRODUCT SPEC 108-20324	SIZE	CAGE CODE
MATERIAL		APPLICATION SPEC 114-20169	DRAWING NO	RESTRICTED TO
NOTE 1		WEIGHT -	A200779	C-293673
		Customer Drawing	SCALE 3:1	SHEET 2 OF 3 REV C

THIS DRAWING IS UNPUBLISHED. RELEASED FOR PUBLICATION 2011  
 © COPYRIGHT 2011 BY - ALL RIGHTS RESERVED.

LOC		DIST		REVISIONS			
P	LTR	DESCRIPTION	DATE	DWN	APVD		
-	-	SEE SHEET 1	-	-	-		

PN 293673-3 AS SHOWN



PANEL/WALL  
SUGGESTED LAYOUT



3D VIEWS,  
FOR REFERENCE ONLY  
PN 293673-3 AS SHOWN



SCALE 1:1

THIS DRAWING IS A CONTROLLED DOCUMENT.		DWN A. BERNARDI 31MAR2011	 TE Connectivity	
DIMENSIONS: mm		CHK M. ZUCCA 31MAR2011		
TOLERANCES UNLESS OTHERWISE SPECIFIED:		APVD G. TURCO 31MAR2011	NAME SKT HOUSING 6 POLES PANEL MOUNT NECTOR M-LINE UNSEALED VERSION	
0 PLC ± 1 PLC ±0.3 2 PLC ±0.20 3 PLC ± 4 PLC ±		PRODUCT SPEC 108-20324	SIZE 114-20169	
ANGLES ±3°		APPLICATION SPEC	RESTRICTED TO	
FINISH		WEIGHT -	A200779C-293673	
NOTE 1		Customer Drawing		SCALE 3:1 SHEET 3 OF 3 REV C