

PART NAME: KNOB SCALE: 1:1 DATE: 3/14/07 DR. BY JAM

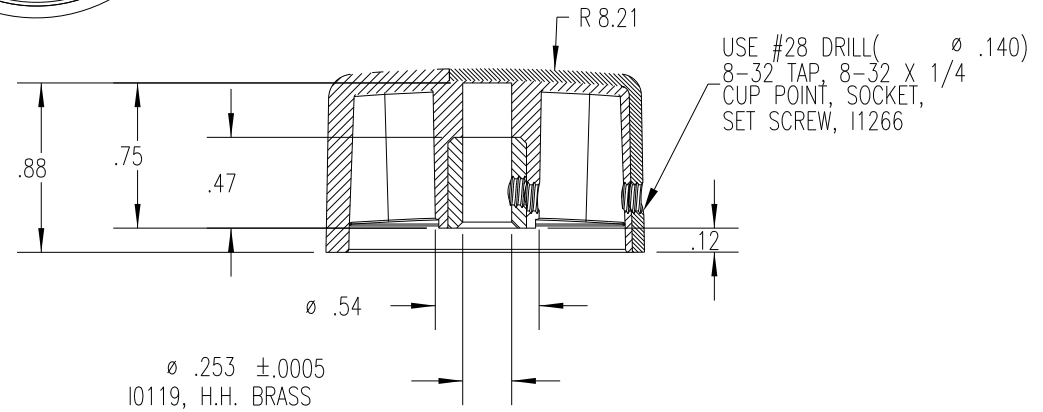
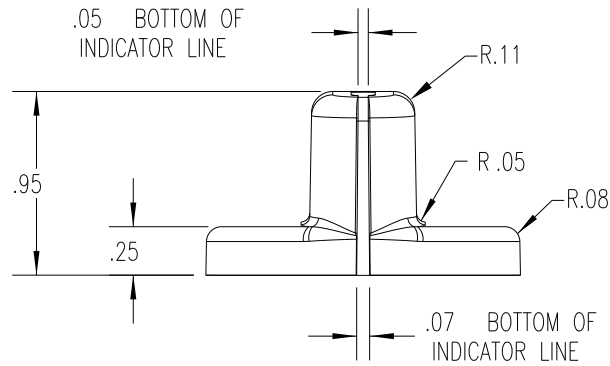
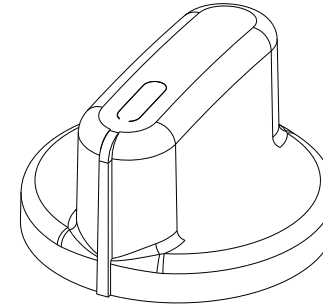
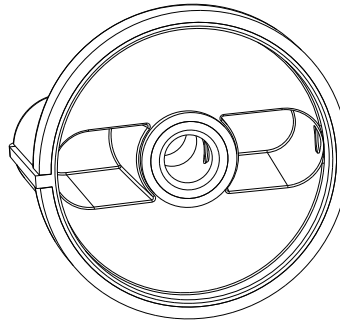
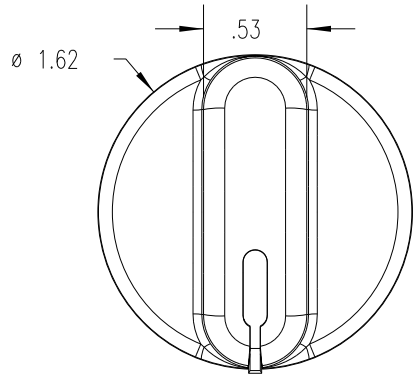
DAVIES MOLDING COMPANY
CAROL STREAM, ILLINOIS 60188

P/N 1506-A

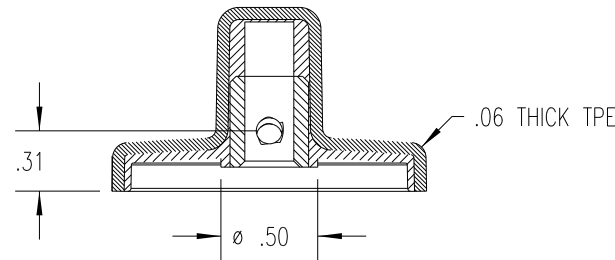
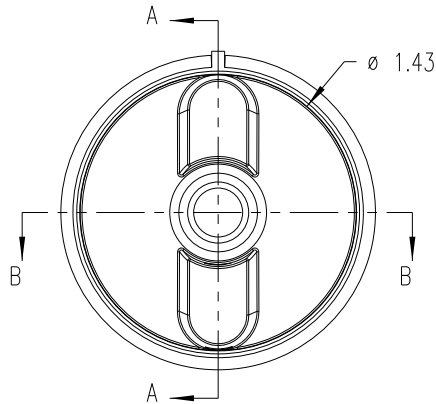
THIS DRAWING IS THE PROPERTY OF DAVIES MOLDING COMPANY, IS SUBMITTED SOLELY AS A DESIGN OR ENGINEERING PROJECT.
WE ACCEPT NO RESPONSIBILITY WHATSOEVER FOR THE PRACTICAL APPLICATION OF THE PIECES MADE TO THIS DESIGN.

BASE PART 1506-02
SET SCREW I1266

(A)
(B)



SECTION A-A



SECTION B-B

SUBSTRATE MATERIAL: POLYPROPYLENE (CLD)
COLOR: WHITE (PC23083)

OVERMOLD MATERIAL: TPE (TPE3)
COLOR: BLACK (PC-301)

| | | | | |
|---|----------------------------------|---|--------------------|--------------|
| TOLERANCES: UNLESS OTHERWISE SPECIFIED | DO NOT SCALE DRAWING | | | |
| DECIMALS: X.XXX ± .005 X.XX ± .015 | MM: X.XX ± 0.15MM X.X ± 0.4MM | B | ADDED BASE PART | JAM 4/16/13 |
| FRACTIONS ± 1/64 | ANG. ± 1° | A | MOLD # WAS 1506 | JAM 12/14/09 |
| CHANGES | | | | |