



## AOLL1-150

## 150W Exterior LED Driver



### FEATURES:

- Universal AC input 90~264 VAC
- Built in active PFC
- IP66 or IP67 for damp locations designed for outdoor use
- Wide Temp -40 ~ +70°C range
- Adjustable output voltage and current
- UL 8750 safety**
- Warranty: 4 years**
- Output voltage and constant current level can be adjusted through potential meter.
- Constant current level adjustable through output cable with 1~10Vdc.

CE Pending

	MODEL/CHANNEL	Unit	AOLL1-240-12 AD	AOLL1-240-24 AD	AOLL1-240-36 AD	AOLL1-240-48 AD	
<b>OUTPUT</b>	Norminal Voltage	[V]	12	24	36	48	
	Setting Voltage Range	[V]	11.8 ~ 12.1	23.7 ~ 24.3	35.6 ~ 36.4	47.5 ~ 48.5	
	Voltage ADJ. Range *note1	[V]	10.8 ~ 13.5	22.0 ~ 27.0	33.0 ~ 40.0	43.0 ~ 53.0	
	Norminal Current	[A]	12.5	6.3	4.2	3.2	
	Current ADJ. Range *note1	[A]	6.25 ~ 12.5	3.15 ~ 6.3	2.1 ~ 4.2	1.6 ~ 3.2	
	Line Regulations	[mV]	120	120	180	240	
	Load Regulations	[mV]	120	120	180	240	
	Temperature Drift	[mV]	180	360	540	720	
	Ripple Max.	[mV]	120	120	150	150	
	Ripple & Noise Max 1.	[mV]	150	150	250	250	
	Ripple & Noise Max 2. *note2	[mV]	600	600	800	800	
	Turn-on Time Typ.	[ms]	1000 (AC IN 100V, Io=100%)				
Hold-up Time Typ.	[ms]	17 (AC IN 100V, Io=100%)					
<b>INPUT</b>	Typ. Voltage, Frequency	[V]	AC100 - 240(AC 90-264, 50/60Hz(47 - 63) or DC127-370V (Universal Input)				
	Current Typ.	[A]	3.0	3.0	3.0	3.0	
		[A]	1.5	1.5	1.5	1.5	
	Efficiency Typ.	110V 220V	[%]	87 90	88 92	89 92.5	90 93
	Power factor Typ.	110V 220V	-	0.99 0.98	0.99 0.98	0.99 0.98	0.99 0.98
	Inrush Current Typ.	110V 220V	[A]	25 ( Ta=25°C , Cold Start ) 45 ( Ta=25°C , Cold Start )			
	Leakage Current Max.	110V 220V	[mA]	3.5 3.5			
<b>Function</b>	Over Voltage Protection	[V]	110% ~ 160% of rating				
	Over Current Protection[Blank,D]	[A]	95 ~ 110 %	95 ~ 110 %	95 ~ 110 %	95 ~ 110 %	
	Over Current Protection[A,AD]	[A]	50 ~ 100 %	50 ~ 100 %	50 ~ 100 %	50 ~ 100 %	
	Short Circuit	-	Constant current limiting, recovers automatically after fault condition is removed				
	Cooling / O.T.P	-	Convection/Optional				
<b>Electrical Isolation</b>	(1) Input - Output	-	AC 3.0KV 1min, cut-off: 20mA / DC 500V 100MΩ				
	(2) Input - F.G	-	AC 2.0KV 1min, cut-off: 20mA / DC 500V 100MΩ				
	(3) Output - F.G	-	AC 0.5KV 1min, cut-off:100mA / DC 500V 100MΩ				
<b>Environment</b>	Operating temp. & Humidity	-	-40 ~ +70°C(Required Derating), 20 ~ 90%RH (Non Condensing)				
	Storage temp. & Humidity	-	-40 ~ +75°C, 20 ~ 90% RH (Non Condensing)				
	Vibration	-	10~55Hz at 1G 3minutes period, 30minutes along X,Y and Z axis				
<b>Dimension</b>	Size(WxHxD) / Weight	mm/g	68 x39 x 198 / 980				
<b>Safety</b>	-	-	CE Built to meet UL8750				
<b>Emission</b>	Conducted Emission	-	Built to meet EN55015				

\*note1 : Type A,AD only

\*note2 : Frequency 50/60Hz





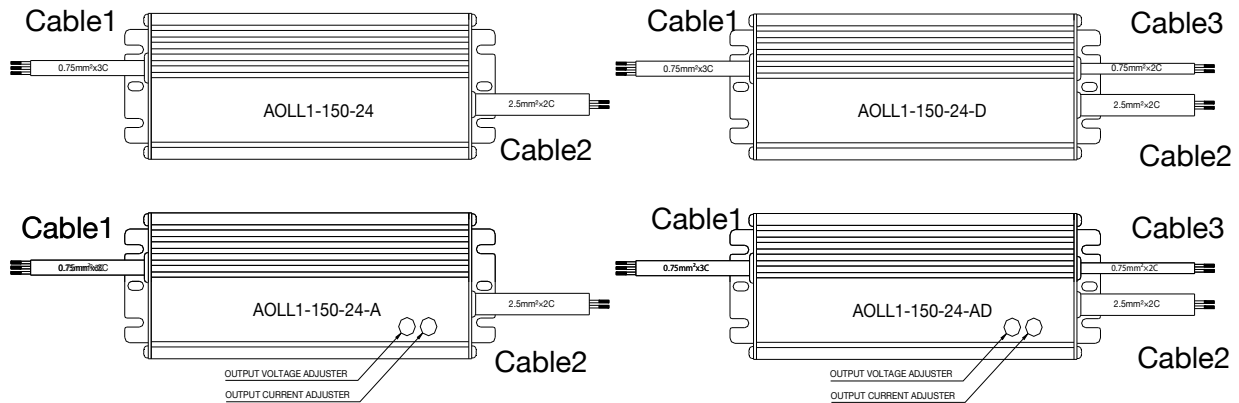
## AOLL1-150

## 150W Exterior LED Driver

### 1. BLOCK DIAGRAM



### 2. Terminal Connection



	Cable Type	Wire Color	Terminal
Cable1	60227 0.75mm <sup>2</sup> X 3C	BROWN	AC (L)
		SKY BLUE	AC (N)
		YELLOW/GREEN	FG
Cable2	60227 2.5mm <sup>2</sup> X 2C	BROWN	Output +
		SKY BLUE	Output -
Cable3	60227 0.75mm <sup>2</sup> X 2C	BROWN	Dimming +
		SKY BLUE	Dimming -

\* Size and Type for cable subject to change

\* Cable3 applies to D and AD type only





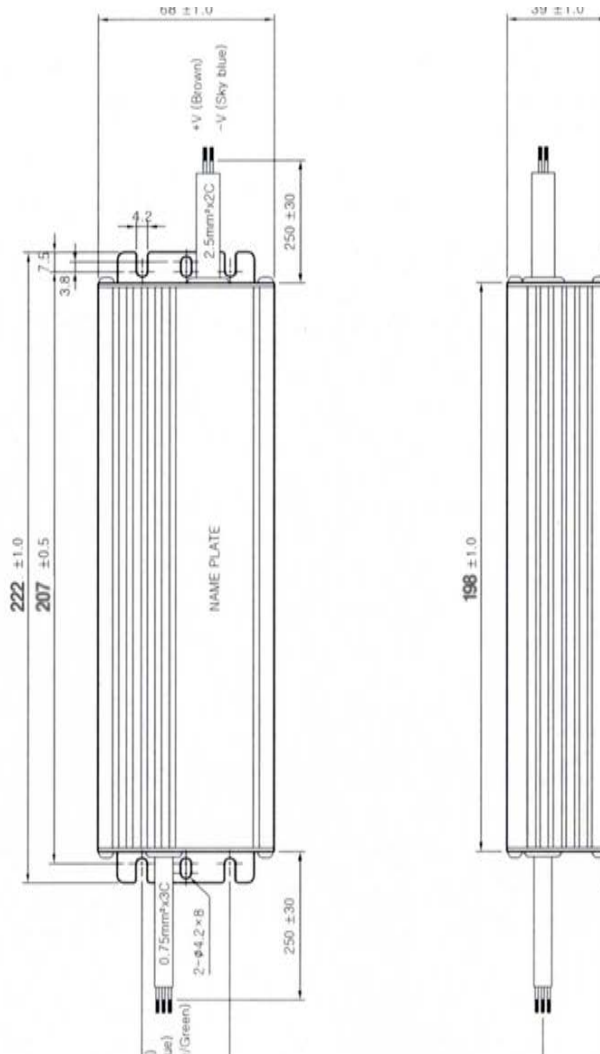
# ETA-USA

The Power Professionals

## AOLL1-150

## 150W Exterior LED Driver

### Dimensions



# ETA-USA

16170 Vineyard Blvd. Suite 180 Morgan Hill, CA 95037 <http://www.eta-usa.com>  
Toll-free (US only): 800-ETA-POWR (800-382-7697) Telephone: 408 778-2793 FAX: 408-779-2753



# ETA-USA

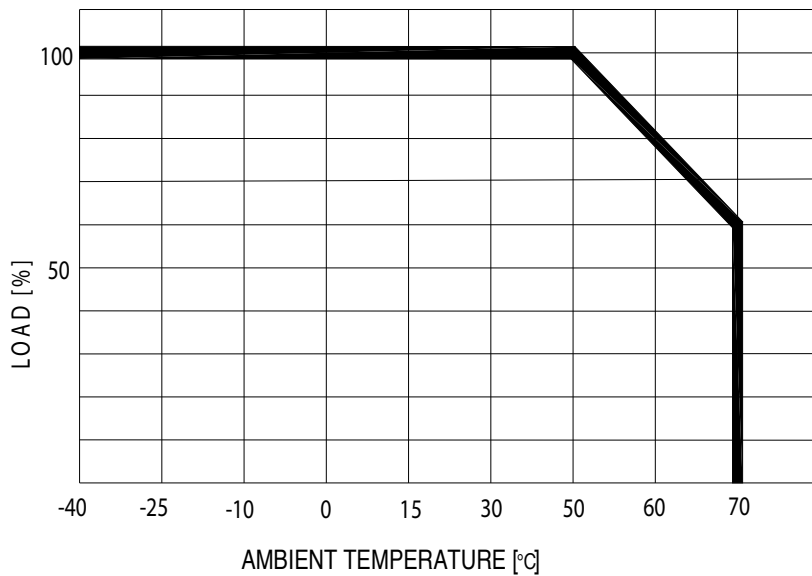
The Power Professionals

**AOLL1-150**

**150W Exterior LED Driver**

## Ambient Temperature Derating Curve

Output derating curve as follow when input voltage range is AC100~264V.



# ETA-USA

16170 Vineyard Blvd. Suite 180 Morgan Hill, CA 95037 <http://www.eta-usa.com>  
Toll-free (US only): 800-ETA-POWR (800-382-7697) Telephone: 408 778-2793 FAX: 408-779-2753