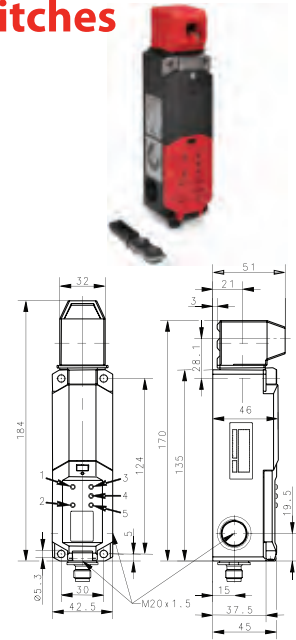


Intelligent Locking, Hinged and Rope Pull Switches

ASi SLK

With the ASi SLK BERNSTEIN offers a switch with interlock function and integrated Safety at Work interface. You can choose the functional principle, i.e. spring and magnet latching device. LED integrated in the switches indicate the bus status. The inserted actuator and the status of the latching device are also indicated by LEDs. The LEDs can also be optionally controlled via the PLC.

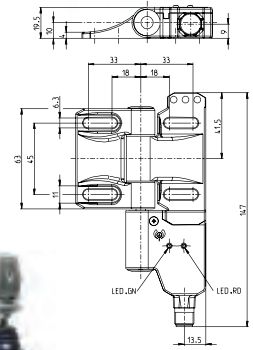
M12-connection	Direct connection
607.3200.058 ASi-SLK-F-R1 (Spring Latching / Normally Locked)	- -
607.3200.057 ASi-SLK-M-R0 (Magnetic Latching / Normally Unlocked)	- -



ASi SHS

With the SHS3 BERNSTEIN offers the only safety hinge switch with AS interface Safety at Work. As on the standard hinge, after adjustment, the user can correct the switching point with the integrated fine adjustment system. When converting a system you can redefine the switching point with the aid of a change kit.

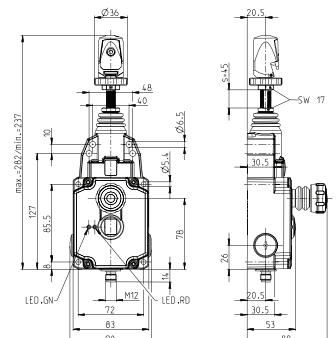
M12-connection	Direct connection
607.3200.011 ASi SHS3 SA R	- -
607.3200.013 ASi SHS3 SR R	- -



ASi SRM

Cable span lengths of up to 37.5 meters are possible with the SRM...175 (see information under Safety Cable Pull Switches). As in the standard range, the Q variant features the quick-connect head that drastically reduces the cable installation time.

M12-connection	Direct connection
607.3200.007 ASi SR M-FF-175	- -
607.3200.008 ASi SR M-FF-300	- -
607.3200.009 ASi SR M-LU-175	- -



Drawing dimensions in mm