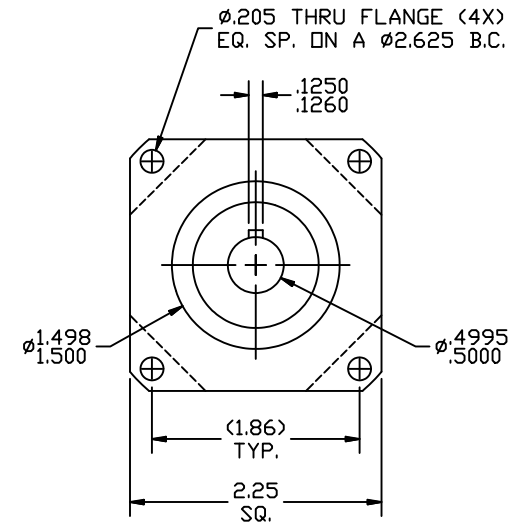
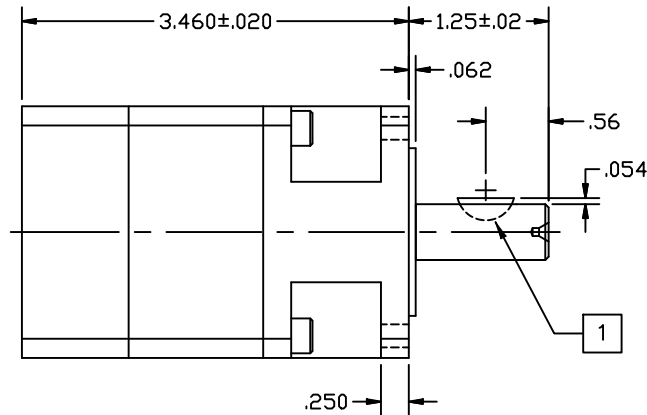
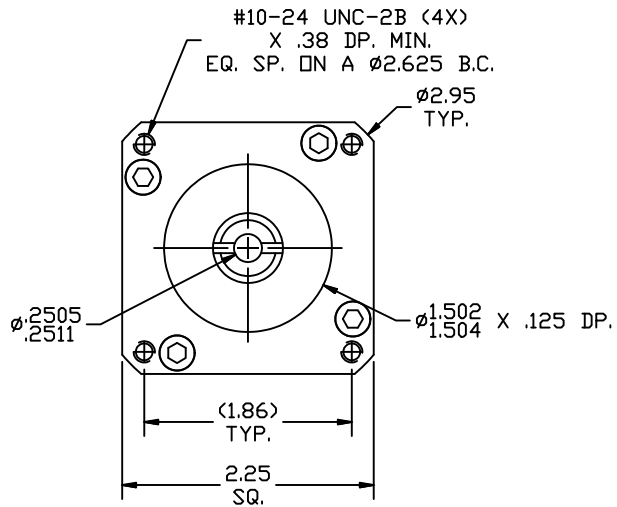


REVISIONS			
REV	DESCRIPTION	DATE	APPROVED
A	INITIAL RELEASE ECO 6709	2/22/13	J Kordik



NOTES: UNLESS OTHERWISE SPECIFIED

- 1 #404 WOODRUFF KEY.
2. 23PL070 RATIO- 70:1
3. FOR TECHNICAL DETAILS, CONTACT APPLIED MOTION PRODUCTS.

<b>TOLERANCES</b> DECIMALS: [MM] INCH X.XXX = ± .005 X.XX = ± [0.13] .010 X.X = ± [0.25] .020 ANGLES: MACH. = ±5° CHAM. = ±5°	<b>THIRD ANGLE PROJECTION</b> 		 <b>APPLIED MOTION PRODUCTS, INC.</b> <b>OUTLINE, GEAR HEAD, PL23, 2 STAGE</b>
	APPROVALS DRAWN <b>R. JONEZ</b> CHECKED	DATE <b>2/22/13</b>	
COMPUTER DATA BASE DRAWING	APPROVED	SCALE: FULL	REV <b>A</b> SHEET 1 OF 1