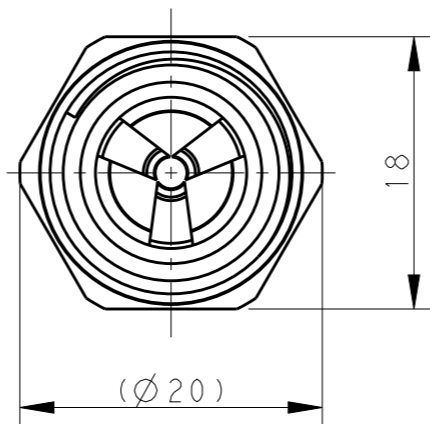
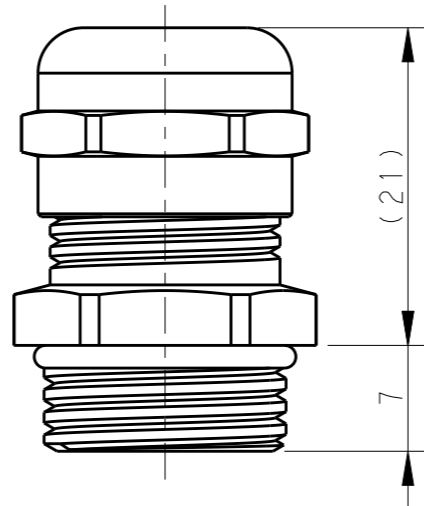
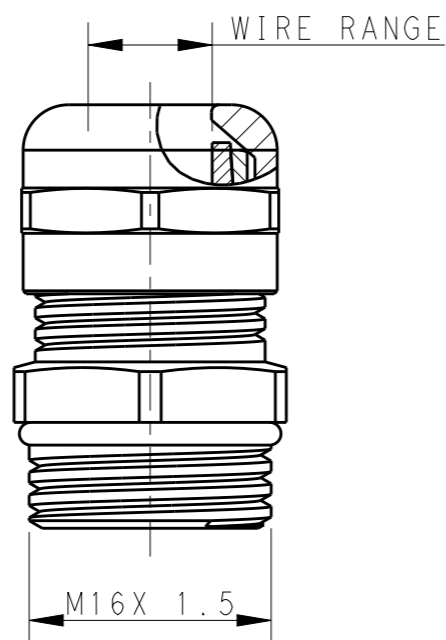
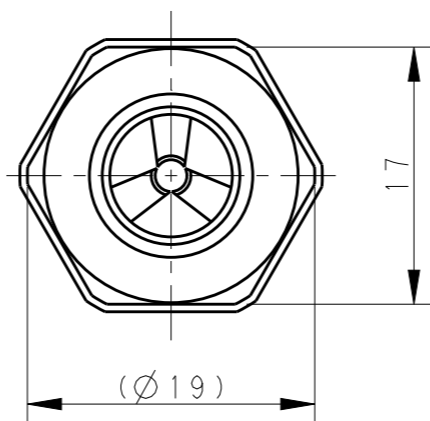
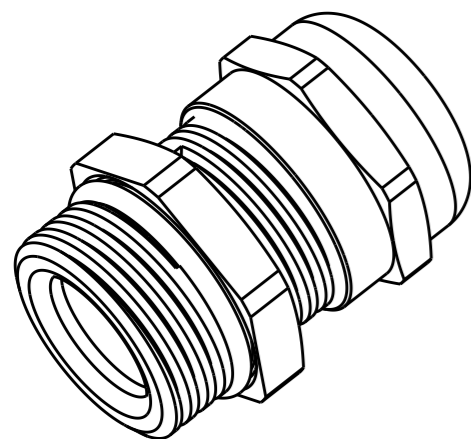


REVISIONS

P	LTR	DESCRIPTION	DATE	DWN	APVD
	A	INITIAL RELEASE	27APR2017	DW	CW



NOTES / 注解:

- I. TECHNICAL CHARACTERISTICS / 技术参数:  
 SHELL MATERIAL / 主体材料 : NICKEL PLATED BRASS / 铜镀镍  
 SEAL MATERIAL / 密封材料: RUBBER, BLACK  
 PINCH RING MATERIAL / 夹紧件材料: NYLON, GREY  
 OPERATION TEMPERATURE / 工作温度: -40°C - +100°C  
 PROTECTION DEGREE / 防护等级: IP68  
 WIRE RANGE / 夹线范围: 4-8 mm

T3707160103-000	DLX-16-MC (4-8) 电磁屏蔽金属接头 M16 (4-8)
PART NUMBER 料号	PART DESCRIPTION 描述

THIS DRAWING IS A CONTROLLED DOCUMENT.		DWN 07APR2017 DAVID WANG		
DIMENSIONS: mm		CHK 07APR2017 CHRIS WANG		
TOLERANCES UNLESS OTHERWISE SPECIFIED:		APVD 07APR2017 XIANG XU	NAME DLX-16-MC (4-8)	
0 PLC ±- 1 PLC ±- 2 PLC ±- 3 PLC ±- 4 PLC ±- ANGLES ±-		PRODUCT SPEC -	SIZE A3	
MATERIAL -		APPLICATION SPEC -	CAGE CODE -	DRAWING NO T3707160103000
FINISH -		WEIGHT -	RESTRICTED TO -	
CUSTOMER DRAWING			SCALE 2:1	SHEET 1 OF 1
			REV A	