

## Intelligent Keyed Safety and Limit Switches

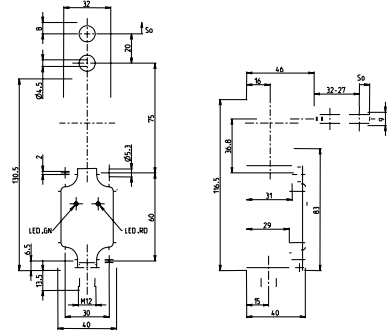
### ASI ENK

The ASI ENKK VTU with separate actuator is a very tough standard switch often used for monitoring safety gates and guards.

The enclosure and cover are made from fiber glass-reinforced thermoplastic.

LEDs that indicate the status of the ASI slave and bus are integrated in the cover.

Protection class IP65 in accordance with IEC/EN 60529 is guaranteed.



**M12-connection**

**607.3504.025**  
ASI ENK VTU



**Direct connection**

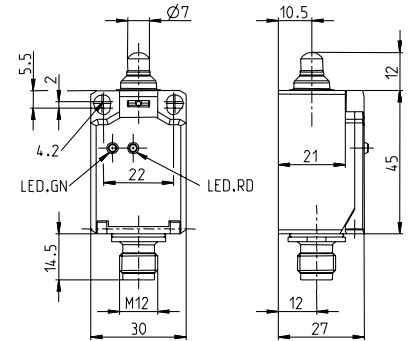
**607.3504.038**  
ASI ENK VTU D



### ASI Ti2

The Ti2 family with its extremely compact dimensions is the only ASI switch family in this class.

The captive snap-on cover contributes to the protection rating of IP65 in accordance with EN 60529, DIN VED 0470 T1.



**M12-connection**

**607.3401.018**  
ASI Ti2 w



**Direct connection**

**607.3401.033**  
ASI Ti2 W D



**607.3402.019**  
ASI Ti2 Riw

**607.3402.034**  
ASI Ti2 RIW D

**607.3403.020**  
ASI Ti2 Hw

**607.3403.035**  
ASI Ti2 HW D

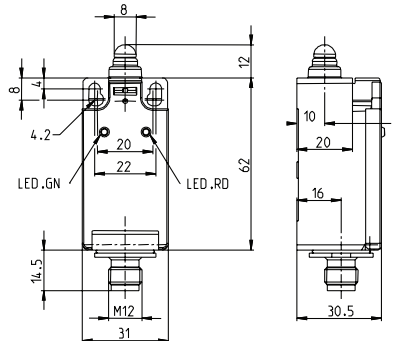
### ASI I88

The ASI I88 conforming to EN 50047 is a standard switch used in a wide range of applications.

The enclosure and cover are made from fiber glass-reinforced thermoplastic.

LEDs that indicate the status of the ASI slave and bus are integrated in the cover.

Protection class IP65 in accordance with IEC/EN 60529 is guaranteed.



**M12-connection**

**607.3301.015**  
ASI I88 w



**Direct connection**

**607.3301.030**  
ASI I88 W D



**607.3302.016**  
ASI I88 RiwK

**607.3302.031**  
ASI I88 RIWK D

**607.3303.017**  
ASI I88 Hw

**607.3303.032**  
ASI I88 HW D

Drawing dimensions in mm