

Intelligent Keyed Safety and Limit Switches

ASI ENK

The ASI ENKK VTU with separate actuator is a very tough standard switch often used for monitoring safety gates and guards.

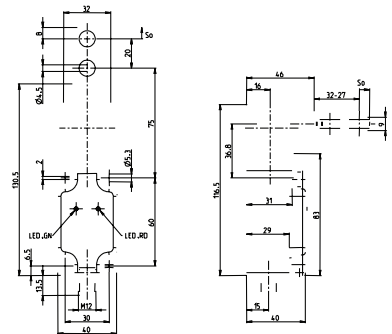
The enclosure and cover are made from fiber glass-reinforced thermoplastic.

LEDs that indicate the status of the ASI slave and bus are integrated in the cover.

Protection class IP65 in accordance with IEC/EN 60529 is guaranteed.



M12-connection	Direct connection
607.3504.025 ASI ENK VTU	607.3504.038 ASI ENK VTU D
-	-



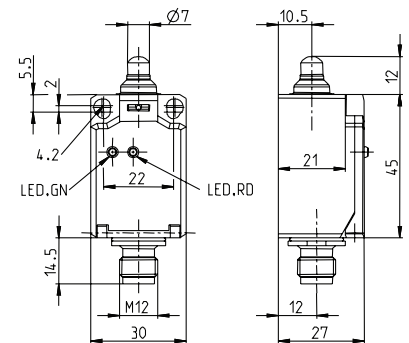
ASI Ti2

The Ti2 family with its extremely compact dimensions is the only ASI switch family in this class.

The captive snap-on cover contributes to the protection rating of IP65 in accordance with EN 60529, DIN VED 0470 T1.



M12-connection	Direct connection
607.3401.018 ASI Ti2 w	607.3401.033 ASI Ti2 W D
607.3402.019 ASI Ti2 Riw	607.3402.034 ASI Ti2 RIW D
607.3403.020 ASI Ti2 Hw	607.3403.035 ASI Ti2 HW D



ASI I88

The ASI I88 conforming to EN 50047 is a standard switch used in a wide range of applications.

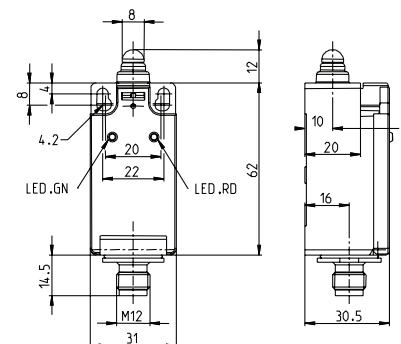
The enclosure and cover are made from fiber glass-reinforced thermoplastic.

LEDs that indicate the status of the ASI slave and bus are integrated in the cover.

Protection class IP65 in accordance with IEC/EN 60529 is guaranteed.



M12-connection	Direct connection
607.3301.015 ASI I88 w	607.3301.030 ASI I88 W D
607.3302.016 ASI I88 RiwK	607.3302.031 ASI I88 RIWK D
607.3303.017 ASI I88 Hw	607.3303.032 ASI I88 HW D



Drawing dimensions in mm