

Intelligent Keyed Safety and Limit Switches

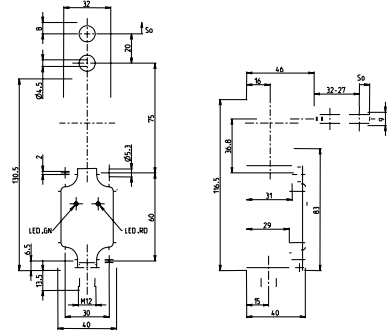
ASI ENK

The ASI ENKK VTU with separate actuator is a very tough standard switch often used for monitoring safety gates and guards.

The enclosure and cover are made from fiber glass-reinforced thermoplastic.

LEDs that indicate the status of the ASI slave and bus are integrated in the cover.

Protection class IP65 in accordance with IEC/EN 60529 is guaranteed.



M12-connection

607.3504.025
ASI ENK VTU



Direct connection

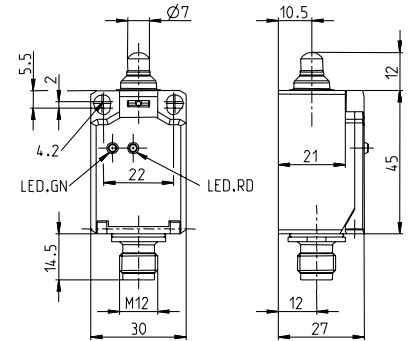
607.3504.038
ASI ENK VTU D



ASI Ti2

The Ti2 family with its extremely compact dimensions is the only ASI switch family in this class.

The captive snap-on cover contributes to the protection rating of IP65 in accordance with EN 60529, DIN VED 0470 T1.



M12-connection

607.3401.018
ASI Ti2 w

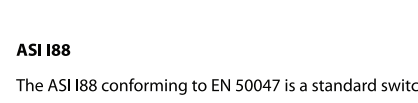


Direct connection

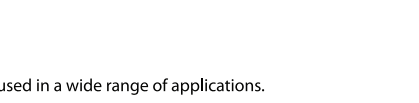
607.3401.033
ASI Ti2 W D



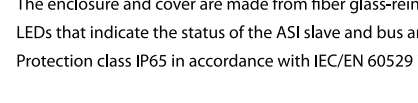
607.3402.019
ASI Ti2 Riw



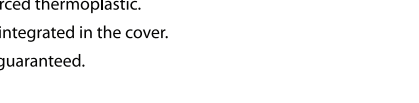
607.3402.034
ASI Ti2 RIW D



607.3403.020
ASI Ti2 Hw



607.3403.035
ASI Ti2 HW D



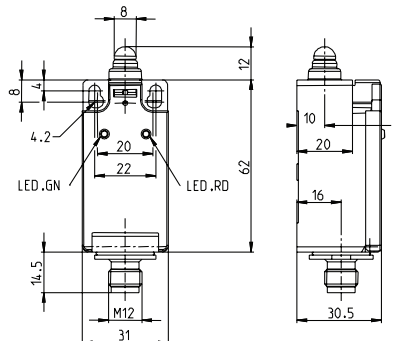
ASI I88

The ASI I88 conforming to EN 50047 is a standard switch used in a wide range of applications.

The enclosure and cover are made from fiber glass-reinforced thermoplastic.

LEDs that indicate the status of the ASI slave and bus are integrated in the cover.

Protection class IP65 in accordance with IEC/EN 60529 is guaranteed.



M12-connection

607.3301.015
ASI I88 w



Direct connection

607.3301.030
ASI I88 W D



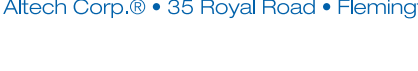
607.3302.016
ASI I88 RiwK



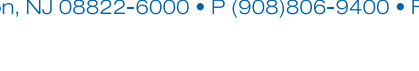
607.3302.031
ASI I88 RIWK D



607.3303.017
ASI I88 Hw



607.3303.032
ASI I88 HW D



Drawing dimensions in mm