

## Intelligent Keyed Safety and Limit Switches

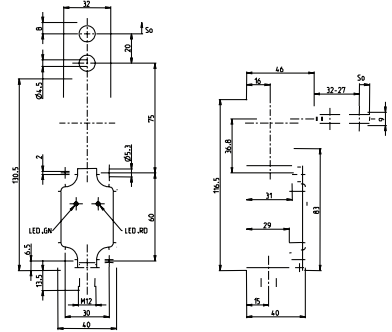
### ASI ENK

The ASI ENKK VTU with separate actuator is a very tough standard switch often used for monitoring safety gates and guards.

The enclosure and cover are made from fiber glass-reinforced thermoplastic.

LEDs that indicate the status of the ASI slave and bus are integrated in the cover.

Protection class IP65 in accordance with IEC/EN 60529 is guaranteed.

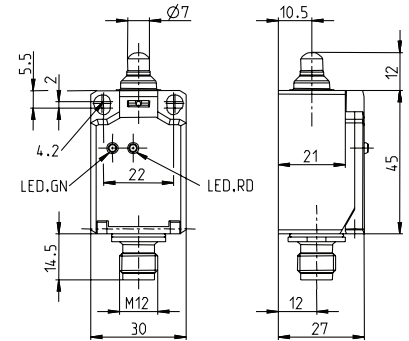


M12-connection	Direct connection
<b>607.3504.025</b> ASI ENK VTU	<b>607.3504.038</b> ASI ENK VTU D
-	-

### ASI Ti2

The Ti2 family with its extremely compact dimensions is the only ASI switch family in this class.

The captive snap-on cover contributes to the protection rating of IP65 in accordance with EN 60529, DIN VED 0470 T1.



M12-connection	Direct connection
<b>607.3401.018</b> ASI Ti2 w	<b>607.3401.033</b> ASI Ti2 W D
<b>607.3402.019</b> ASI Ti2 Riw	<b>607.3402.034</b> ASI Ti2 RIW D
<b>607.3403.020</b> ASI Ti2 Hw	<b>607.3403.035</b> ASI Ti2 HW D

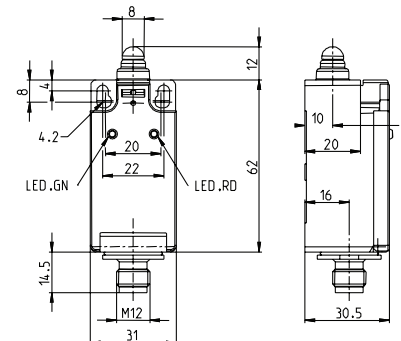
### ASI I88

The ASI I88 conforming to EN 50047 is a standard switch used in a wide range of applications.

The enclosure and cover are made from fiber glass-reinforced thermoplastic.

LEDs that indicate the status of the ASI slave and bus are integrated in the cover.

Protection class IP65 in accordance with IEC/EN 60529 is guaranteed.



M12-connection	Direct connection
<b>607.3301.015</b> ASI I88 w	<b>607.3301.030</b> ASI I88 W D
<b>607.3302.016</b> ASI I88 RiwK	<b>607.3302.031</b> ASI I88 RIWK D
<b>607.3303.017</b> ASI I88 Hw	<b>607.3303.032</b> ASI I88 HW D

Drawing dimensions in mm