

# IDP31-215W

**100% flat fronted touch, industrial grade monitors. Ultra thin profile, smooth rounded corners, bezel-less, and rugged glass fronted for a totally contemporary outlook**



## Features

- 21.5" LCD wide screen panel with LED backlight for long service life
- Wide operating temperature 0 to 45° C
- Regular brightness 250 CD/m<sup>2</sup>
- True flat surface – contemporary Proflat style
- Wide view-angle for portrait and landscape mode
- Built-in speakers
- Thin profile, enclosure – no need for additional enclosures or metalwork
- Multi-touch PCT touch with USB interface
- Flexible signal interface: VGA, DVI & HDMI
- Versatile mounting methods for front mounting and VESA mounting
- Anti-Reflective surface treatment for sunlight readable enhancement (optional)
- RS-232 port for remote control (optional)

## Introduction

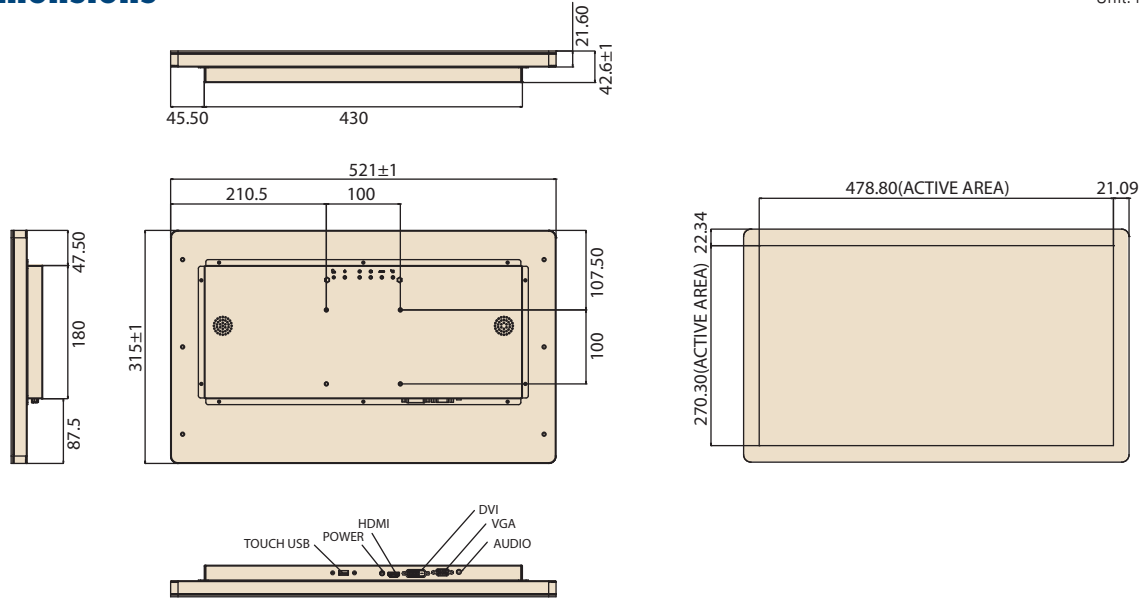
The IDP31-215W Proflat monitor responds to a demand for contemporary styling in demanding applications such as public signage, front of house information, medical and point-of-sale. The product features a truly-flat, easy to clean and maintain glass surface with long term product availability. IDP31-215W can be used in either portrait or landscape mode and is cleverly packaged in such a way that no further mechanical parts are needed other than a VESA mount to create a display system. The use of a metal chassis provides a rugged and stable platform to build solutions for the widest range of applications.

## Specifications

Display Features	Spec	Notes
Model	IDP31-215W	
Backlight	LED	Light source
Resolution	1920 x 1080	Full HD
Brightness	250 cd/m <sup>2</sup>	Measured at typical operating voltage
Viewing Angle	89°/89°/89°/89°	Left/Right/Up/Down
Max Colors	16.7M	
Contrast Ratio	1000:1	
Response Time	25 ms	Maximum
Backlight Lifetime	30,000 hours	Typical time to half brightness in room temperature operation
Touchscreen Type	Projected Capacitive	10 points
Surface Hardness	6H	Pencil hardness
Durability	10 million times	Minimum
Transparency	86%	Minimum
Cover Glass Thickness	3mm	
Operating Temperature	0 ~ 45° C	
Storage Temperature	-20 ~ 60° C	
Humidity	90% @ 40° C	Non-condensing
Input/Output	HDMI x 1; VGA x 1; DVI-D x 1 Audio x 1 (audio output 3W) 12 V <sub>DC</sub> Jack x 1; USB x 1	USB is reserved for the connection to enable touch only
OSD	Keys: Menu, Up, Down, Auto Adjust, Monitor Power on/off Menu Functions: Brightness, Contrast, Screen Settings, Color Temp, Language OSD settings, VGA/DVI, Recall, Auto Adjust	
Power Consumption	16W	
Power Input	12V <sub>DC</sub> ± 5%	With barrel connector 5.5 x 2.5 mm

**Dimensions**

Unit: mm [inch]



**Ordering Information**

Model Name	Description
IDP31-215WP25HIB2	21.5" widescreen, Industrial black ProFlat monitor with PCT Multi-touch touchscreen, 250CD/m2 brightness, VGA & DVI & HDMI input

**Optional Items**

Part Number	Description
1700027186-01	HDMI cable 1.5 meter
1700023591-01	HDMI cable 1.2 meter
1702002600	3-Pin power cord (USA)
1700000596	3-Pin power cord (China)
1700018705	3-Pin power cord (EU)
1700008921	3-Pin power cord with PSE (Japan)
1700000243-11	DVI cable 2.0 meter
96PSA-A60W12R1-1	Adapter AC100-240V 60W +12V/5A DPS-60PB A

**Packing List**

Part Number	Description
1700002215	1 x M Cable USB-A(M)/USB-A(M) 180CM
1700021332-11	1 x VGA cable 15P(M) 1.8 meter