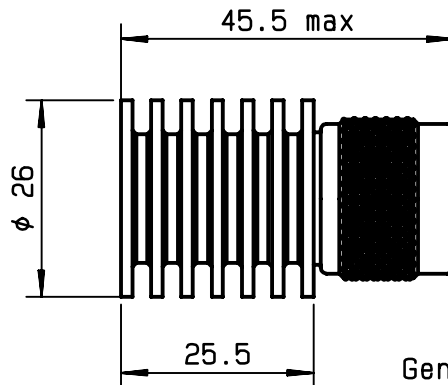


TITLE: 6 W 18GHZ N/m COAXIAL TERMINATION

LTR. C

DRAWING



General tolerances: +/- 0.5 mm

ELECTRICAL CHARACTERISTICS

| | | |
|------------------------|---------------|----------------------------|
| FREQUENCY RANGE | : | DC - 18GHz |
| IMPEDANCE | : | 50 Ohms |
| DC RESISTANCE | : | 50 Ohms ± 5 % |
| AVERAGE POWER HANDLING | : | 6 W at 75°C |
| PEAK POWER HANDLING | : | 300 W (1 μs, 1%.) at 25°C |
| V.S.W.R : | DC - 4 GHz | : ≤ 1.15 |
| | 4 - 8 GHz | : ≤ 1.20 |
| | 8 - 12.4 GHz | : ≤ 1.25 |
| | 12.4 - 18 GHz | : ≤ 1.30 |

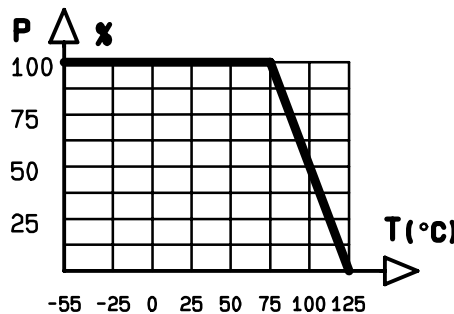
MECHANICAL CHARACTERISTICS

| | | |
|----------------|---|------------------------|
| CONNECTOR | : | N male per MIL C 39012 |
| MAXIMUM WEIGHT | : | 60 grams |

ENVIRONMENTAL CHARACTERISTICS

| | | |
|----------------------------------|---|------------|
| OPERATING TEMPERATURE RANGE (°C) | : | -55 , +125 |
| STORAGE TEMPERATURE RANGE (°C) | : | -55 , +125 |

Power derating
Versus temperature



Tentative data subject to change without notice

| | | | | | | |
|--------------------------|-------------------------|-------------------|---|-------------|-------------|----|
| PEN CAT | QUALITY Dpt App. | | | | | |
| | | | C | New format | 22.10.92 | PG |
| PAGE 1 / 1 | DATE 26.01.90 | NAME DP | B | New model | 26.01.90 | KL |
| LTR | REVISIONS | | | DATE | APP. | |