

## NX2016SA For OA / AV/ Short-range Wireless

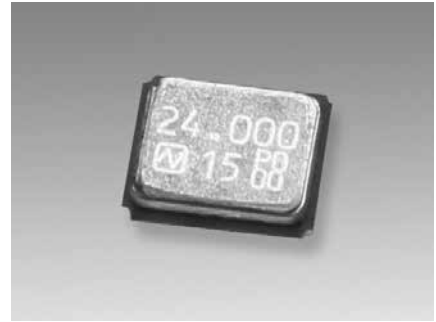
### ■ Features

A small and thin surface-mount type crystal unit, especially suited for small-sizing requirements.

- Ultra compact and thin. (2.0 × 1.6 × 0.45 mm )
- Excellent environmental characteristics, including heat and shock resistance.
- Excellent electrical performance, ideal for OA (office automation), AV(audiovisual), Bluetooth and Wireless LAN applications.
- Lead-free. Meets the requirements for re-flow profiling using lead-free solder.

Pb Free

RoHS Compliant  
Directive 2011/65/EU  
Directive (EU) 2015/863



### ■ Specifications

Item	Model	NX2016SA	
		Standard	Optional
Nominal Frequency (MHz)		16 to 80	16 to 80
Overtone Order		Fundamental	Fundamental
Frequency Tolerance (25 ±3 °C)		±10 × 10 <sup>-6</sup>	±10 × 10 <sup>-6</sup>
Frequency versus Temperature Characteristics (with reference to +25 °C)		±25 × 10 <sup>-6</sup>	±15 × 10 <sup>-6</sup> (Temp extended case, *1)
Operating Temperature Range (°C)		-40 to +85	-10 to +75 -40 to +85 *1
Storage Temperature Range (°C)		-40 to +85	-40 to +85
Equivalent Series Resistance		Refer to *2	Refer to *2
Level of Drive (µW)		10 (Max. 100)	10 (Max. 100)
Load Capacitance (pF)		8	6 to 18
Frequency Aging (+25°C)			Max. ±3 × 10 <sup>-6</sup> / year *1
Specifications Number		STD-CZS-7	STD-CZS-6 Refer to *3

Please specify the model name, frequency, and specification number when you order products.

For further questions regarding specifications, please feel free to contact us.

\*1 If you have any other requests, NDK will study it.

\*3 Ordering information: Overtone Order Fundamental / 3rd Overtone, the Operating Temperature Range, Frequency versus Temperature Characteristics, Frequency Tolerance, and Load Capacitance.

Ex. Model, Frequency (38.400000MHz 6digits), S1:Fundamental or S3:3rd Overtone

- Operating Temperature Range (-40 to +85°C) - Frequency versus Temperature Characteristics (±25×10<sup>-6</sup>)

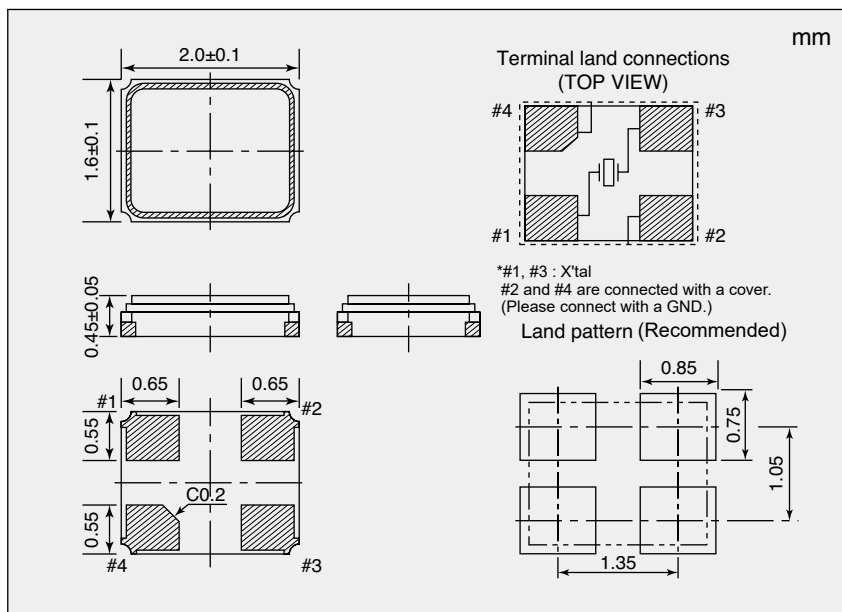
- Frequency Tolerance (±12×10<sup>-6</sup>) - Load Capacitance (7pF)

NX2016SA

38.400000MHz

S1-4085-25-12-7

### ■ Dimensions



\*2 Equivalent Series Resistance

Nominal Frequency (MHz)	Equivalent Series Resistance Max. (Ω)
16 to 18	200
18 to 20	150
20 to 24	100
24 to 26	80
26 to 40	60
40 to 80	50

If you have any other requests, NDK will study it.