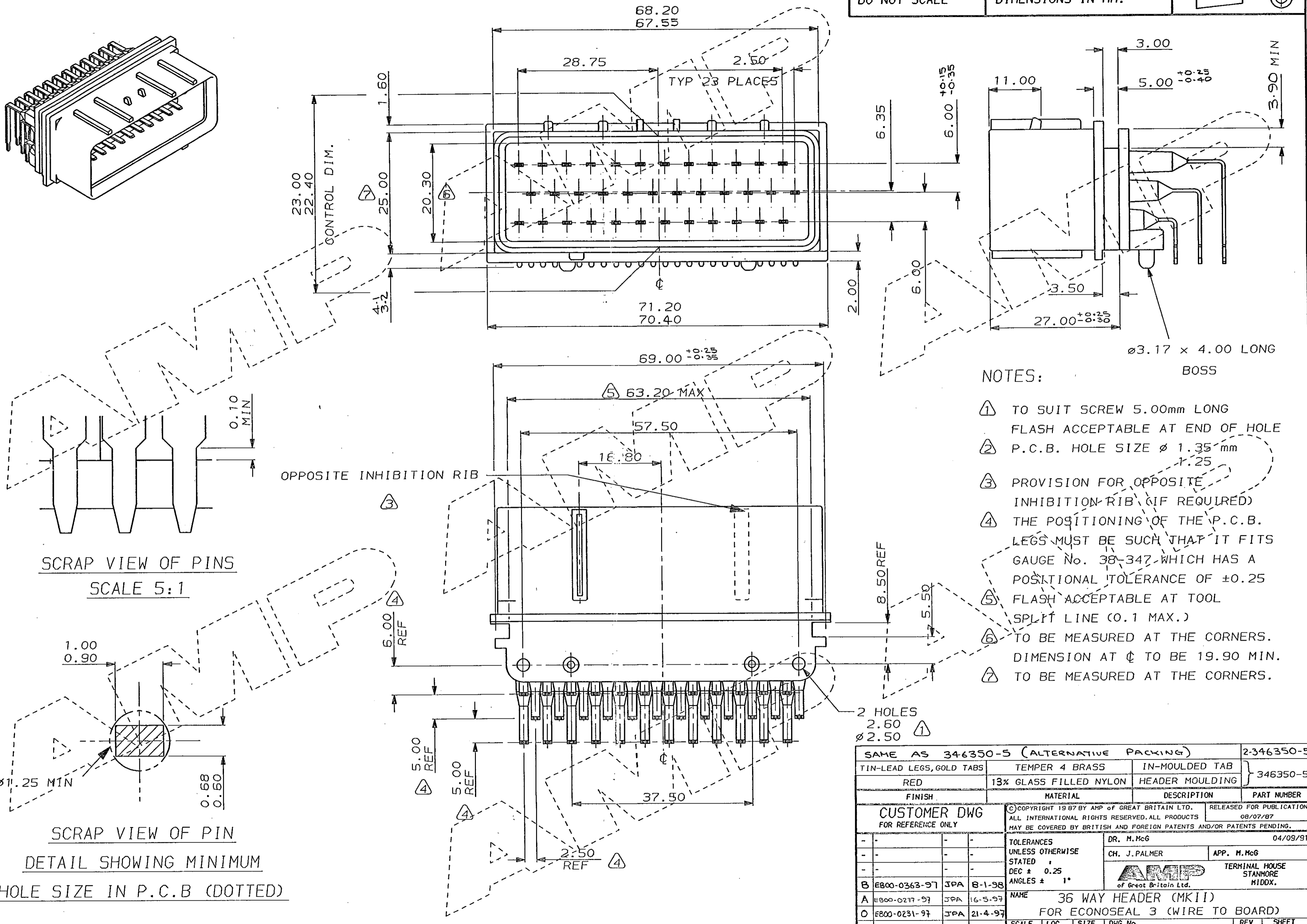
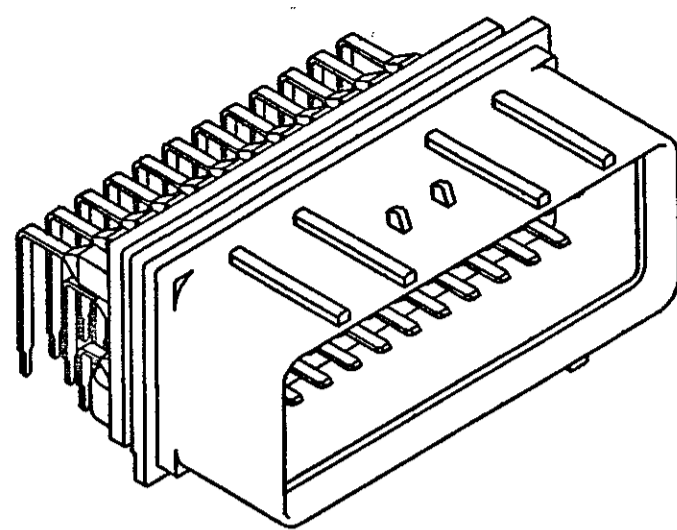


C.A.D. FILE CODE
S. C346350.

DO NOT SCALE DIMENSIONS IN MM.



- NOTES:
- ① TO SUIT SCREW 5.00mm LONG
FLASH ACCEPTABLE AT END OF HOLE
 - ② P.C.B. HOLE SIZE ϕ 1.35 mm
 - ③ PROVISION FOR OPPOSITE INHIBITION RIB (IF REQUIRED)
 - ④ THE POSITIONING OF THE P.C.B. LEGS MUST BE SUCH THAT IT FITS GAUGE No. 38-347 WHICH HAS A POSITIONAL TOLERANCE OF ± 0.25
 - ⑤ FLASH ACCEPTABLE AT TOOL SPLIT LINE (0.1 MAX.)
 - ⑥ TO BE MEASURED AT THE CORNERS. DIMENSION AT ϕ TO BE 19.90 MIN.
 - ⑦ TO BE MEASURED AT THE CORNERS.

SCRAP VIEW OF PINS
SCALE 5:1

SCRAP VIEW OF PIN
DETAIL SHOWING MINIMUM
HOLE SIZE IN P.C.B (DOTTED)

SAME AS 346350-5 (ALTERNATIVE PACKING)			2-346350-5
TIN-LEAD LEGS, GOLD TABS	TEMPER 4 BRASS	IN-MOULDED TAB	346350-5
RED	13% GLASS FILLED NYLON	HEADER MouldING	
FINISH	MATERIAL	DESCRIPTION	PART NUMBER
CUSTOMER DWG FOR REFERENCE ONLY		© COPYRIGHT 1987 BY AMP OF GREAT BRITAIN LTD. ALL INTERNATIONAL RIGHTS RESERVED. ALL PRODUCTS MAY BE COVERED BY BRITISH AND FOREIGN PATENTS AND/OR PATENTS PENDING.	
-		TOLERANCES UNLESS OTHERWISE STATED DEC \pm 0.25 ANGLES \pm 1°	DR. M. McG CH. J. PALMER APP. M. McG TERMINAL HOUSE STANMORE HIDD.
B	E800-0363-97	JPA	8-1-98
A	E800-0277-97	JPA	16-5-97
O	E800-0231-97	JPA	21-4-97
REV	M. McG	DATE	04/02/91
APPROVED	ECN	DATE	2/1 E A2 C346350
NAME			36 WAY HEADER (MKII) FOR ECONOSEAL 3 (WIRE TO BOARD)
SCALE	LOC	SIZE	DWG. No.
2/1	E	A2	C346350
REV	APPROVED	ECN	DATE
B			1/1