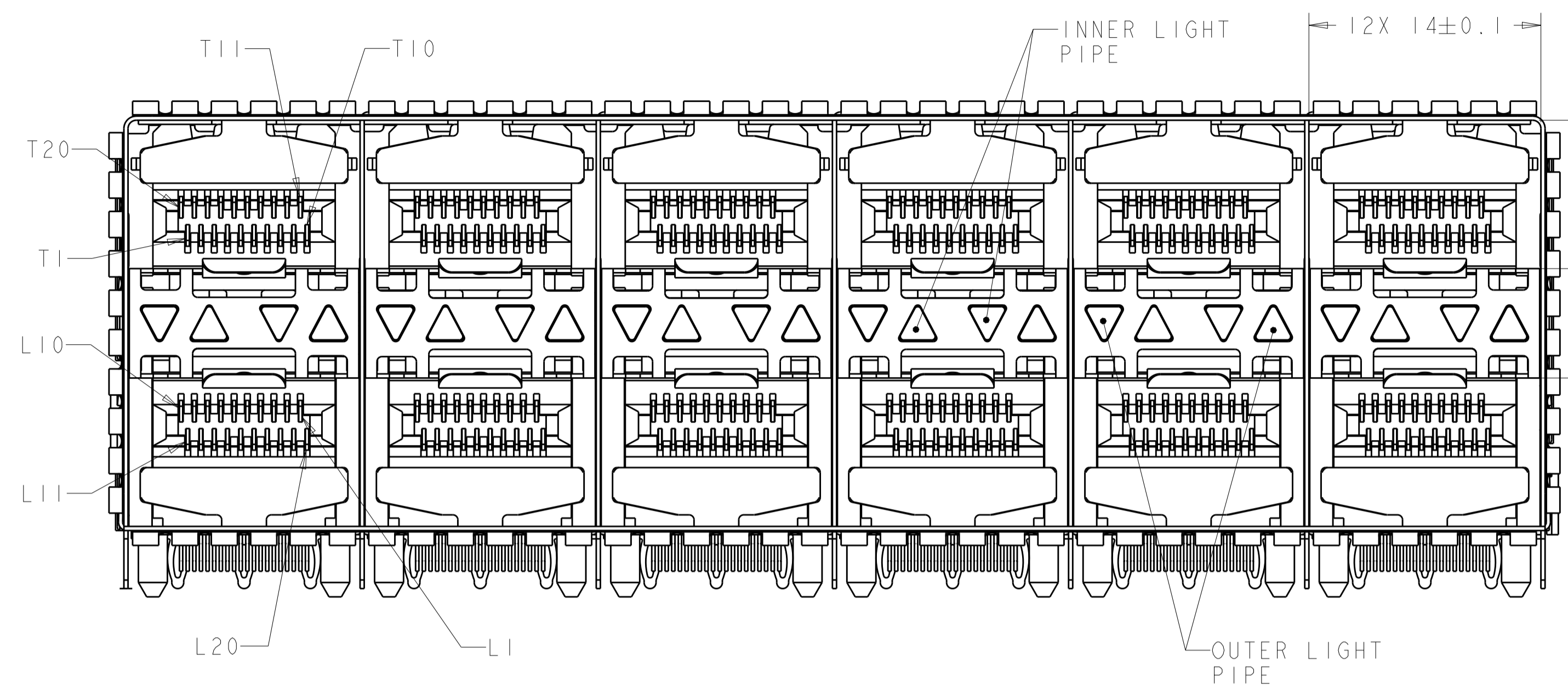
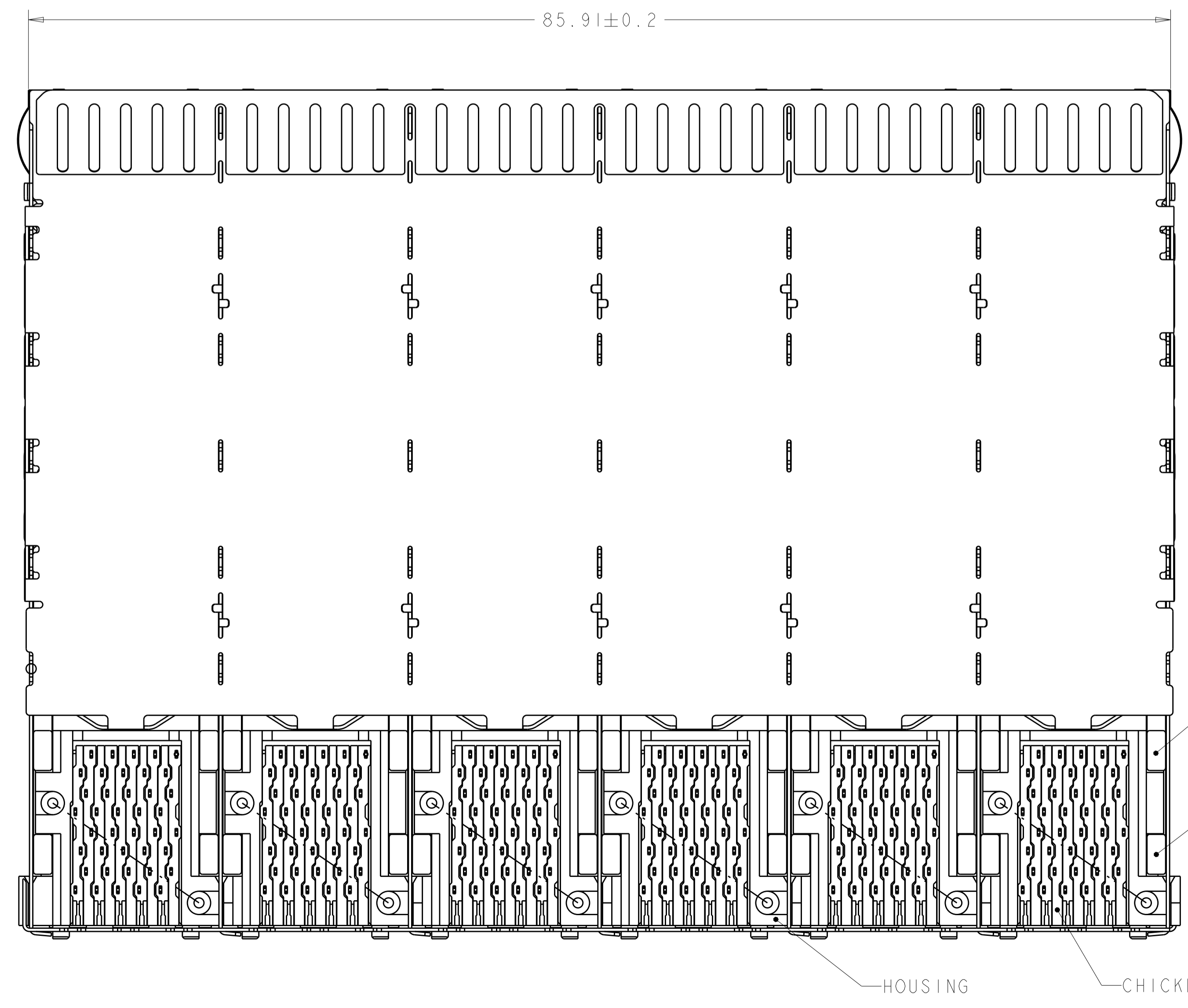
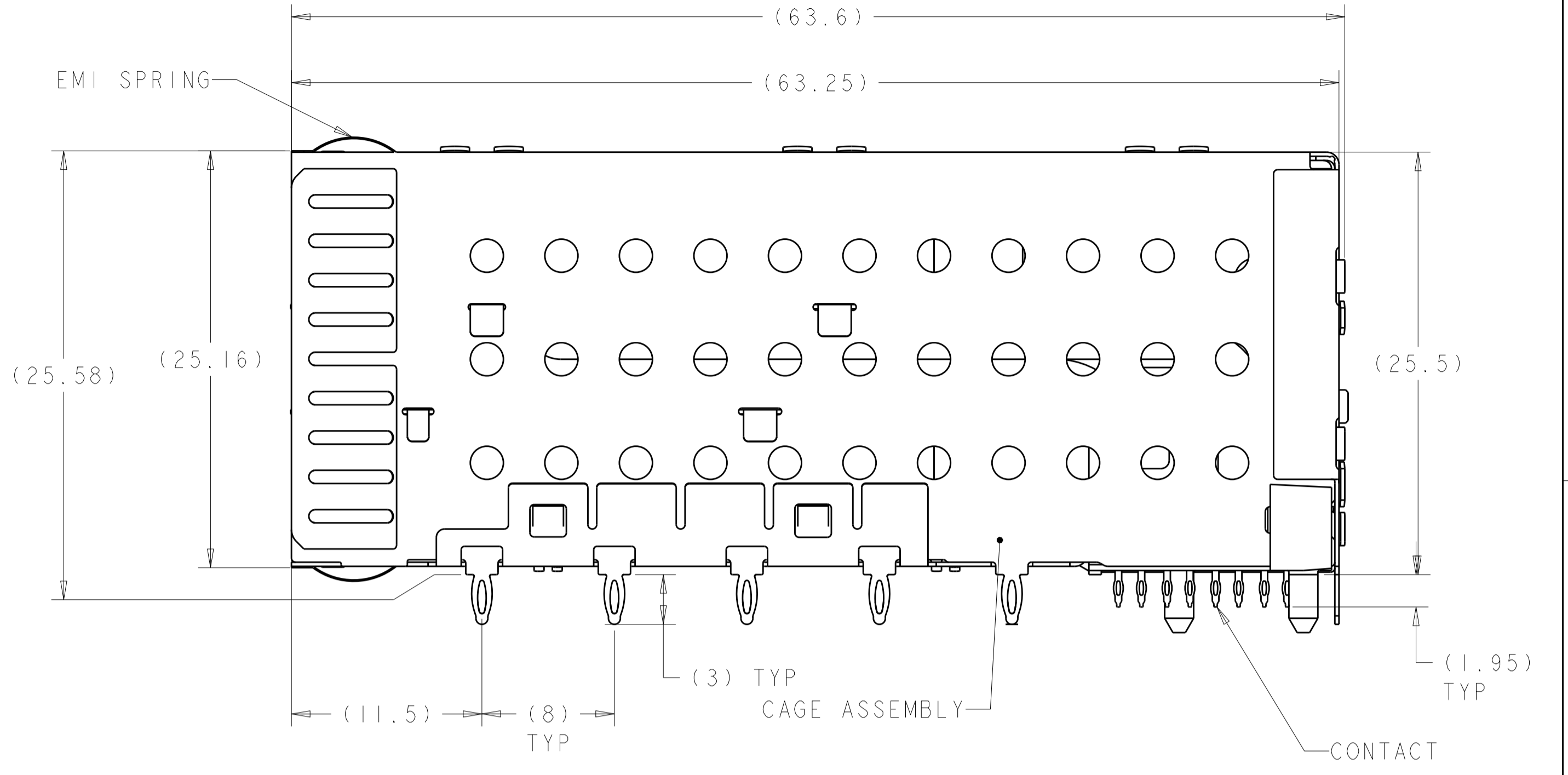


LOC	DIST	REV	DATE	BY	CHKD	APVD
GP	00					
D		REVISED PER ECO-15-017919	04APR2016	AP	RP	
E		REVISED PER ECO-18-014006	06SEP2018	IT	SH	



2007562-5 AS SHOWN



- △ MATERIALS:
 CAGE ASSEMBLY- NICKEL SILVER ALLOY PER ASTM B 122.
 EMI SPRING- COPPER ALLOY.
 HOUSING- BLACK LCP, UL 94V-0 RATED.
 CHICKLET- BLACK LCP, UL 94V-0 RATED.
 LIGHT PIPE- POLYCARBONATE, CLEAR.
 INSERT- LCP, BLACK, UL 94V-0.
 CONTACT- COPPER ALLOY.
- △ DATUM AND BASIC DIMENSIONS ESTABLISHED BY CUSTOMER.
- 3. MINIMUM PCB THICKNESS OF 1.5.
- △ CONTACT FINISH- CONFORMS TO THE REQUIREMENTS OF TYCO ELECTRONICS PRODUCT SPECIFICATION 108-2331, BASED ON EIA/ECA-364-1000.01A, (CONTROLLED ENVIRONMENT APPLICATIONS) ON MATING INTERFACE, TIN-LEAD ON NEEDLE EYE.
- △ CONTACT FINISH- CONFORMS TO THE REQUIREMENTS OF TYCO ELECTRONICS PRODUCT SPECIFICATION 108-2331 BASED ON EIA/ECA-364-1000.01A, (CONTROLLED ENVIRONMENT APPLICATIONS) ON MATING INTERFACE, TIN ON NEEDLE EYE.
- △ FOR HOLE SIZE AND PLATINGS, SEE APPLICATION SPEC 114-13219.
- △ THE ENTIRE AREA OF THE CONNECTOR FOOTPRINT, INDICATED BY THE DASHED LINE, TO BE CONSIDERED THE KEEPOUT AREA FOR COMPONENTS AND SIGNAL TRACES, TOP SIDE ONLY. TOP SIDE TRACES ALLOWED WITHIN CONNECTOR HOLE PATTERN.
- △ LIGHT PIPE PAD LAYOUT IS FOR 0805 LOW PROFILE LED PACKAGE WITH A HEIGHT OF 0.8mm.
- △ EMI SPRING FINISH: 0.8µm MINIMUM MATTE TIN OVER 0.8µm MINIMUM NICKEL, NONPLATED EDGES PERMISSIBLE.
- △ ADDITIONAL COMPONENT LOCATED WITHIN LATCH PLATE FOR EMI SUPPRESSION.
- △ CAGE ASSEMBLY FINISH: NICKEL PLATING 1.27UM MIN ALL OVER, EDGE EXPOSED ARE ALLOWED. CONTACT FINISH: CONFORMS TO THE REQUIREMENTS OF TYCO ELECTRONICS PRODUCT SPECIFICATION 108-2331 BASED ON EIA/ECA-364-1000.01A, (CONTROLLED ENVIRONMENT APPLICATIONS) ON MATING INTERFACE, TIN ON NEEDLE EYE.

NO	△	DESCRIPTION	PART NUMBER
NO	△	NO LIGHT PIPES	2-2007562-8
YES	△	NO LIGHT PIPES	1-2007562-8
	△	OUTER 2 LIGHT PIPES	1-2007562-7
	△	INNER 2 LIGHT PIPES	1-2007562-6
	△	4 LIGHT PIPES	1-2007562-5
NO	△	NO LIGHT PIPES	2007562-8
	△	OUTER 2 LIGHT PIPES	2007562-7
	△	INNER 2 LIGHT PIPES	2007562-6
	△	4 LIGHT PIPES	2007562-5
ENHANCED EMI	FINISH	DESCRIPTION	PART NUMBER

THIS DRAWING IS A CONTROLLED DOCUMENT. DIMENSIONING AND TOLERANCING PER ASME Y14.5M-2009. TOLERANCES UNLESS OTHERWISE SPECIFIED:

DIMENSIONS:	mm	0 PLC ±0.10	1 PLC ±0.10	2 PLC ±0.10	3 PLC ±0.10	4 PLC ±0.10	ANGLES ±°	FINISH	△ 4 △ 5 △ 9
-------------	----	-------------	-------------	-------------	-------------	-------------	-----------	--------	-------------

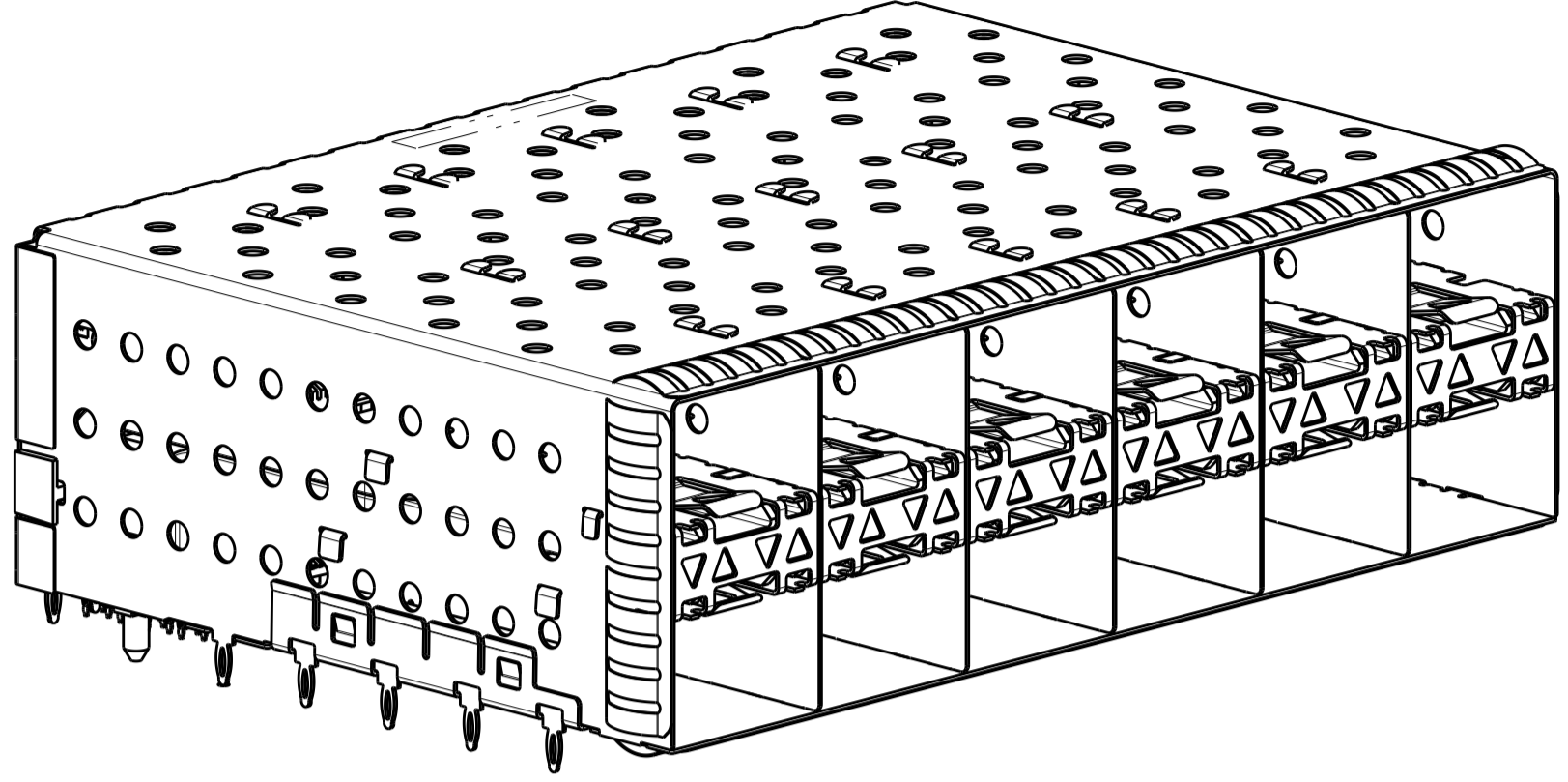
MATERIAL: △ 1

DATE: 14JAN2008
 CHK: M. SHIRK
 D. SZCZESNY
 APVD: D. SZCZESNY
 PRODUCT SPEC: 108-2331
 APPLICATION SPEC: 114-13219
 WEIGHT: -
 CUSTOMER DRAWING

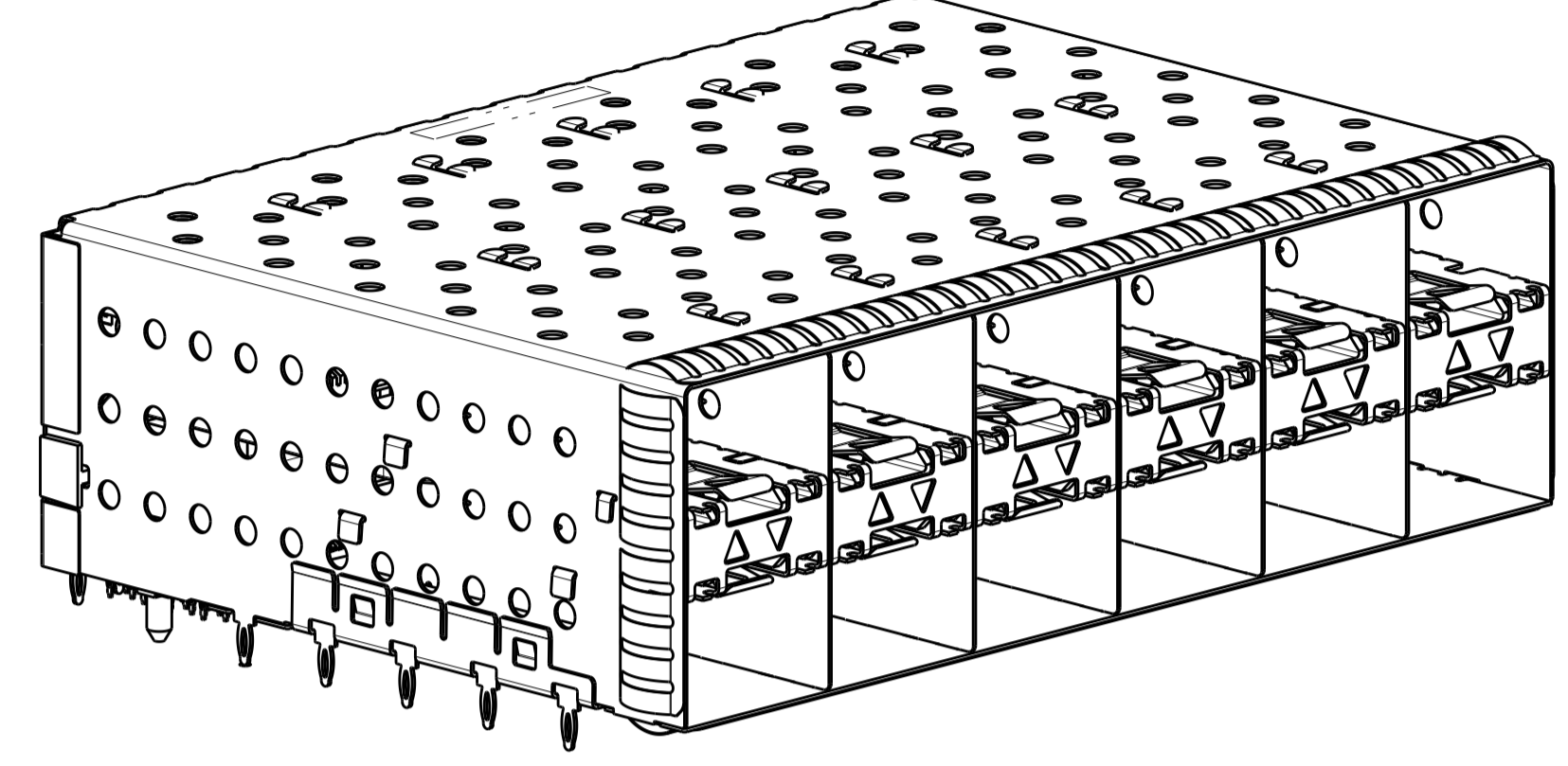
NAME: CAGE AND PT CONNECTOR ASSEMBLY, WITH EMI SPRINGS, PRESS FIT, 2X6, STACKED SFP+
 SIZE: A100779
 SCALE: 4:1
 SHEET: 1 OF 4
 REV: E

STE TE Connectivity

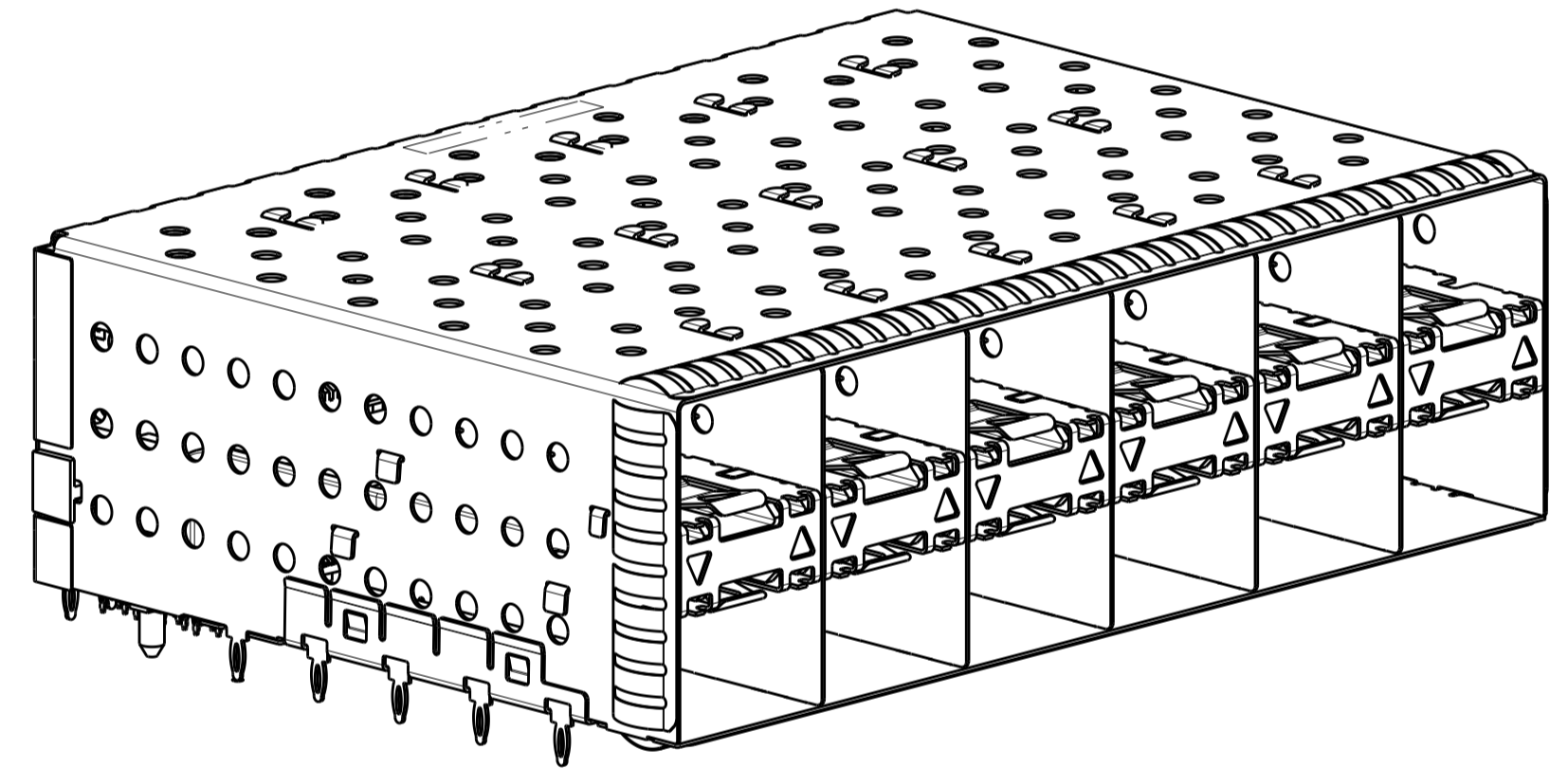
LOC		DIST		REVISIONS			
P	LTN	DESCRIPTION	DATE	DWN	APVD		
-	-	SEE SHEET 1	-	-	-		



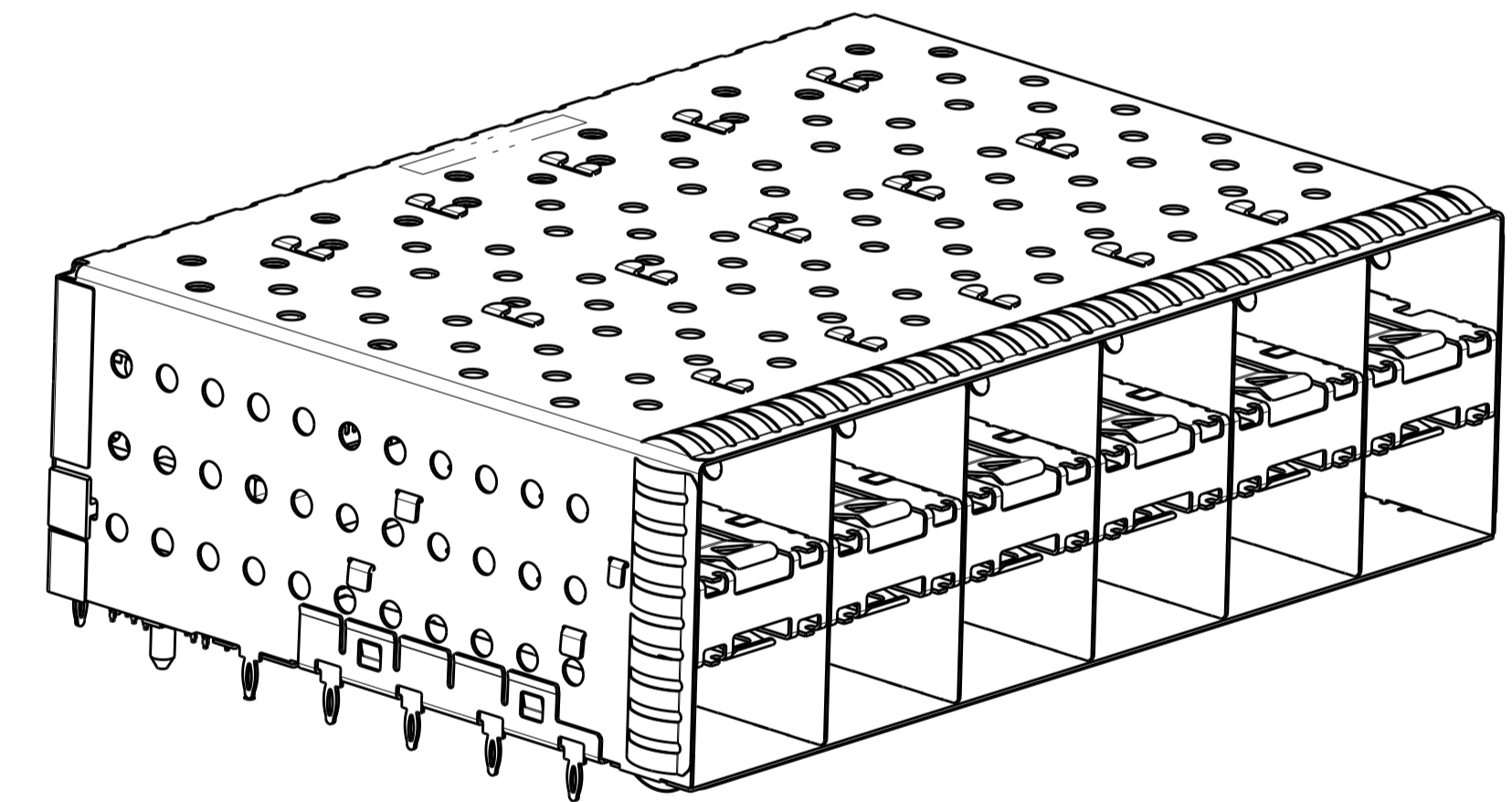
2007562-5 AND 1-2007562-5
 SCALE 2:1



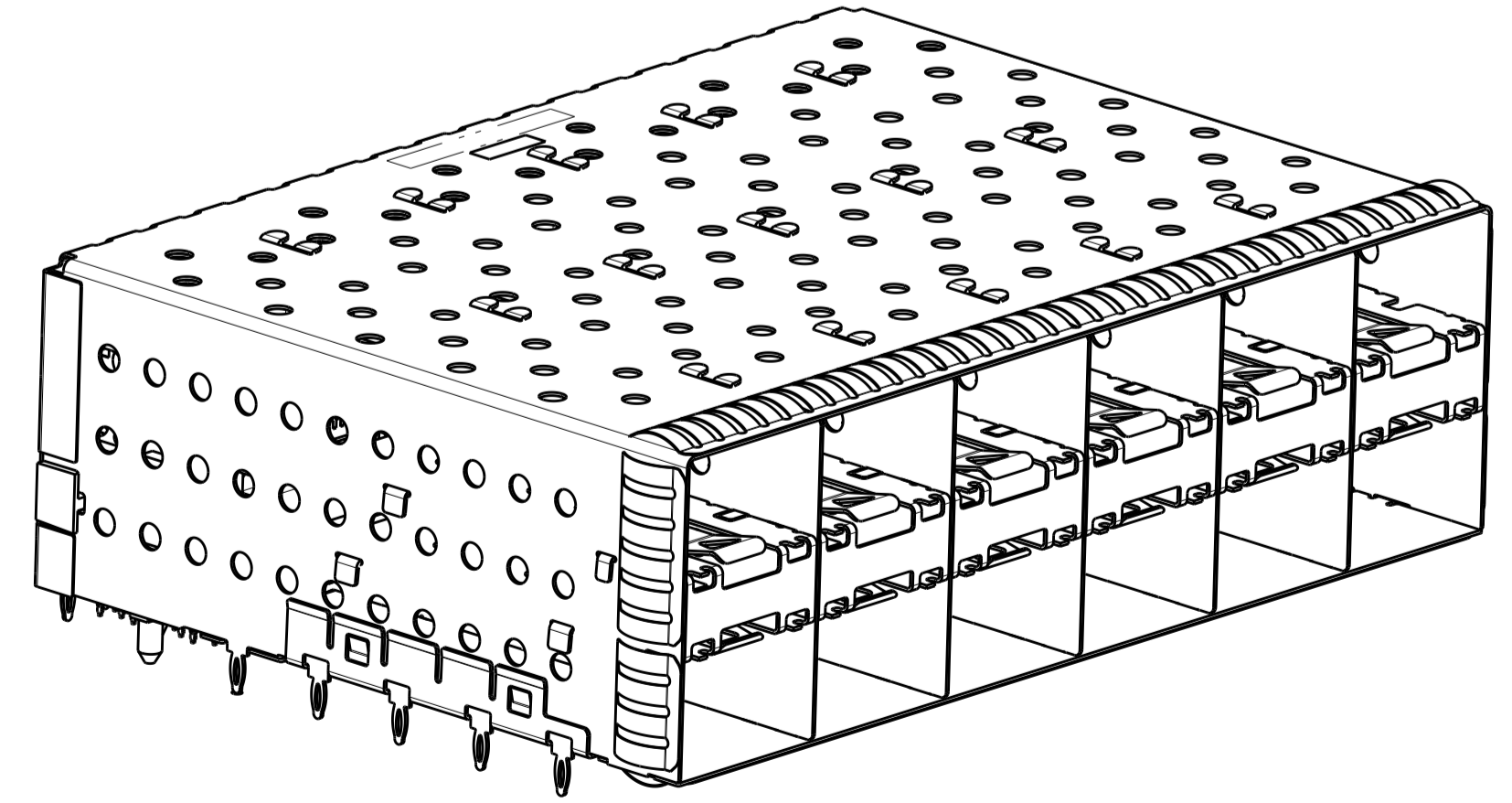
2007562-6 AND 1-2007562-6
 SCALE 2:1



2007562-7 AND 1-2007562-7
 SCALE 2:1



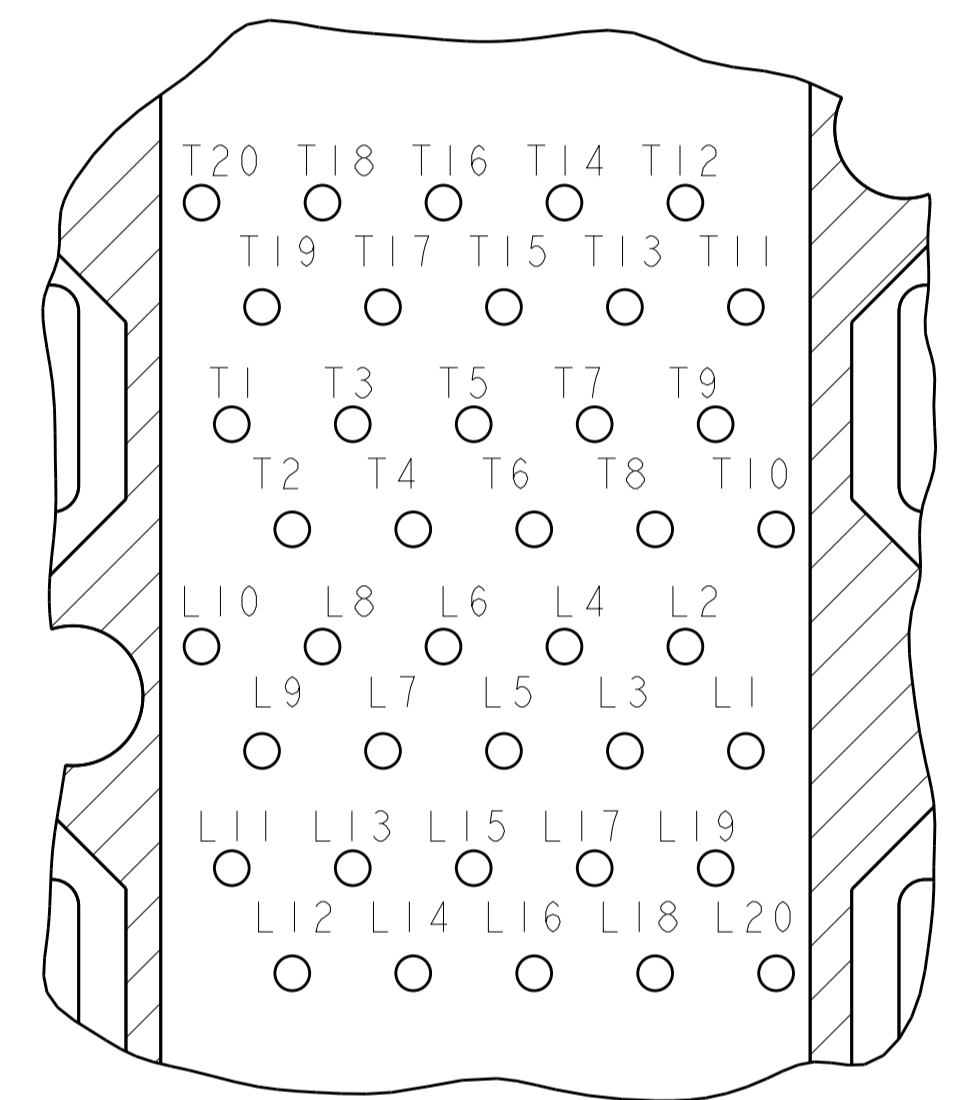
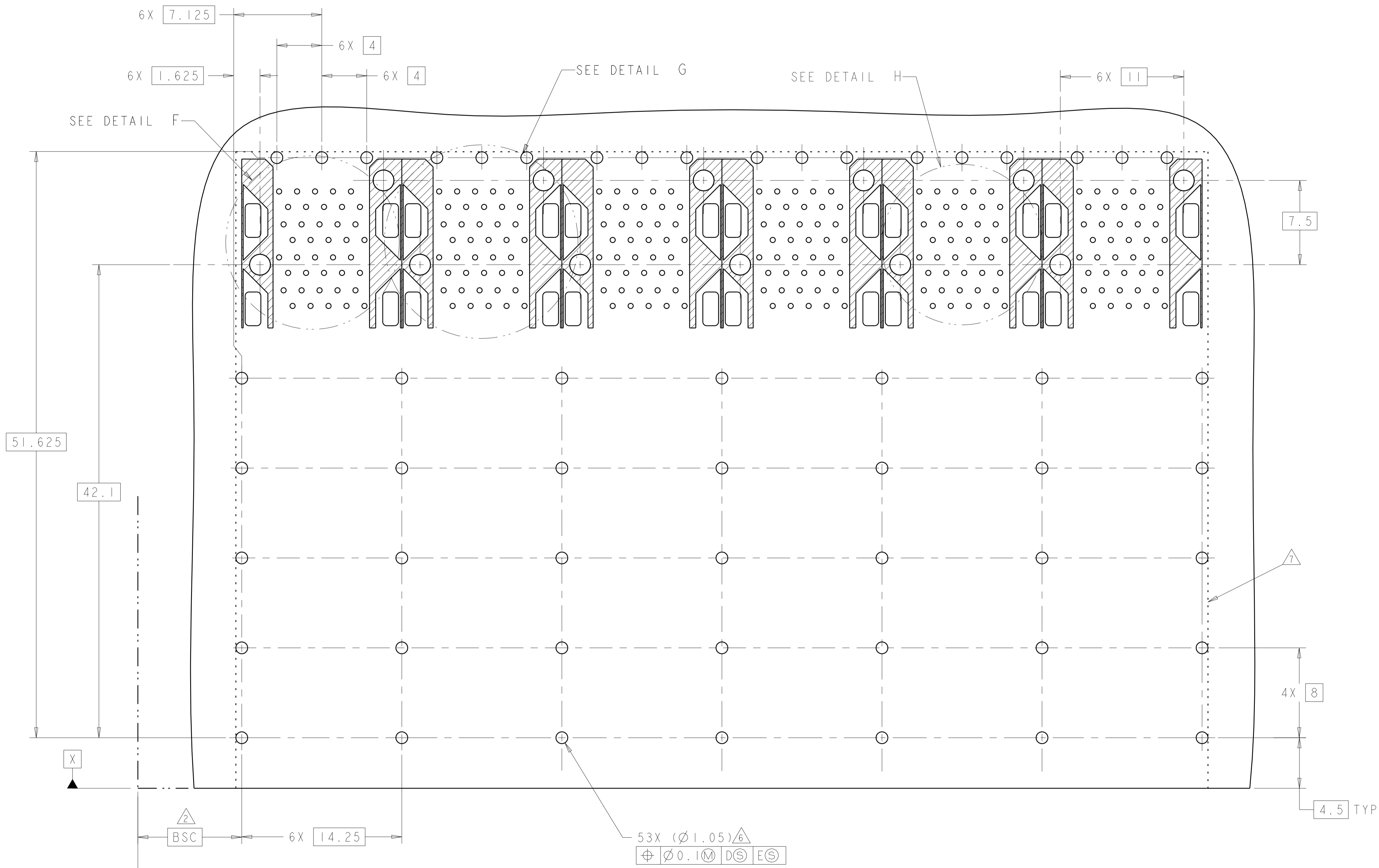
2007562-8 AND 1-2007562-8
 SCALE 2:1



2-2007562-8
 SCALE 2:1

THIS DRAWING IS A CONTROLLED DOCUMENT. DIMENSIONING AND TOLERANCING PER ASME Y14.5M-2009		DWN: M. SHIRK 14JAN2008	TE Connectivity
DIMENSIONS: mm		CHK: D. SZCZESNY 14JAN2008	
TOLERANCES UNLESS OTHERWISE SPECIFIED: 0 PLC ±0.10 1 PLC ±0.10 2 PLC ±0.10 3 PLC ±0.10 4 PLC ±0.10 ANGLES ±°		APVD: D. SZCZESNY 14JAN2008	NAME: CAGE AND PT CONNECTOR ASSEMBLY, WITH EMI SPRINGS, PRESS FIT, 2X6, STACKED SFP+
MATERIAL: FINISH:		PRODUCT SPEC: 108-2331	SIZE: CAGE CODE DRAWING NO: A100779C=2007562
		APPLICATION SPEC: 114-13219	RESTRICTED TO: -
		WEIGHT: -	SCALE: 4:1 SHEET 2 OF 4 REV E
		CUSTOMER DRAWING	

LOC		DIST		REVISIONS			
P.	LTN	DESCRIPTION	DATE	DWN	APVD		
-	-	SEE SHEET 1	-	-	-		



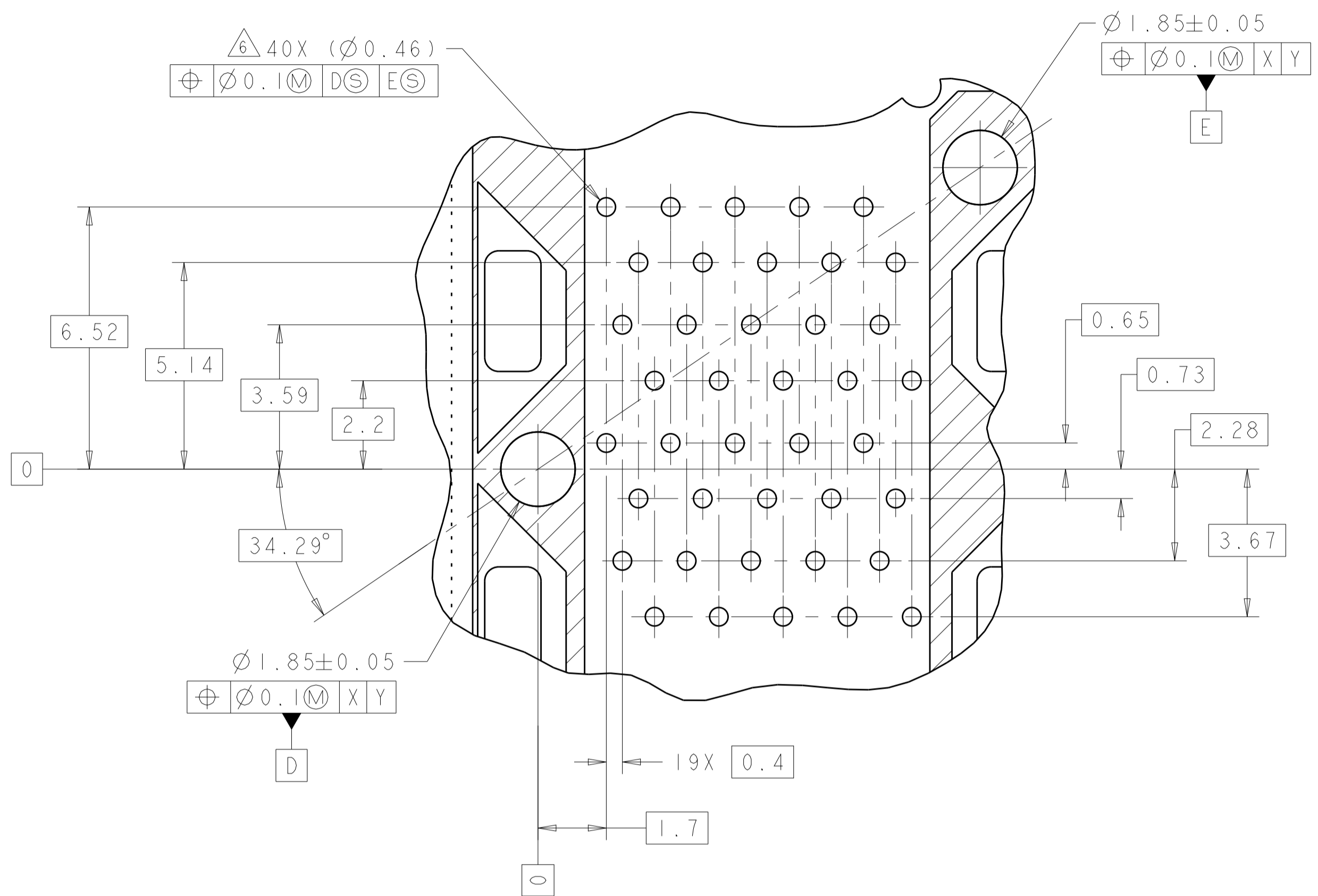
DETAIL H
 CONNECTOR PIN-OUT
 COMPONENT SIDE OF BOARD
 6X INDIVIDUALLY
 SCALE 10:1

RECOMMENDED PCB LAYOUT
 COMPONENT SIDE OF BOARD
 SCALE 5:1

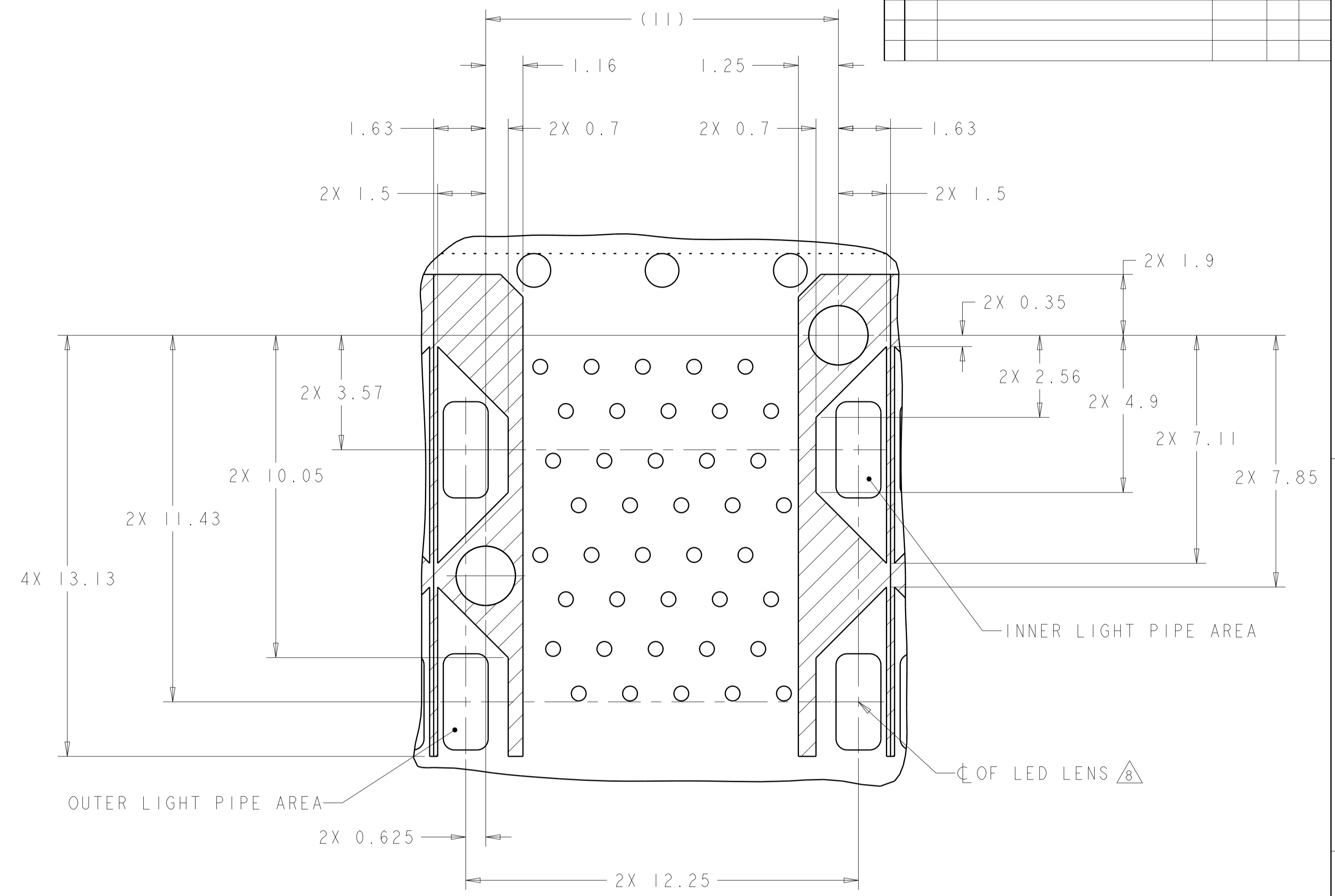
53X (Ø1.05) Δ
 $\oplus \text{Ø}0.1 \text{M} \text{DS ES}$

THIS DRAWING IS A CONTROLLED DOCUMENT. DIMENSIONING AND TOLERANCING PER ASME Y14.5M-2009.		DWN: M. SHIRK 14JAN2008	TE Connectivity
DIMENSIONS: mm		CHK: D. SZCZESNY 14JAN2008	
TOLERANCES UNLESS OTHERWISE SPECIFIED:		APVD: D. SZCZESNY 14JAN2008	NAME: CAGE AND PT CONNECTOR ASSEMBLY, WITH EMI SPRINGS, PRESS FIT, 2X6, STACKED SFP+ PRODUCT SPEC: 108-2331 APPLICATION SPEC: SIZE: 114-13219 WEIGHT: MATERIAL: CUSTOMER DRAWING
0 PLC ±0.10		RESTRICTED TO:	
1 PLC ±0.10		A100779C=2007562	
2 PLC ±0.10		SCALE 4:1 SHEET 3 OF 4 REV E	
3 PLC ±0.10			
4 PLC ±0.10			
ANGLES ±°			
FINISH			

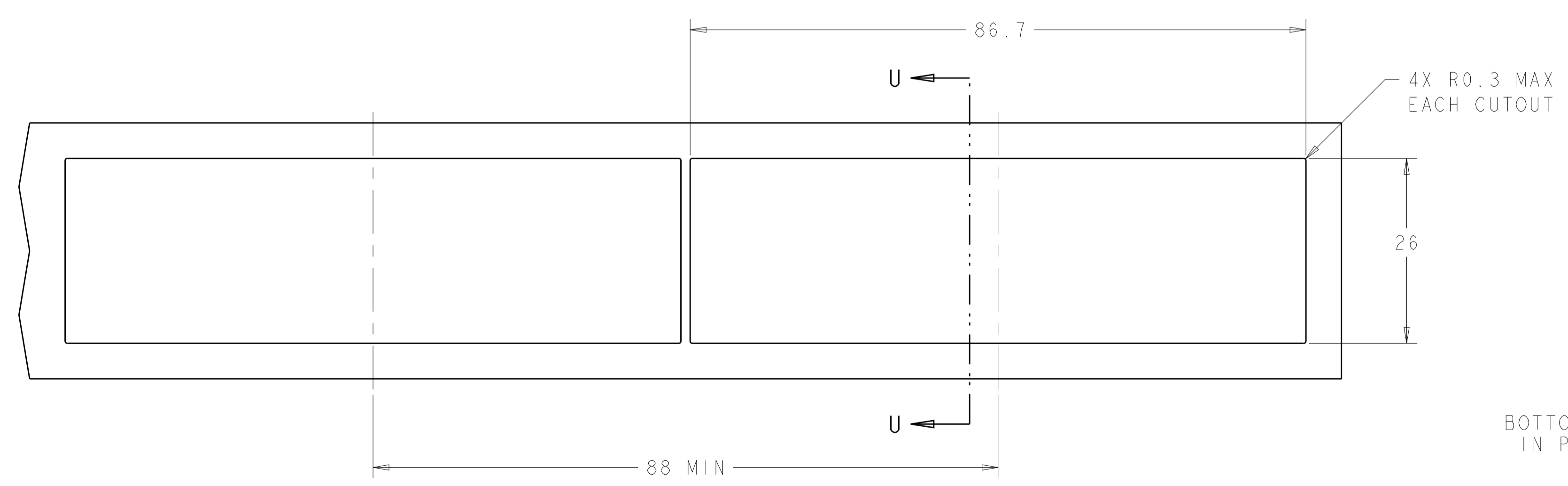
REVISONS		DATE	OWN	APVD
P	LTM			
- SEE SHEET 1		-	-	-



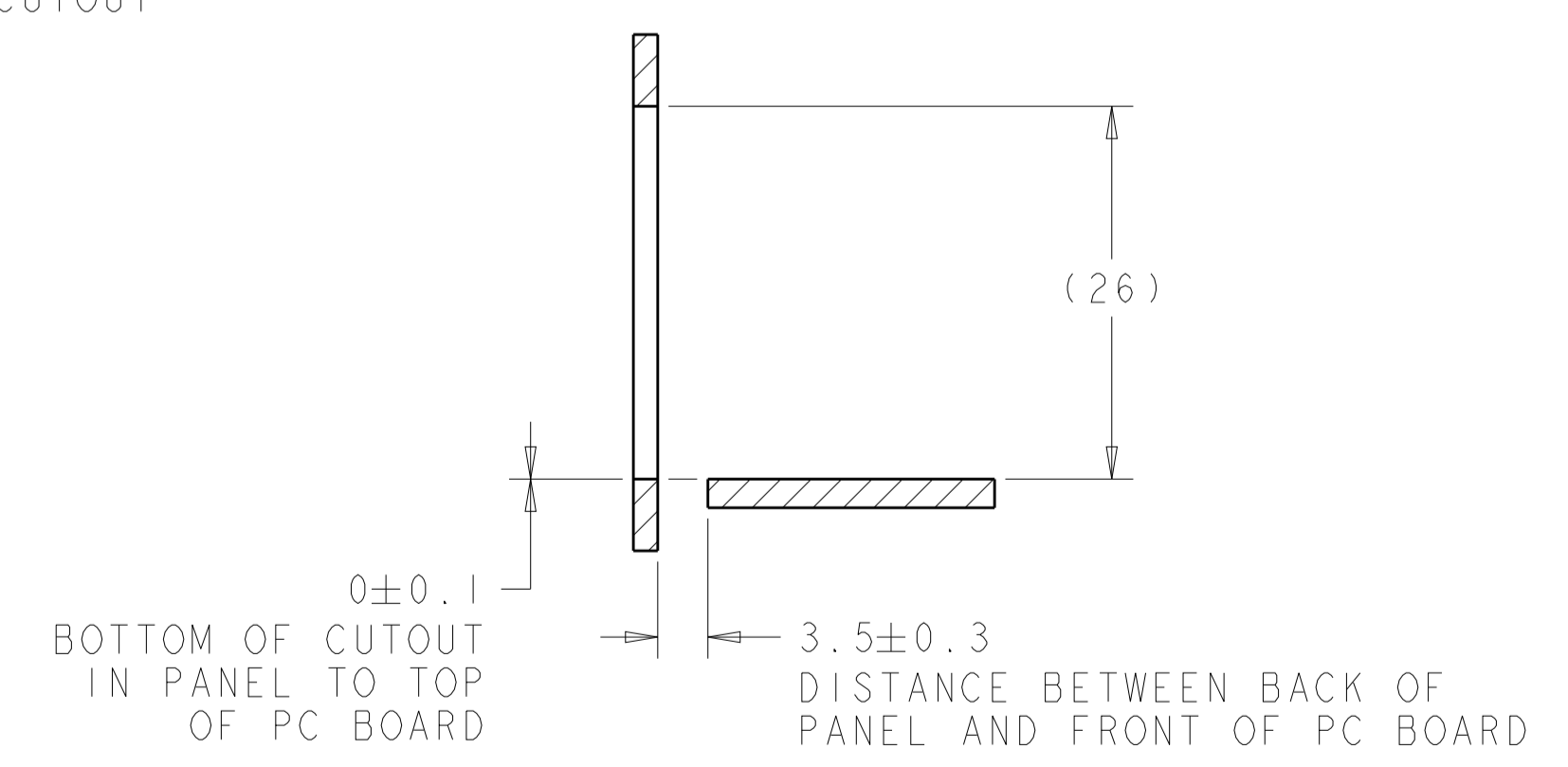
DETAIL F
 6X INDIVIDUALLY
 SCALE 10:1



DETAIL G
 CONNECTOR HOUSING
 KEEPOUT ZONE
 6X INDIVIDUALLY
 SCALE 10:1



RECOMMENDED PANEL CUTOUT
 AND PC BOARD, PANEL POSITION
 SCALE 2:1



SECTION U-U

THIS DRAWING IS A CONTROLLED DOCUMENT. DIMENSIONING AND TOLERANCING PER: ASME Y14.5M-2009		OWN: M. SHIRK 14JAN2008	TE Connectivity
DIMENSIONS: mm		CHK: D. SZCZESNY 14JAN2008	
TOLERANCES UNLESS OTHERWISE SPECIFIED:		APVD: D. SZCZESNY 14JAN2008	NAME: CAGE AND PT CONNECTOR ASSEMBLY, WITH EMI SPRINGS, PRESS FIT, 2X6, STACKED SFP+
0 PLC ±0.10		PRODUCT SPEC: 108-2331	
1 PLC ±0.10		APPLICATION SPEC: 114-13219	SIZE: CAGE CODE DRAWING NO: A100779C=2007562 RESTRICTED TO:
2 PLC ±0.10		WEIGHT: -	
3 PLC ±0.10		CUSTOMER DRAWING	SCALE: 4:1 SHEET 4 OF 4 REV E
4 PLC ±0.10			
ANGLES: ±°			
FINISH: -			