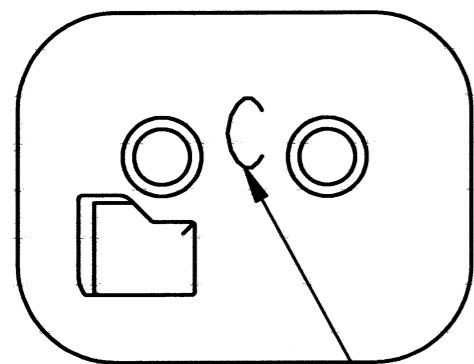
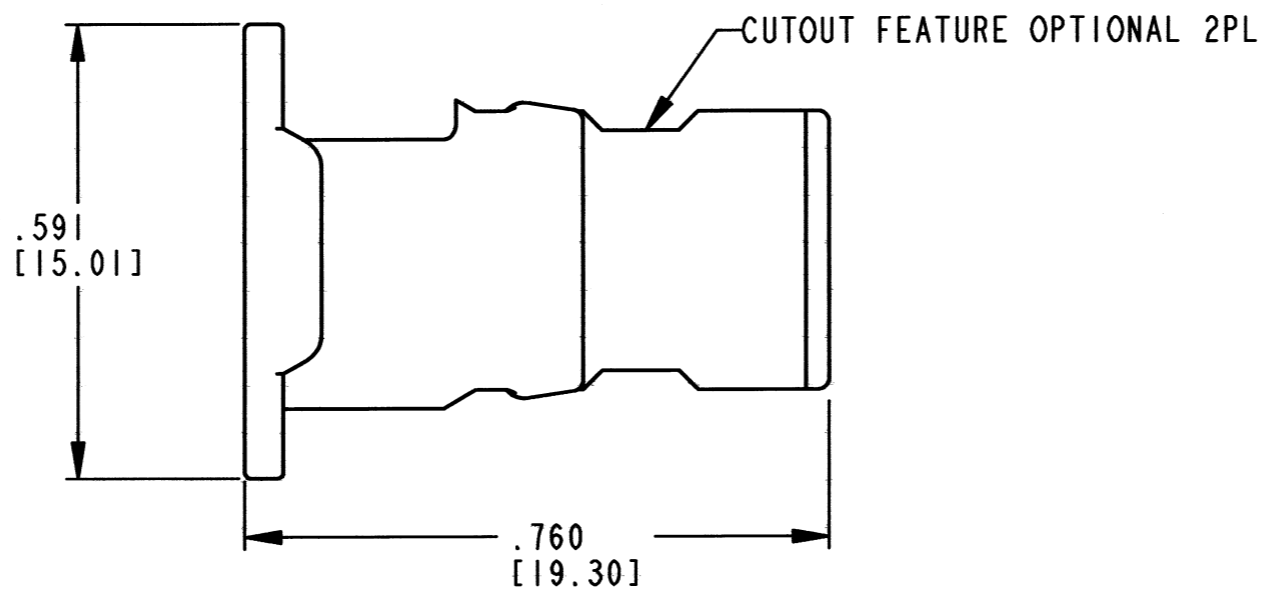
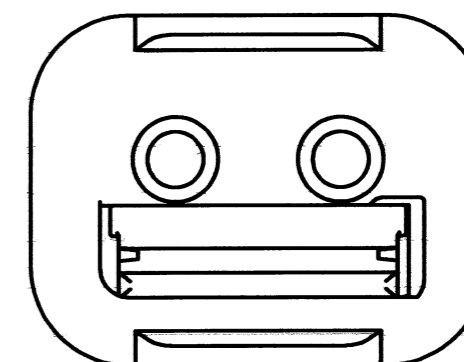
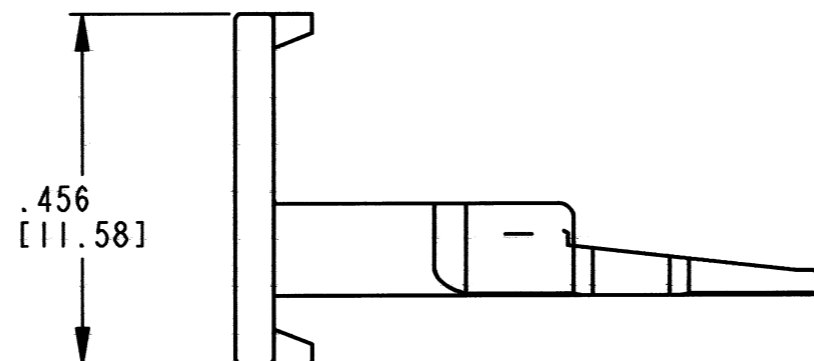


3D VIEW



WEDGE KEY IDENTIFICATION



REV **D** **W2SC-P012**

REVISIONS			
SYM	DESCRIPTION	DATE	APPROVED
A	REVISED PER E.O. P17499	11/5/01	R.D.R.
B	REVISED PER E.O. P19123	12/28/05	R.D.R.
C	REVISED PER E.O. P19514	5/17/07	R.D.R.
D	REVISED PER E.O. P21310	4-26-12	RDR

- NOTES:
1. DIMENSIONS ARE IN INCHES [MILLIMETERS].
 2. DIMENSIONS ARE ±.025[0.63] UNLESS OTHERWISE SPECIFIED.
 3. THIS WEDGE LOCK IS UTILIZED BY DT06-2S-P012. WEDGE DESIGNED TO MATE WITH RECEPTACLE WEDGE W2PC.

SIGNATURE & DATE	
DR	S. THEIS 8/30/99
CHK	<i>[Signature]</i> 4/27/2012
PE	<i>[Signature]</i> 7/1/12
APPD	<i>[Signature]</i> 4/26/12
SCALE	NONE WT

2 WAY PLUG WEDGE
-C- KEY
COLOR: GREEN
DT SERIES

ENVELOPE

EP	MATL. CODE
3850 INDUSTRIAL AVE. HEMET, CA 92545	
B	W2SC-P012
DWG SIZE	CODE 11139 SHEET OF

