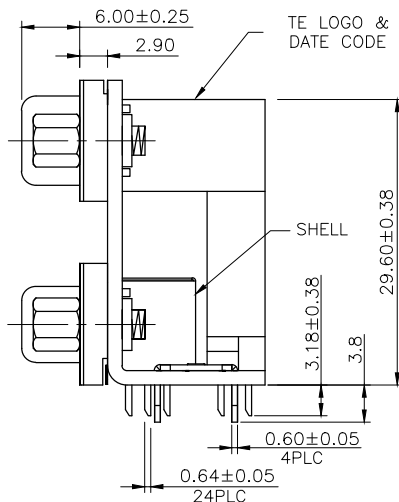
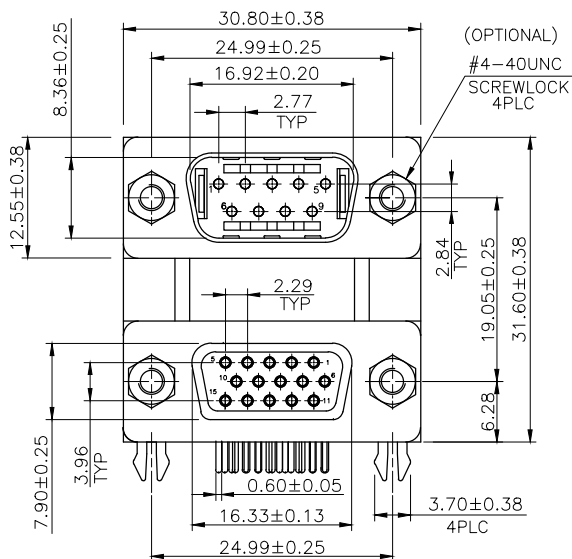


LOC DW

DIST

REVISIONS

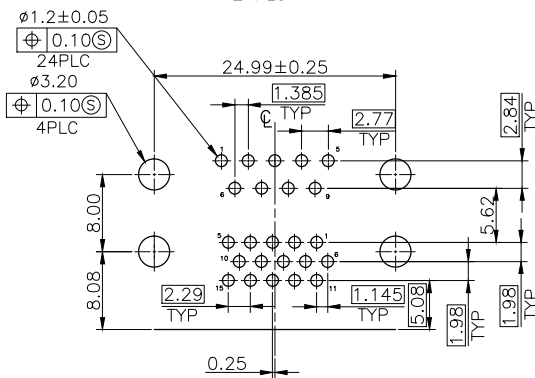
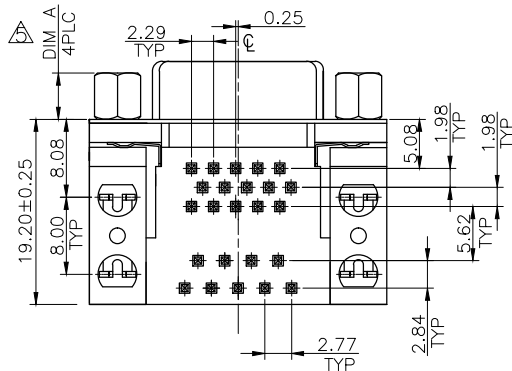
| P  | LTR | DESCRIPTION             | DATE    | DWN | APVD |
|----|-----|-------------------------|---------|-----|------|
| B1 |     | REVISED (ECR-14-005336) | 22JUL14 | SW  | HL   |



NOTES:

- MATERIAL:
  - 1.1 HOUSING: THERMOPLASTIC, HIGH TEMP, UL94V-0  
D-SUB 9M COLOR: TURQUOISE (322C)  
D-SUB 15F COLOR: BLUE (661C)
  - 1.2 CONTACTS: BRASS
  - 1.3 SHELL: STEEL
  - 1.4 BOARDLOCK: BRASS
- FINISH:
  - 2.1 CONTACTS: GOLD FLASH ON CONTACT AREA  
100u" MIN. BRIGHT TIN PLATED ON SOLDER TAILS  
50u" MIN. NICKEL UNDERPLATED ALL OVER
  - 2.2 SHELL: 50u" MIN NICKEL PLATED
  - 2.3 BOARDLOCK: 100u" MIN. BRIGHT TIN PLATED  
50u" MIN. NICKEL UNDERPLATED ALL OVER
- RECOMMENDED PCB THICKNESS: 1.6mm
- WAVE SOLDER CAPABLE TO 265°C PER TE SPEC. 109-202, CONDITION B

△ DIM A IS SCREW HEAD LENGTH

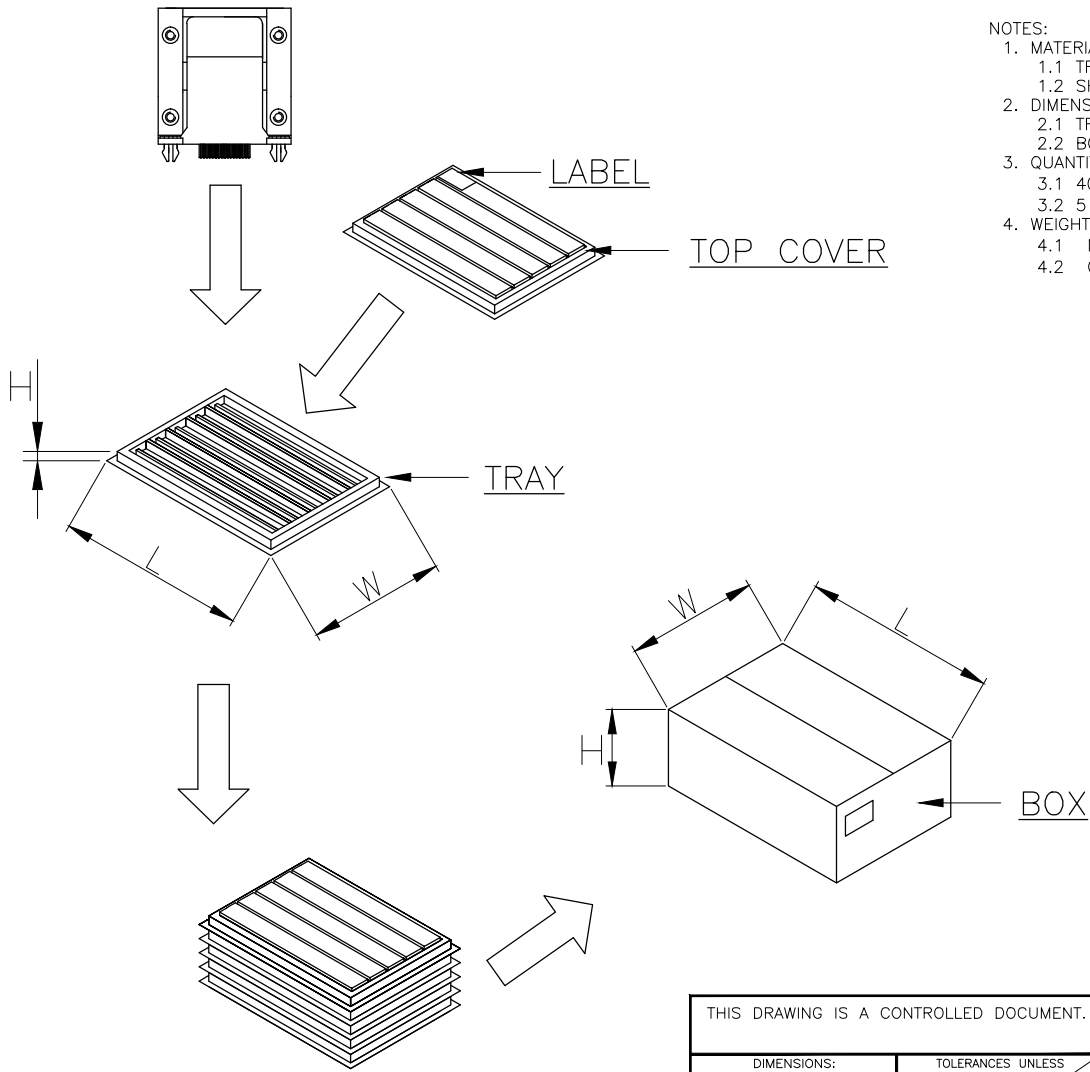


|     |           |       |         |             |
|-----|-----------|-------|---------|-------------|
| EOL | W/O       | W/O   | 6.2     | 1-1775210-4 |
|     | W/O       | W/    | 6.2     | 1-1775210-3 |
|     | W/        | W/O   | 6.2     | 1-1775210-2 |
|     |           | W/    |         | 1-1775210-1 |
| EOL | W/O       | W/O   | 4.8     | 1775210-4   |
|     | W/O       | W/    | 4.8     | 1775210-3   |
| EOL | W/        | W/O   | 4.8     | 1775210-2   |
| EOL | W/        | W/    | 4.8     | 1775210-1   |
|     | SCREWLOCK | SHELL | △ DIM A | PART NUMBER |

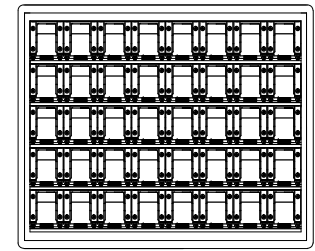
|  |  |  |   |  |
|--|--|--|---|--|
| THIS DRAWING IS A CONTROLLED DOCUMENT.   |  | DWN S. CHIEN 18MAY2009                 | Tyco Electronics Corporation<br>Taipei, Taiwan                |  |
| DIMENSIONS: MM   |  | CHK S. CHIEN 18MAY2009                 | NAME<br>D-SUB 5.08mm, 9 POS<br>PLUG OVER 15 POS RCPT          |  |
| TOLERANCES UNLESS OTHERWISE SPECIFIED:   |  | APVD W. KODAMA 18MAY2009               |   |  |
| 0 PLC ± -<br>1 PLC ± 0.3<br>2 PLC ± 0.2<br>3 PLC ± -<br>4 PLC ± -<br>ANGLES ± 3' |  | PRODUCT SPEC<br>108-57203              | SIZE CAGE CODE DRAWING NO RESTRICTED TO<br>A3 00779 C=1775210 |  |
| MATERIAL SEE NOTE  |  | QUALIFICATION TEST REPORT<br>501-57200 |   |  |
| FINISH SEE NOTE  |  | WEIGHT 26.0 GRAMS                      | SHEET 1 of 2 REV B1   |  |
|  |  | CUSTOMER DRAWING                       | SCALE -   |  |

THIS DRAWING IS UNPUBLISHED. RELEASED FOR PUBLICATION AUG ,2006.  
 © COPYRIGHT BY TYCO ELECTRONICS CORPORATION. ALL RIGHTS RESERVED.

|     |      |           |     |              |      |     |      |
|-----|------|-----------|-----|--------------|------|-----|------|
| LOC | DIST | REVISIONS |     |              |      |     |      |
| DW  |      | P         | LTR | DESCRIPTION  | DATE | DWN | APVD |
|     |      |           |     | SEE SHEET 1. |      |     |      |



- NOTES:
- MATERIAL:
    - 1.1 TRAY: PVC
    - 1.2 SHIPPING CARTON: CORRUGATED FIBERBOARD
  - DIMENSION:
    - 2.1 TRAY: L=285, W=270, H=30
    - 2.2 BOX: L=298, W=283, H=170
  - QUANTITY:
    - 3.1 40 PCS/TRAY
    - 3.2 5 TRAYS/CARTON (200 PCS)
  - WEIGHT:
    - 4.1 NET WEIGHT: 5KG/CARTON
    - 4.2 GROSS WEIGHT: 6KG/CARTON



|   |  |                  |  |                           |
|---|--|------------------|--|---------------------------|
| THIS DRAWING IS A CONTROLLED DOCUMENT.  |  | DWN              | Tyco Electronics Corporation<br>Taipei, Taiwan       |                           |
| DIMENSIONS:<br>MM   |  | CHK              | NAME<br>D-SUB 5.08mm, 9 POS<br>PLUG OVER 15 POS RCPT |                           |
| TOLERANCES UNLESS OTHERWISE SPECIFIED:<br>0 PLC ± -<br>1 PLC ± -<br>2 PLC ± -<br>3 PLC ± -<br>4 PLC ± -<br>ANGLES ± - |  | APVD             | PRODUCT SPEC   | RESTRICTED TO             |
| MATERIAL  |  | APVD             | APPLICATION SPEC                                     | SIZE CAGE CODE DRAWING NO |
| FINISH  |  | WEIGHT           | WEIGHT   | A3 00779 C=1775210        |
|   |  | CUSTOMER DRAWING |  | SCALE SHEET 2 OF 2 REV B1 |