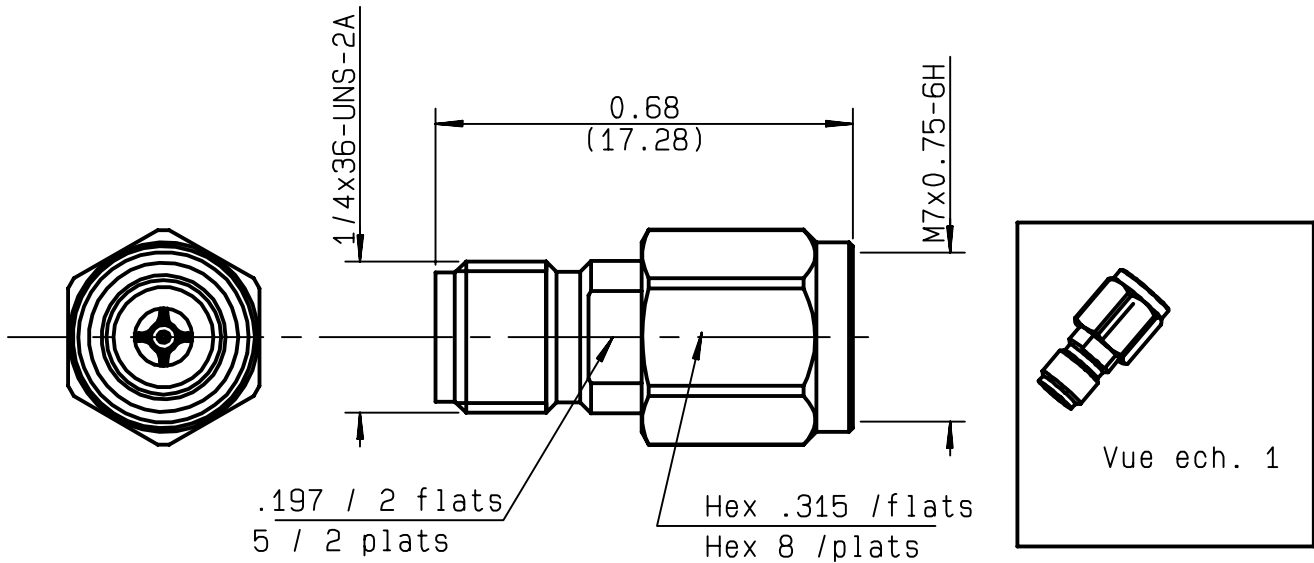


**SMA 2.9 FEMALE - SMA 2.4 MALE
STRAIGHT ADAPTER**

R191.970.081
SERIES ADAPT



NOMINAL IMPEDANCE	50 Ω	CABLES :		
FREQUENCY RANGE	0-46 GHz			
TEMPERATURE RATING	-65/+165 °C			
V.S.W.R	1.05 + .005 x F(GHz)Maxi			
RF INSERTION LOSS	0.05 √F(GHz) dB Maxi			
VOLTAGE RATING	500 Veff Maxi			
DIELECTRIC WITHSTANDING VOLTAGE	1000 Veff Mini			
INSULATION RESISTANCE	5000 MΩMini		OTHERS CHARACTERISTICS	
HERMETIC SEAL	NA Atm.cm ³ /s		CABLE RETENTION	N Mini
LEAKAGE (pressurized only)	NA		CENTER CONTACT RETENTION	
MECHANICAL DURABILITY	500 Cycles	Axial force - mating end	27 N Mini	
WEIGHT	3.3 gr	Axial force - opposite end	27 N Mini	
SPECIFICATION		Torque	NA cm.N Mini	
		RECOMMENDED TORQUES		
		Mating	100 cm.N	
		Panel nut	NA cm.N	
		Clamp nut	NA cm.N	

CONNECTOR PARTS	MATERIALS	FINISH	(all values are given in micrometers)
BODY	STAINLESS STEEL	PASSIVATED	
OUTER CONTACT	BRASS	GOLD 0.2 OVER NICKEL 2	
CENTER CONTACT	BERYLLIUM COPPER	GOLD 1.3 OVER NICKEL 2	
INSULATOR	POLYIMIDE KAPTON 500H	-	
GASKET		-	
OTHERS PIECES	BERYLLIUM COPPER	NICKEL 2	

ISSUE	CREATION DATE	FILE PART-NUMBER
0204A01	12/05/1989	



MARTIN

The information given here is subject to change without notice. Design changes may be in order to improve the product.

Connect to the future