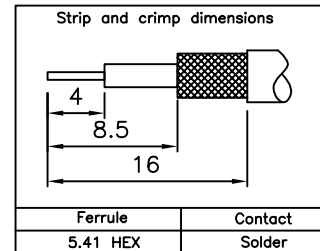
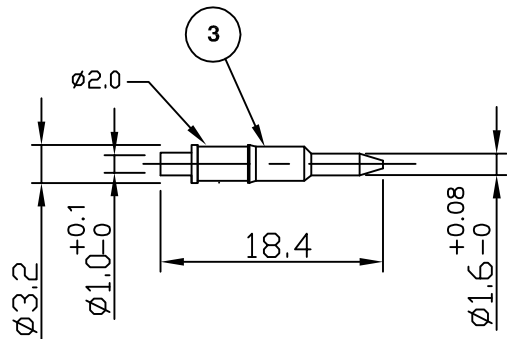
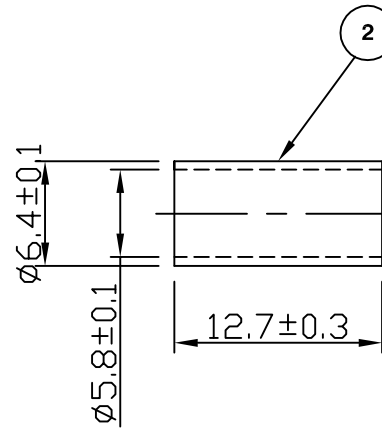
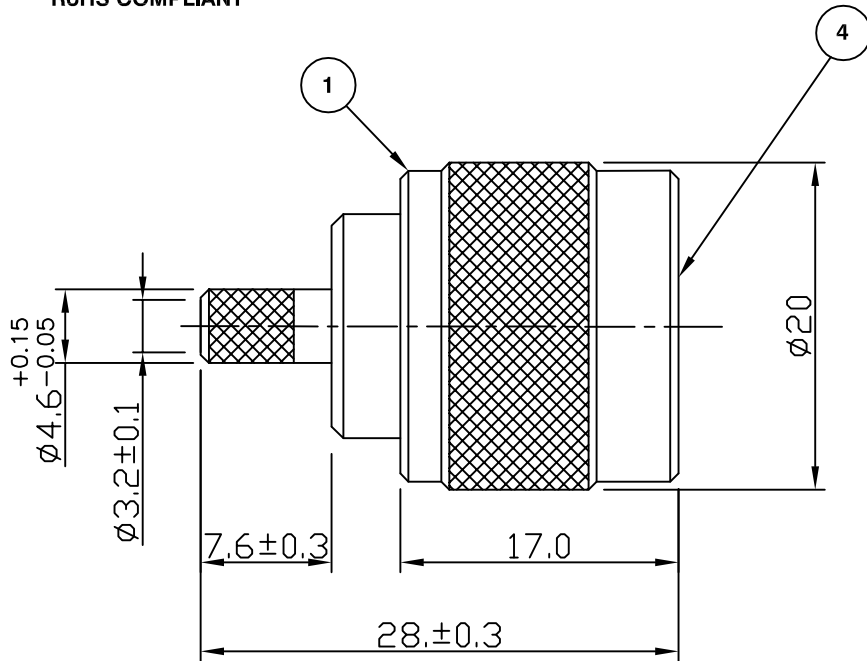


RoHS COMPLIANT



**Electrical Characteristics**

Nominal Impedance:	50 ohms
Frequency Range:	DC to 11 GHz
VSWR:	1.3:1 maximum
Insertion Loss:	0.3 dB at 10 GHz
Operating Voltage (rms):	1000 V maximum at sea level
Dielectric Withstand Voltage (rms):	2500 V maximum at sea level
Contact Resistance:	1.0 milliohms maximum
Insulation Resistance:	5000 megohms minimum

**Mechanical Characteristics**

Mating Cycles:	500 cycles minimum
Interface Dimensions:	Conform to MIL-C-39012

**Environmental Characteristics**

Temperature Range:	-65 °C to +165 °C
--------------------	-------------------

PART	DESCRIPTION
1	Body Brass, nickel plated 2.54 μm
2	Ferrule Brass, nickel plated 2.54 μm
3	Contact Brass, gold plated 0.076 μm - 0.127 μm
4	Dielectric PTFE
5	Gasket Rubber

DESCRIPTION OF REVISION	APPVD	ISS	DATE
Strip & Crimp Details added	MS	3	11 Sep 09
CAD Issue	SN	2	29 Jan 02
First Issue	AT	1	02 Feb 95

For stripping and assembly instructions see Drawing Number: VAIN1101



Cinch Connectivity Solutions  
7 - 13 Russell Way,  
Widford Industrial Estate,  
Chelmsford, Essex,  
CM1 3AA, UK  
Tel: +44 (0)1245 359515  
Fax: +44 (0)1245 358938

SCALE: Not To Scale

DIMENSIONS: mm

TOLERANCES:  
± 0.2mm unless  
otherwise stated

DRAWN BY:	S Nash
CHECKED BY:	S Nash
APPROVED BY:	M Nielsen
DATE:	29 Jan 02

TITLE:  
N Crimp Plug for RG142,  
RG223, RG400

PART NUMBER:  
**VN10-2050**

PAGE: 1 of 1