

## 6-Bit SERIAL/PARALLEL SWITCH DRIVER/CONTROLLER

### Typical Applications

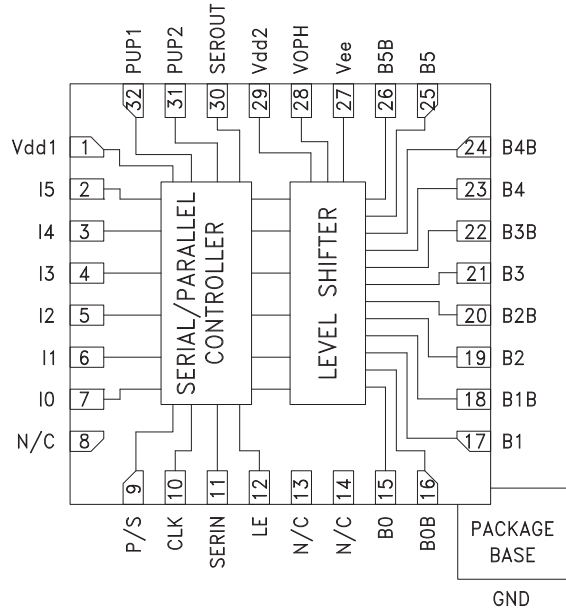
The HMC677LP5(E) is ideal for:

- Microwave and Millimeterwave Control Circuits
- Test and Measurement Equipment
- Complex Multi-Function Assemblies
- Military and Space Subsystems
- Transmit/Receive Module Controllers

### Features

- Accepts Serial or Parallel Data
- Compatible with TTL and CMOS Logic
- Complementary Outputs
- 6-Bit Control Word
- Power-up State Selection
- Low Power Consumption
- Fast Clock Rate

### Functional Diagram



### General Description

The HMC677LP5(E) is a multi-function BiCMOS control interface IC which is ideal for driving the gates of FET and pHEMT based MMIC control devices. This unique IC can be used to simplify the control of microwave and millimeterwave transmit/receive modules, military subsystems, and multithrow/multiport test and measurement equipment. The HMC677LP5(E) accepts serial or parallel data, and can drive up to 6 complementary sets of outputs.

The HMC677LP5(E) also provides additional functionality such as a power-up state selection, adjustable output voltage levels, and a latched parallel control mode which allows multiple control devices to share a common data bus. The HMC677LP5(E) is ideal for controlling digital phase shifters, digital attenuators, digital variable gain amplifiers, and switching matrices embedded in complex microwave and millimeterwave assemblies.

### Electrical Specifications, $T_A = +25^\circ C$ , $V_{dd1} = V_{dd2} = +5V$ , $V_{ee} = -5V$ , $V_{oph} = 0V$

| Parameter  | Min             | Typ | Max            | Units   |
|--|-----------------|-----|----------------|---------|
| Input High Voltage, $V_{ih}$   | 2               | -   | -              | V       |
| Low Voltage, $V_{il}$  | -               | -   | 0.8            | V       |
| Output High Voltage, $V_{oh}$ ( $I_{oh} = 1 \text{ mA}$ , $V_{ee} = -4.5V$ ) | $V_{oph} - 0.1$ | -   | -              | V       |
| Output Low Voltage, $V_{ol}$ ( $I_{ol} = 2 \text{ mA}$ , $V_{ee} = -4.5V$ )  | -               | -   | $V_{ee} + 0.1$ | V       |
| Maximum Input Leakage Current, $I_{in}$                                      | -               | -   | 1              | $\mu A$ |
| Propagation Delay, $t_{plh}$   | -               | -   | 80             | nS      |
| Maximum Serial Bit Rate  | -               | -   | 10             | Mbps    |
| Maximum I/O Update Rate  | -               | -   | 100            | ns      |

**6-Bit SERIAL/PARALLEL SWITCH  
DRIVER/CONTROLLER**

**Operating Ranges**

| Function            | Parameter                         | Min. | Typ. | Max  | Units |
|---------------------|-----------------------------------|------|------|------|-------|
| Vdd                 | Positive DC Supply Voltage        | 4.5  | 5.0  | 5.5  | V     |
| Vee                 | Negative DC Supply Voltage        | -5.5 | -5.0 | -4.5 | V     |
| Voph <sup>[1]</sup> | DC Output Supply                  | 0    | -    | 2.2  | V     |
| Voph - Vee          | Negative Supply Voltage Range     | 4.5  | -    | 7.7  | V     |
| Vdd - Vee           | Positive to Negative Supply Range | 9    | 10   | 11   | V     |
| Ta                  | Operating Ambient Temperature     | -40  | 25   | 85   | C     |
| Ioh <sup>[2]</sup>  | DC Output Current - High          | 1    | -    | -    | mA    |
| Iol <sup>[2]</sup>  | DC Output Current - Low           | 2    | -    | -    | mA    |

[1] Voph can be used from 0V to 2.2V. Higher voltages can be used to increase low frequency performance of GaAs switches.

[2] Ioh and Iol are measured at 0.1V variation from Voph and Vee.

**DC Characteristics**

| Function | Parameter                                   | Conditions         |                  | Min.       | Typ. | Max       | Units |
|----------|---|--------------------|------------------|------------|------|-----------|-------|
| Vih      | Input High Voltage                          | High Input Voltage |                  | 2.0        | -    | -         | V     |
| Vil      | Input Low Voltage                           | Low Input Voltage  |                  | -          | -    | 0.8       | V     |
| Voh      | Output High Voltage                         | Ioh = 1 mA         | Vee = -4.5V      | Voph - 0.1 | -    | -         | V     |
| Vol      | Output Low Voltage                          | Iol = 2 mA         | Vee = -4.5V      | -          | -    | Vee + 0.1 | V     |
| Iin      | Input Leakage Current                       | Vin = Vdd or GND   | Vdd = Max        | -          | -    | 1         | μA    |
| Idd      | Quiescent Supply Current                    | Vdd = Max          | Vin = Vdd or GND | -          | -    | 1.5       | mA    |
| ^ Idd    | Additional Supply Current Per TTL Input Pin | Vdd = Max          | Vin = 2V         | -          | -    | 50        | μA    |

**Worst Case AC Characteristics at Voph = 2.2V (Vdd = 4.5V, Vee = -4.5V)**

| Function            | Parameter                            | -40 °C | +25 °C | +85 °C | Units |
|---------------------|--------------------------------------|--------|--------|--------|-------|
| Tplh                | Rising Propagation Delay             | 30     | 30     | 30     | ns    |
| Tphl                | Falling Propagation Delay            | 30     | 30     | 30     | ns    |
| Ttth                | Output Rising Transition Time        | 30     | 40     | 40     | ns    |
| Tthl                | Output Falling Transition Time       | 15     | 20     | 20     | ns    |
| Tskew               | Delay Skew                           | 50     | 50     | 50     | nS    |
| Cpdd <sup>[1]</sup> | Power Dissipation Capacitance of Vdd | 100    | 100    | 100    | pF    |
| Cpde <sup>[1]</sup> | Power Dissipation Capacitance of Vee | 400    | 400    | 400    | pF    |

**Worst Case AC Characteristics at Voph = 0V (Vdd = 4.5V, Vee = -4.5V)**

| Function            | Parameter                            | -40 °C | +25 °C | +85 °C | Units |
|---------------------|--------------------------------------|--------|--------|--------|-------|
| Tplh                | Rising Propagation Delay             | 80     | 80     | 80     | ns    |
| Tphl                | Falling Propagation Delay            | 80     | 80     | 80     | ns    |
| Ttth                | Output Rising Transition Time        | 100    | 100    | 100    | ns    |
| Tthl                | Output Falling Transition Time       | 50     | 50     | 50     | ns    |
| Tskew               | Delay Skew                           | 50     | 50     | 50     | nS    |
| Cpdd <sup>[1]</sup> | Power Dissipation Capacitance of Vdd | 100    | 100    | 100    | pF    |
| Cpde <sup>[1]</sup> | Power Dissipation Capacitance of Vee | 400    | 400    | 400    | pF    |

<sup>1</sup> Total Power Dissipation is calculated by the following formula: PD = Vdd<sup>2</sup> f Cpdd + (Voph - Vee)<sup>2</sup> f Cpde, where f = frequency in Hz

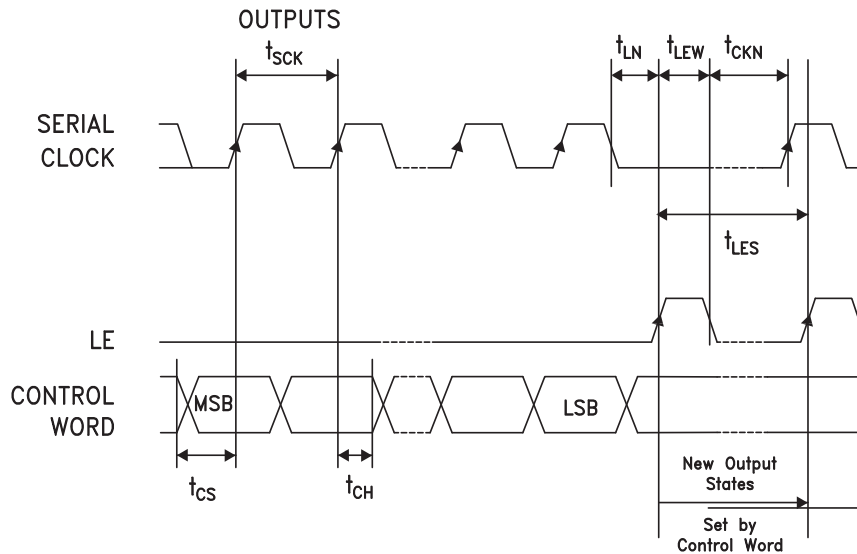
## 6-Bit SERIAL/PARALLEL SWITCH DRIVER/CONTROLLER

### Serial Control Interface

The HMC677LP5(E) contains a 3-wire SPI compatible digital interface (DATA, CLK, LE). It is activated when P/S is kept high. The 6-bit serial word must be loaded MSB first. The positive-edge sensitive CLK and LE requires clean transitions. Standard logic families work well. When LE is high, 6-bit data in the serial input register is transferred to the outputs. When LE is high CLK is masked to prevent data transition during output loading.

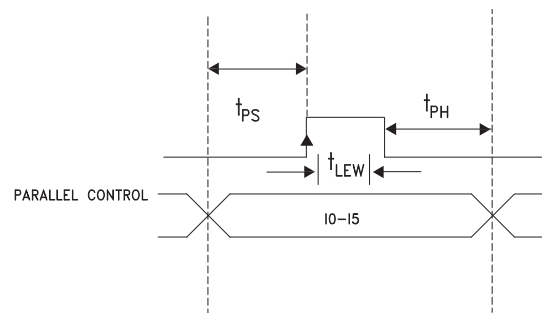
When P/S is low, 3-wire SPI interface inputs (DATA, CLK, LE) are disabled and the serial input register is loaded asynchronously with parallel digital inputs (I0-I5). When LE is high, 6-bit parallel data is transferred.

For all modes of operations, the outputs will stay constant while LE is kept low.



| Parameter                                 | Typ.   |
|---|--------|
| Min. serial period, $t_{SCK}$             | 100 ns |
| Control set-up time, $t_{CS}$             | 20 ns  |
| Control hold-time, $t_{CH}$               | 20 ns  |
| LE setup-time, $t_{LN}$                   | 10 ns  |
| Min. LE pulse width, $t_{LEW}$            | 10 ns  |
| Min LE pulse spacing, $t_{LES}$           | 630 ns |
| Serial clock hold-time from LE, $t_{CKN}$ | 10 ns  |
| Hold Time, $t_{PH}$                       | 0 ns   |
| Latch Enable Minimum Width, $t_{LEN}$     | 10 ns  |
| Setup Time, $t_{PS}$                      | 2 ns   |

Timing Diagram (Latched Parallel Mode)



### Parallel Mode (Direct Parallel Mode & Latched Parallel Mode)

**Note:** The parallel mode is enabled when P/S is set to low.

**Direct Parallel Mode** - Outputs are changed by the Control Voltage Inputs directly. The LE (Latch Enable) must be at a logic high to control in this manner.

**Latched Parallel Mode** - Outputs are selected using the Control Voltage Inputs and set while the LE is in the Low state. This will not change state while LE is Low. Once all Control Voltage Inputs are at the desired states the LE is pulsed. See timing diagram above for reference.

## 6-Bit SERIAL/PARALLEL SWITCH DRIVER/CONTROLLER

### Power-Up States

If LE is set to logic LOW at power-up, the logic state of PUP1 and PUP2 determines the power-up state of the part per PUP truth table. If the LE is set to logic HIGH at power-up, the logic state of I5-I0 determines the power-up state of the part per truth table. The attenuator latches in the desired power-up state approximately 200 ms after power-up.

### Control Voltage Table

| State | Vdd = +3V              | Vdd = +5V              |
|-------|------------------------|------------------------|
| Low   | 0 to 0.5V @ <1 $\mu$ A | 0 to 0.8V @ <1 $\mu$ A |
| High  | 2 to 3V @ <1 $\mu$ A   | 2 to 5V @ <1 $\mu$ A   |

### Power-On Sequence

The ideal power-up sequence is: GND, Vdd, Vee, Voph, digital inputs. The relative order of the digital inputs are not important as long as they are powered after Vdd / Vee / Voph / GND.

### Truth Table

| Input | Outputs |      |
|-------|---------|------|
|       | Bx      | BxB  |
| Low   | Vee     | Voph |
| High  | Voph    | Vee  |

### PUP Truth Table

| LE | PUP2 | PUP1 | Output States        |    |    |    |    |    |
|----|------|------|----------------------|----|----|----|----|----|
|    |      |      | B5                   | B4 | B3 | B2 | B1 | B0 |
| 0  | 0    | 0    | 0                    | 0  | 0  | 0  | 0  | 0  |
| 0  | 0    | 1    | 0                    | 1  | 0  | 0  | 0  | 0  |
| 0  | 1    | 0    | 1                    | 0  | 0  | 0  | 0  | 0  |
| 0  | 1    | 1    | 1                    | 1  | 1  | 1  | 1  | 1  |
| 1  | X    | X    | Set by the inputs Ix |    |    |    |    |    |

For the Inputs (LE, PUP1, PUP2), Logic "0" = 0V and Logic "1" = Vdd

For the outputs, Logic "0" is Bx = Vee, BxB = Voph, and Logic "1" is Bx = Voph, BxB = Vee

**6-Bit SERIAL/PARALLEL SWITCH  
DRIVER/CONTROLLER**

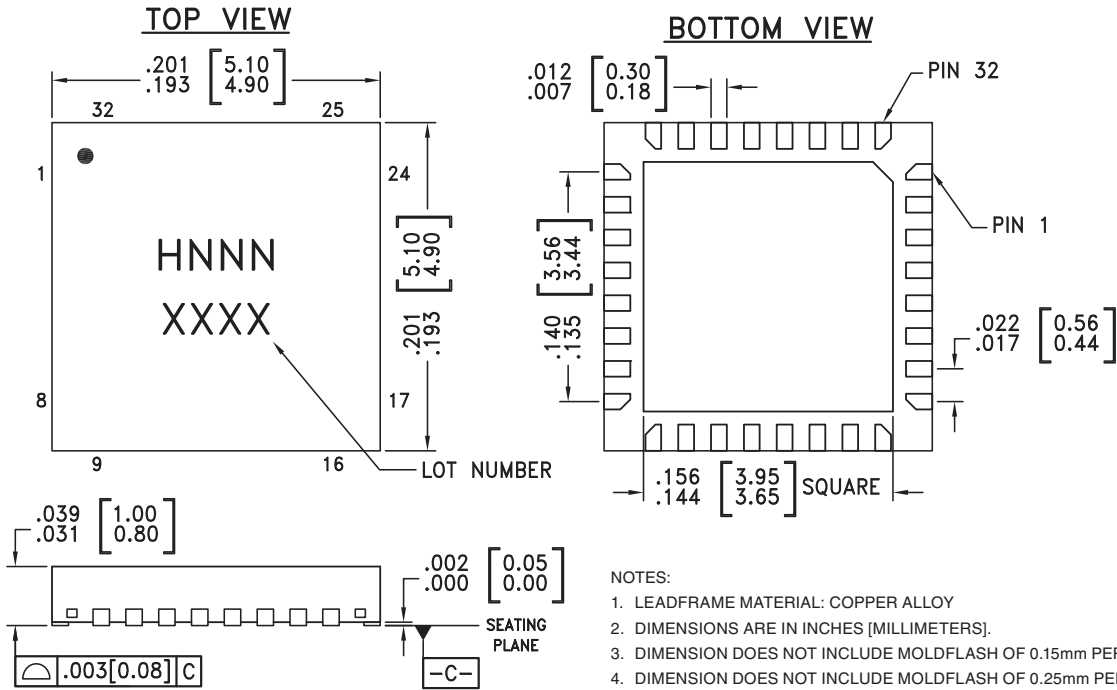
**Absolute Maximum Ratings**

|   |                   |
|---|-------------------|
| Digital Inputs<br>(I0-I5, Shift Clock, Latch Enable,<br>P/S, PUP and Data Inputs) | -0.5 to Vdd +0.5V |
| Bias Voltage (Vdd)  | 5.6 V             |
| Bias Voltage (Vee)  | -5.6 V            |
| Bias Voltage (Voph)   | 2.3 V             |
| Channel Temperature   | 125 °C            |
| Continuous Pdiss (T = 85 °C)<br>(derate 8.2 mW/°C above 85 °C) [1]                | 325 mW            |
| Thermal Resistance<br>(Channel to ground paddle)                                  | 123 °C/W          |
| Storage Temperature   | -65 to +150 °C    |
| Operating Temperature   | -40 to +85 °C     |



**ELECTROSTATIC SENSITIVE DEVICE  
OBSERVE HANDLING PRECAUTIONS**

**Outline Drawing**



- NOTES:
1. LEADFRAME MATERIAL: COPPER ALLOY
  2. DIMENSIONS ARE IN INCHES [MILLIMETERS].
  3. DIMENSION DOES NOT INCLUDE MOLDFLASH OF 0.15mm PER SIDE.
  4. DIMENSION DOES NOT INCLUDE MOLDFLASH OF 0.25mm PER SIDE.
  5. ALL GROUND LEADS MUST BE SOLDERED TO PCB GROUND.
  6. CLASSIFIED AS MOISTURE SENSITIVITY LEVEL (MSL) 1.

**Package Information**

| Part Number | Package Body Material                              | Lead Finish   | MSL Rating | Package Marking [3] |
|-------------|--|---------------|------------|---------------------|
| HMC677LP5   | Low Stress Injection Molded Plastic                | Sn/Pb Solder  | MSL1 [1]   | H677<br>XXXX        |
| HMC677LP5E  | RoHS-compliant Low Stress Injection Molded Plastic | 100% matte Sn | MSL1 [2]   | H677<br>XXXX        |

[1] Max peak reflow temperature of 235 °C

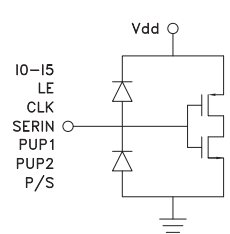
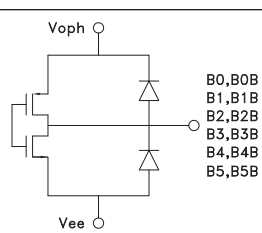
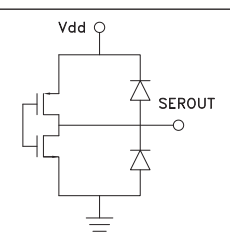
[2] Max peak reflow temperature of 260 °C

[3] 4-Digit lot number XXXX

For price, delivery, and to place orders, please contact Hittite Microwave Corporation:  
20 Alpha Road, Chelmsford, MA 01824 Phone: 978-250-3343 Fax: 978-250-3373  
Order On-line at [www.hittite.com](http://www.hittite.com)

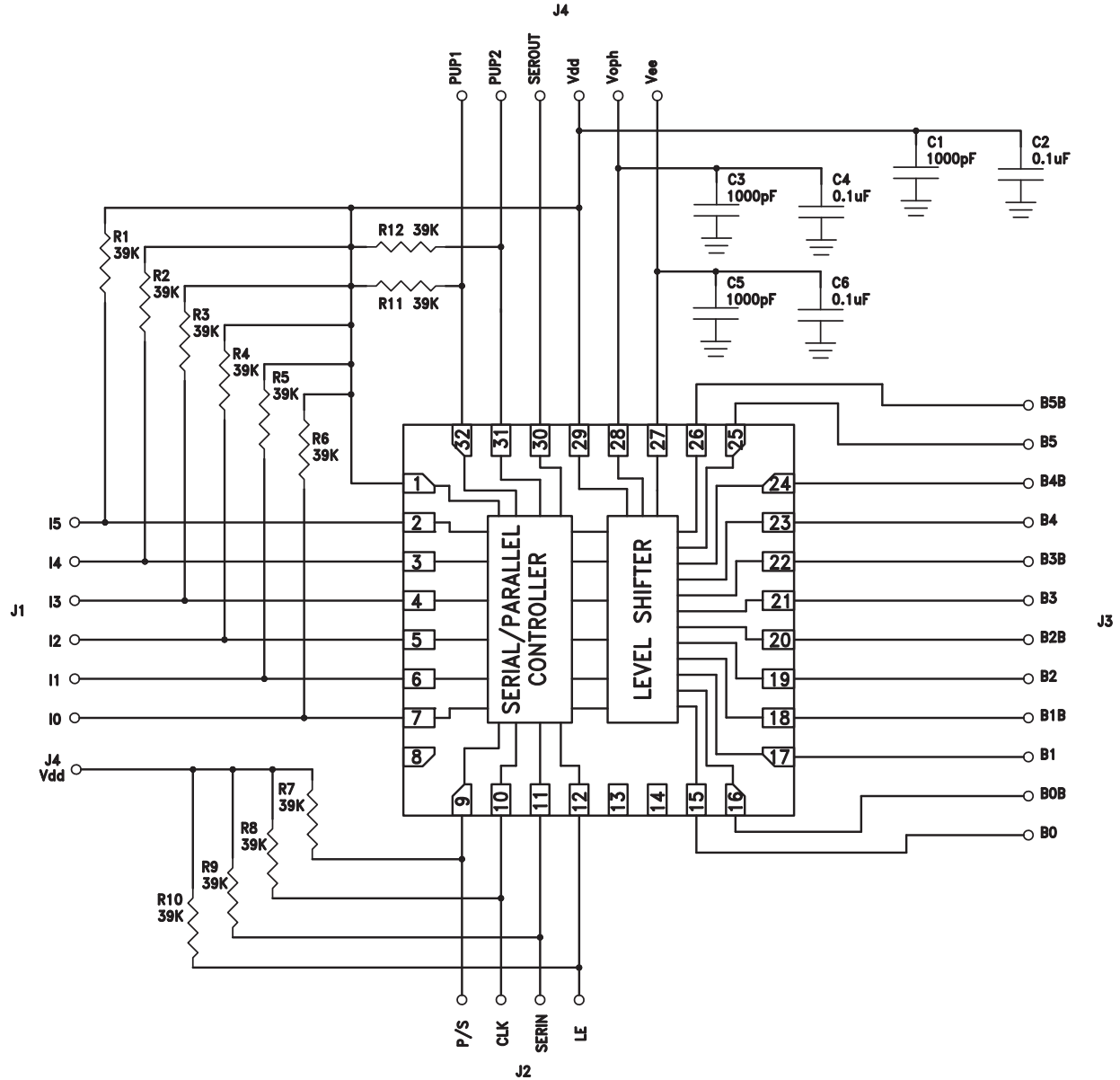
**6-Bit SERIAL/PARALLEL SWITCH  
DRIVER/CONTROLLER**

**Pin Descriptions**

| Pin Number             | Function   | Description  | Interface Schematic   |
|------------------------|------------|--|---|
| 1, 29                  | Vdd1, Vdd2 | Supply Voltage   |   |
| 2 - 7                  | I0 - I5    | See Truth Table, Control Voltage Table and Timing Diagram          |    |
| 9                      | P/S        |  |   |
| 10                     | CLK        |  |   |
| 11                     | SERIN      |  |   |
| 12                     | LE         |  |   |
| 31, 32                 | PUP2, PUP1 |  |   |
| 8, 13, 14              | N/C        | No connection necessary. These pins may be connected to DC ground. |   |
| 15, 17, 19, 21, 23, 25 | B0 - B5    | Complementary Outputs  |   |
| 16, 18, 20, 22, 24, 26 | B0B - B5B  |  |   |
| 27                     | Vee        | Negative Supply.   |   |
| 28                     | VOPH       | User selectable output high voltage 0 to +2.2V                     |   |
| 30                     | SEROUT     | Serial input data delayed by six clock cycles.                     |  |

**6-Bit SERIAL/PARALLEL SWITCH DRIVER/CONTROLLER**

**Application & Evaluation PCB Schematic**

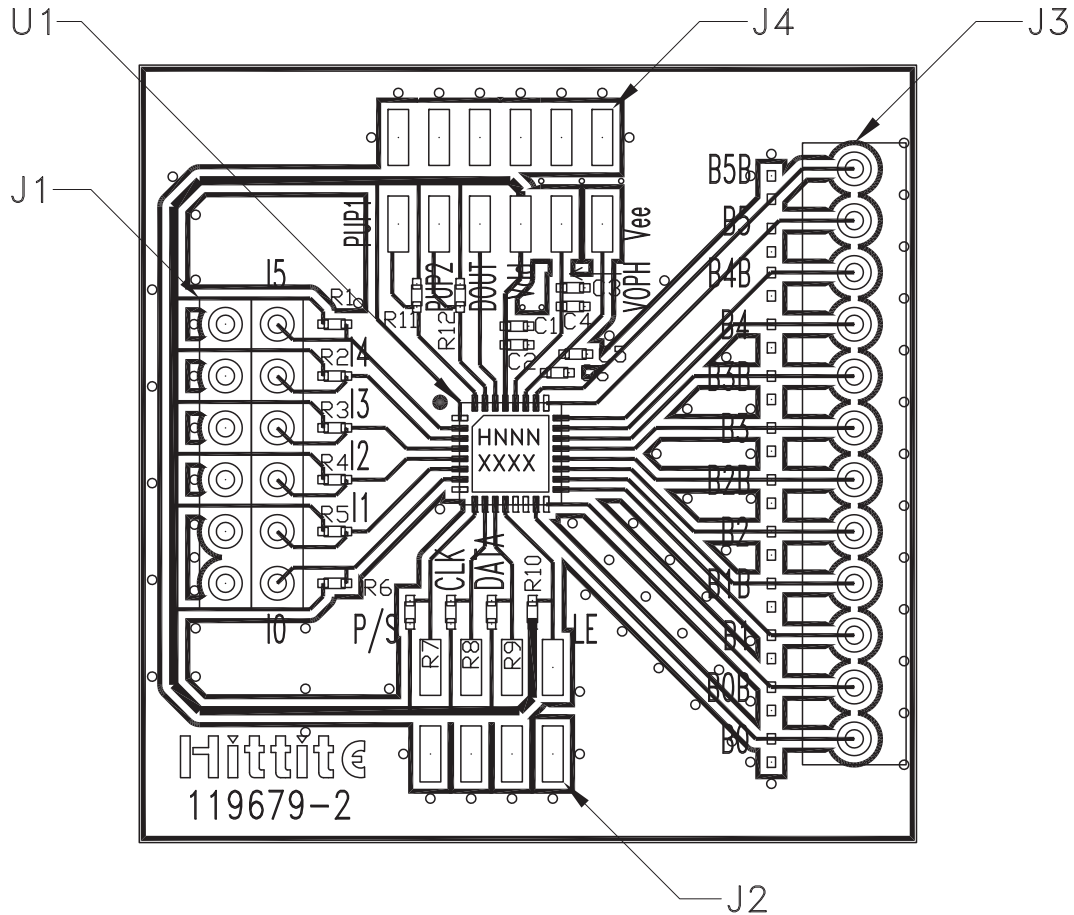


∞

INTERFACE - SMT

**6-Bit SERIAL/PARALLEL SWITCH  
DRIVER/CONTROLLER**

**Evaluation PCB**



**List of Materials for Evaluation PCB 119681 [1][3]**

| Item       | Description                              |
|------------|--|
| C1, C3, C5 | 1000 pF Capacitor, 0402 Pkg.             |
| C2, C4, C6 | 0.1 μF Capacitor, 0402 Pkg.              |
| J1 - J4    | Multi Pin DC Connector                   |
| R1 - R12   | 39kΩ Resistor, 0402 Pkg.                 |
| U1         | HMC677LP5(E) 6-Bit Digital Level Shifter |
| PCB [2]    | 119679 Evaluation PCB                    |

The evaluation circuit board shown is available from Hittite upon request.

[1] Reference this number when ordering complete evaluation PCB

[2] Circuit Board Material: FR4

[3] Please refer to part's pin description and functional diagram for pin out assignments on evaluation board.