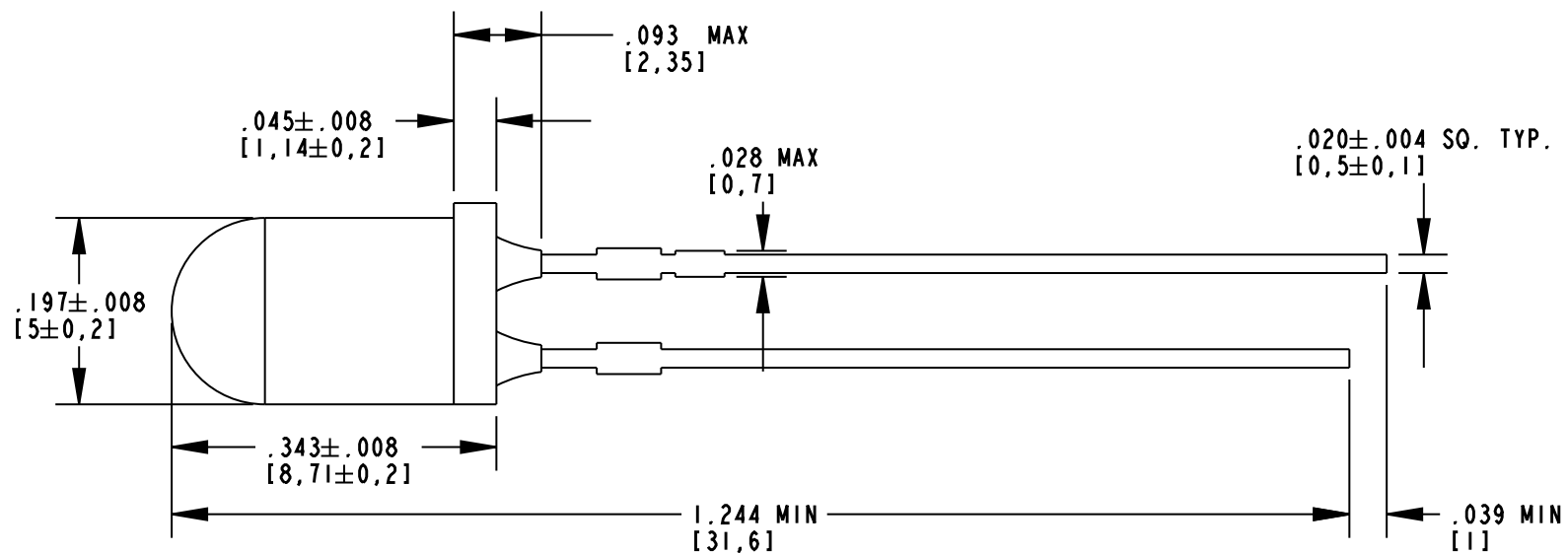


OPERATING CHARACTERISTICS AT 25°C AMBIENT					
LED CHARACTERISTICS	MIN	TYP	MAX	UNITS	TEST CONDITIONS
LUMINOUS INTENSITY	3200	—	5500	mc d	$I_f = 20$ mA
FORWARD VOLTAGE	—	2.2	—	V	$I_f = 20$ mA
DOMINANT WAVELENGTH	587	—	592	nm	$I_f = 20$ mA
PEAK WAVELENGTH	—	590	—	nm	$I_f = 20$ mA
REVERSE VOLTAGE	5	—	—	V	$I_R = 100$ $\mu$ A
VIEWING ANGLE (2 $\theta$ 1/2)	—	30	—	DEGREE	

ABSOLUTE MAXIMUM RATINGS AT 25°C AMBIENT	VALUE	UNITS
DC FORWARD CURRENT	50	mA
PEAK FORWARD CURRENT	100	mA
AVERAGE FORWARD CURRENT	30	mA
REVERSE VOLTAGE ( $I_R = 100$ $\mu$ A)	5	V
DERATE LINEARLY FROM 55°C	0.67	mA/°C
OPERATING TEMPERATURE	-40 TO +100	°C
STORAGE TEMPERATURE	-40 TO +120	°C
WAVE SOLDERING TEMPERATURE, 3 SEC, 1/16" BELOW BODY	250	°C
SOLDER DIPPING TEMPERATURE, 5 SEC, 1/16" BELOW BODY	260	°C



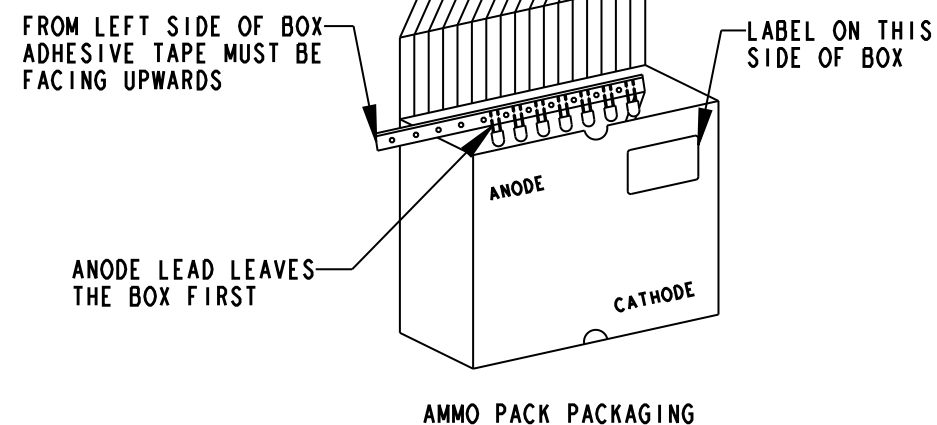
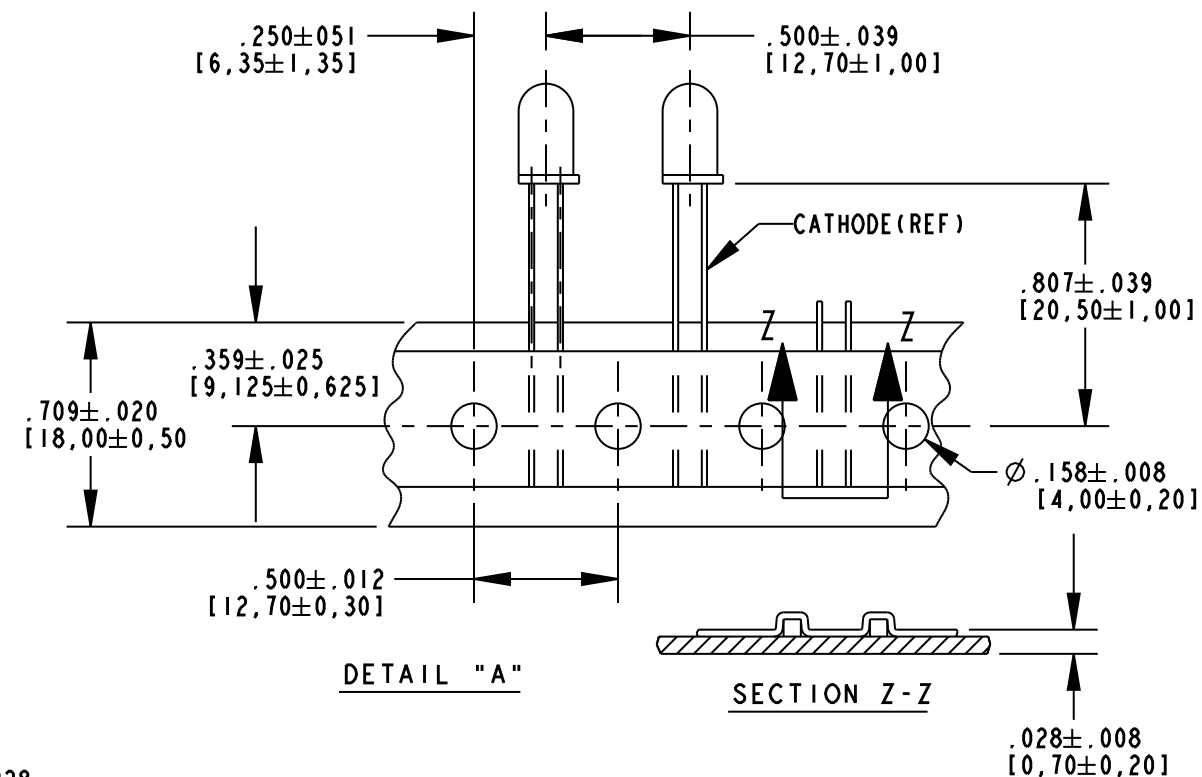
NOTES:

- EPOXY COLOR: CLEAR NON-DIFFUSED.
- DIE: TS AlInGaP, AMBER.
- LEADS: TIN (Sn), SILVER (Ag), COPPER (Cu) PLATING ON MILD STEEL.
- SOLDER ADHERANCE: BOTH LEADS PER MIL. STD. 202E, METHOD 208C, EXCEPT STEAM AGING.
- LEAD SPACING MEASURED NEAR EPOXY PACKAGE.
- LEDS TO BE PACKAGED IN AMMO PACK AS SHOWN ON DRAWING (2000 PCS/BOX).
- INTENSITY BIN TOLERANCE IS  $\pm 15\%$ .
- COLOR BIN TOLERANCE IS  $\pm 0.5$  nm.
- DIALIGHT PART NUMBER: 521-8089F

**RoHS Compliant 521-8089F**

Part Numbers with the "F" suffix ending are RoHS Compliant. Reel and bag packaging are marked with "RoHS Compliant" label or equivalent markings. Parts can be wave soldered, dip soldered or hand soldered using typical lead-free soldering process with max 260°C temp. for 5 sec.

REV	ECN NO	REVISIONS	DRN	CKD	APP	DATE
A		NEW RELEASE	KLJ			



THIS DRAWING AND THE CONTENTS HEREIN ARE CONFIDENTIAL AND THE SOLE PROPERTY OF DIALIGHT. REPRODUCTION OF THIS DRAWING OR CONSTRUCTION OF ANY PARTS WITHIN THIS DRAWING ARE FORBIDDEN WITHOUT THE WRITTEN CONSENT OF DIALIGHT.

SCALE: 5.000	DRAWING NUMBER	REV
ALL DIM'S IN: INCHES (MM)	C-17573	A
TOLERANCES: UNLESS OTHERWISE SPECIFIED	TITLE	
FRACTIONS: $\pm 1/64$	5mm AMBER LED (RoHS COMPLIANT)	
DECIMALS (.XX): $\pm .01$	MATERIAL	
DECIMALS (.XXX): $\pm .005$		
DECIMALS (.XXXX): $\pm .0005$		
ANGLES: $\pm 1^\circ$		
FINISH:		
FSCM 83330	Dialight 1501 ROUTE 34 SOUTH FARMINGDALE, NJ 07727	
	SHEET 1 OF 1	FAMILY TABLE: