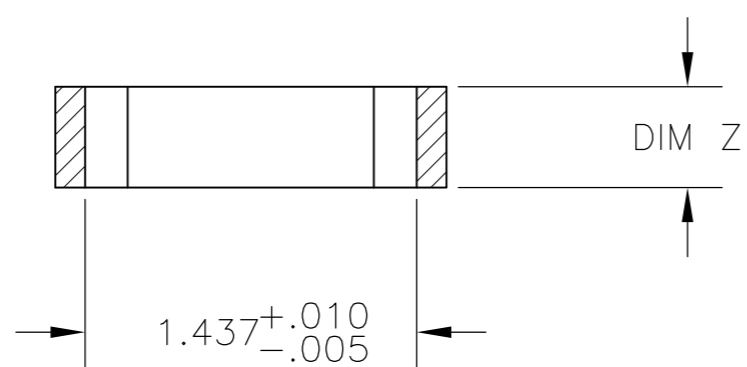
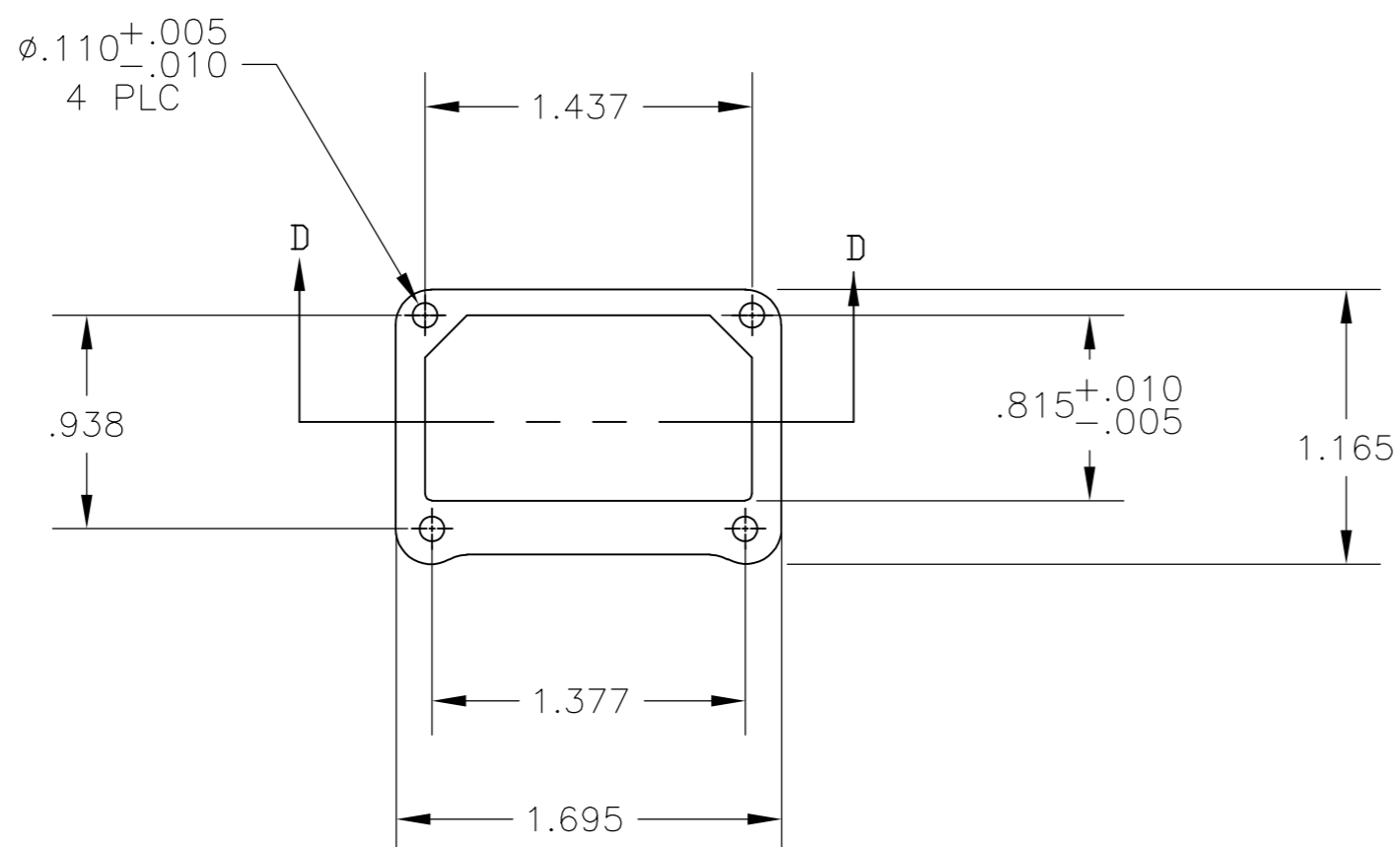


THIS DRAWING IS UNPUBLISHED. RELEASED FOR PUBLICATION
 © COPYRIGHT BY TYCO ELECTRONICS CORPORATION. ALL RIGHTS RESERVED.

LOC	DIST	REVISIONS			
P	LTR	DESCRIPTION	DATE	DWN	APVD
DF	X5				
	D	REV PER ECO-07-030671	21JAN08	PY	DE



SECTION D-D

- 1 MAT'L: ALUMINUM ALLOY
- 2 FINISH: BLUE ANODIZE
- 3 FINISH: ELECTROLESS NICKEL
- 4 FINISH: ELECTROLESS NICKEL
- 5 ELECTROLESS NICKEL DOES NOT CONTAIN INTENTIONAL ADDITIONS OF LEAD AND CADMIUM PER DFE STANDARD 230-700.

.437	4 5	1	5-205339-7
.218	3	1	205339-8
.437	3	1	205339-7
.218	2	1	205339-4
.437	2	1	205339-2
DIM Z	FINISH	MATERIAL	PART NO.

DIMENSIONS:		TOLERANCES UNLESS OTHERWISE SPECIFIED:		DWN		Tyco Electronics		Tyco Electronics Corporation	
INCHES		0 PLC	± -	B. LATTUCA		Harrisburg, PA 17105-3608		Harrisburg, PA 17105-3608	
		1 PLC	± -	CHK		J. MARKEY		NAME	
		2 PLC	± -	APVD		J. MARKEY		PRODUCT SPEC	
		3 PLC	± .010	PRODUCT SPEC		-		APPLICATION SPEC	
		4 PLC	± -	APPLICATION SPEC		-		-	
		ANGLES	± -	WEIGHT		-		-	
MATERIAL		FINISH		SIZE		CAGE CODE		DRAWING NO	
ALUMINUM ALLOY		BLUE EPOXY		A2		00779		C-205339	
CUSTOMER DRAWING		SCALE		SHEET		REV		RESTRICTED TO	
		1:1		1 of 1		D		-	