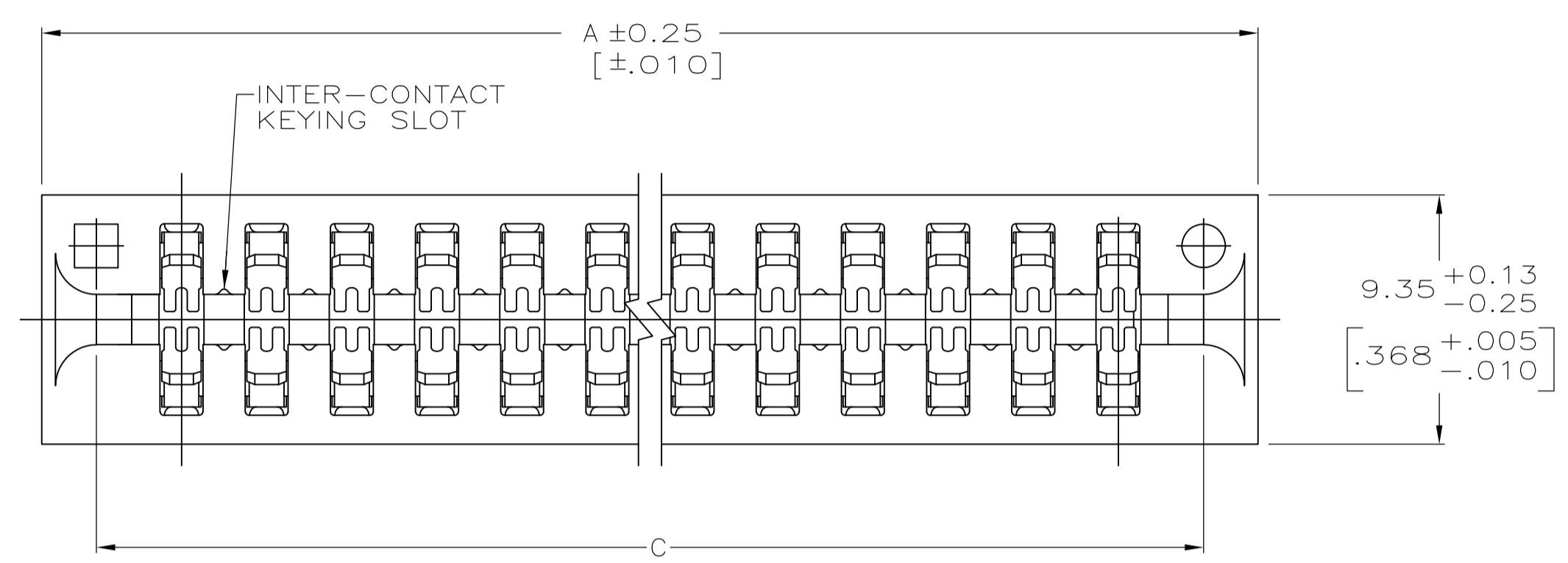
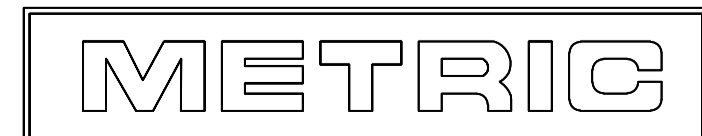
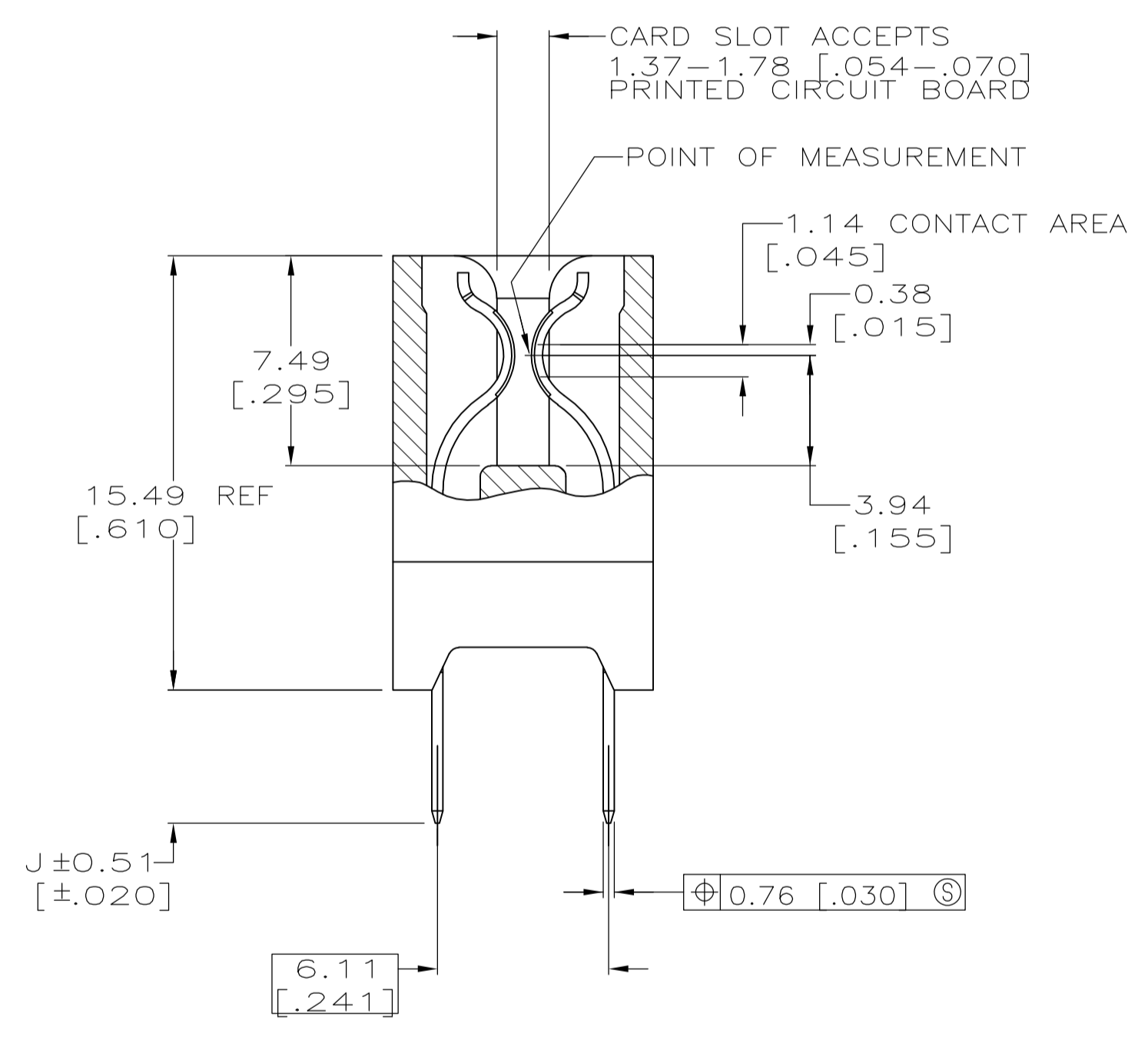
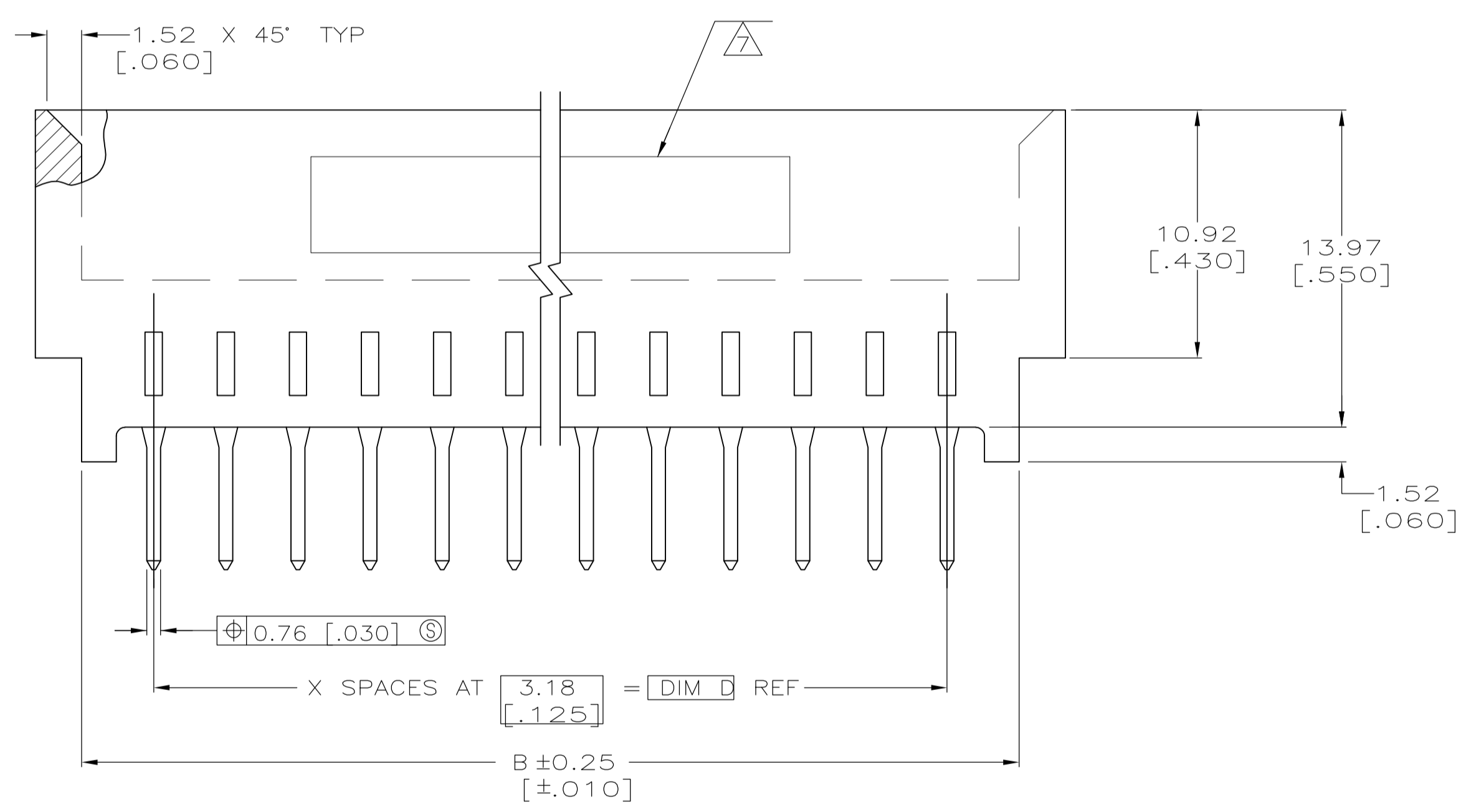


THIS DRAWING IS UNPUBLISHED. RELEASED FOR PUBLICATION
 © COPYRIGHT - By - ALL RIGHTS RESERVED.

REVISIONS				
P	LR	DESCRIPTION	DATE	APVD
Z		REVISED PER ECO-16-016569	23JAN2017	SY SY



- ① HOUSING: GLASS FILLED POLYESTER; COLOR: BLACK.
- ② CONTACT: PHOSPHOR BRONZE.
- ③ NICKEL UNDERPLATE: 0.00127 [.000050] MIN - ALL OVER.
- ④ TIN-LEAD PLATE: 0.00254 [.000100] MIN - SOLDER POSTS.
- ⑤ GOLD PLATE: 0.00076 [.000030] MIN - CONTACT AREA.
- ⑥ NICKEL PLATE PER MIL-G-45204. GOLD PLATE PER QQ-N-290.
- ⑦ PART NUMBER AND DATE CODE ARE MARKED IN APPROXIMATE AREA SHOWN, EITHER SIDE.
- ⑧ RECOMMENDED PCB FINISHED HOLE DIA: 1.02 ± 0.08 [.040 \pm .003].
- ⑨ OBSOLETE PARTS: OBSOLETE CIS STREAMLINING PER D.RENAUD/D.SINISI



THIS DRAWING IS A CONTROLLED DOCUMENT.		DWN R.SHIREY/UTA 11/9/91	STE TE Connectivity	
DIMENSIONS: MM(INCHES)		CHK J.DIORAZIO 8-10-92	NAME CONNECTOR ASSEMBLY, STANDARD EDGE II, 3.18 [.125] $\text{\textcircled{C}}$	
TOLERANCES UNLESS OTHERWISE SPECIFIED:		APVD J.DIORAZIO 8-10-92	PRODUCT SPEC 108-9039	
0 PLC \pm -		APPLICATION SPEC		
1 PLC \pm -		WEIGHT 0		
2 PLC \pm -		SIZE A1		
3 PLC ± 0.13 [.005]		CAGE CODE 00779		
4 PLC \pm -		DRAWING NO 530844		
ANGLES \pm -		RESTRICTED TO		
MATERIAL	HOUSING: ①	CONTACT: ② ③ ④ ⑤ ⑥	CUSTOMER DRAWING	
SCALE 5:1		SHEET 1 OF 2		REV Z

