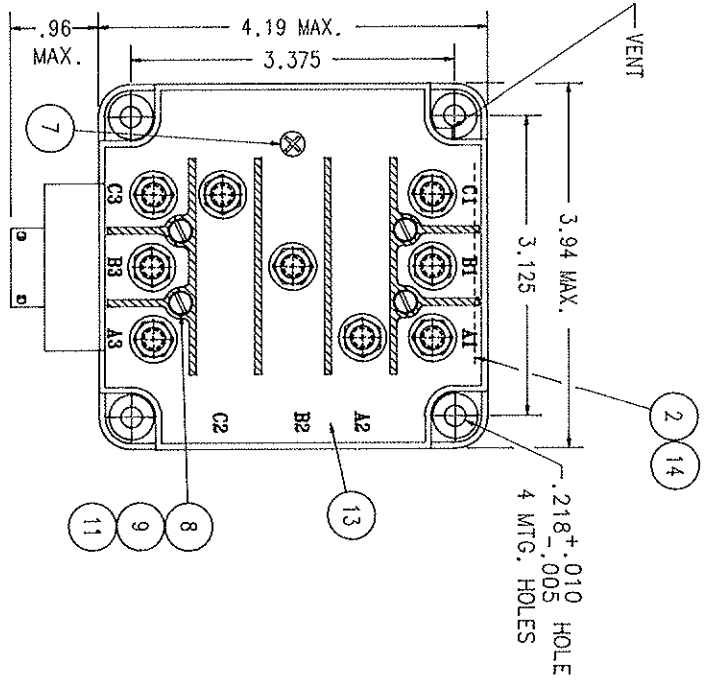


| REV. | DESCRIPTION | DATE | APPROVED |
|------|--------------------------------------------------|----------|----------|
| G | 23455 ITEM 13 WAS -52516-0077 ADD CONNECTOR REF. | 93/04/27 | WS |
| H | 33420 FIND NOS 14 & 15 ADDED | 97/08/04 | WS |

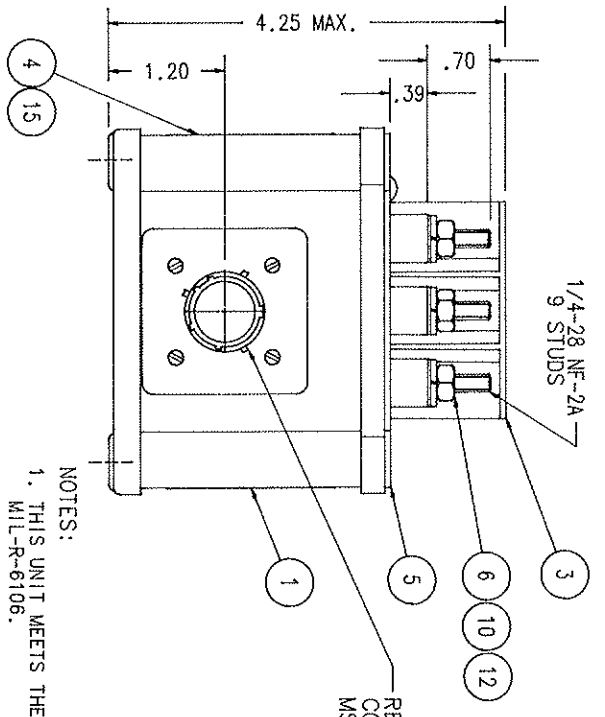


CONSTRUCTION
MAIN CONTACTS
CONFIGURATION
VOLTAGE
CURRENT
RES:
IND:
INTERR:
AUXILIARY CONTACTS
CONFIGURATION
VOLTAGE
CURRENT
RES:
IND:
LAMP:

COIL DATA
DUTY CYCLE
OPER. COIL VOL.T.
PICKUP MINIMUM
DROPOUT VOLTAGE
LIFE ELECTRICAL
MECHANICAL

ENVIRONMENTAL DATA
OPERATING TEMP.
VIBRATION
TRANSFER TIME

SHOCK
ACCELERATION
ALTITUDE
MAX. WEIGHT



NOTES:
1. THIS UNIT MEETS THE APPLICABLE PORTIONS OF MIL-R-6106.
2. MECH. INTERLOCK PREVENTS SIMULTANEOUS CLOSING OF BOTH SETS OF CONTACTS.
3. *DANGER HIGH VOLTAGE* TO BE STAMPED ON TERMINAL SHIELD.
4. ALL UNITS AFTER SERIAL NO. C-3-54900 SHALL HAVE THE LETTER 'A' AT THE END OF THE SERIAL NO.

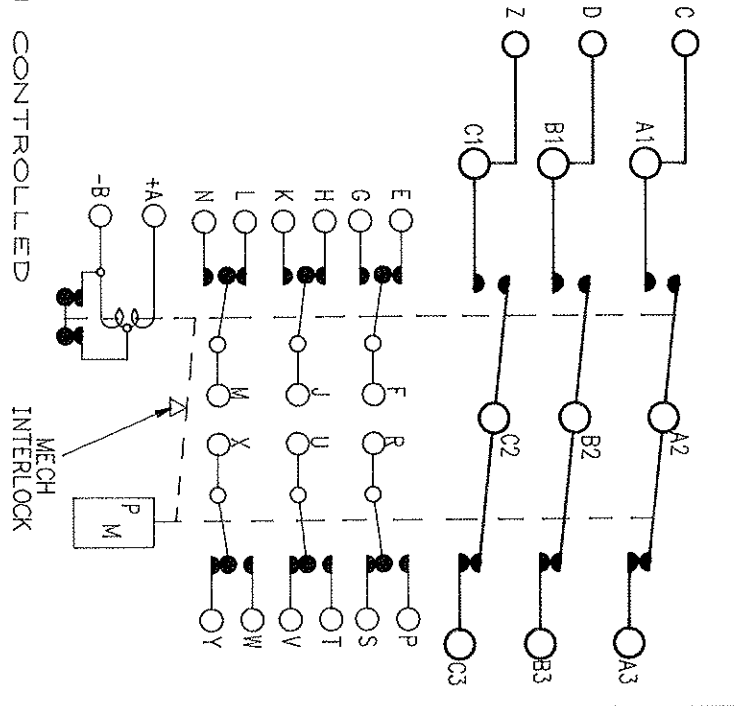
GASKET SEALED AND VENTED
3 PDT SIDE STABLE
115/200 VOL.TS FREQ. 400 HZ
120 AMP
840 AMP
6 PDT
28 VDC OR 115V 400 HZ
5 AMP
3 AMP
2 AMP

CONTINUOUS (ECONOMIZING)
28 VDC NOMINAL 30 VDC MAX.
18 VDC AT 71° C
7 VDC TO 1 VDC
50,000 CYCLES MIN.
100,000 CYCLES MIN.

-55° C TO 71° MAX.
PER RANGE CURVE
OF SPEC. ADZS205
15 MS MAX. AT 25.8 VDC

25 G'S FOR 6 TO 9 MSEC.
10 G'S MAX.
50,000 FEET MAX.
3 LBS. 3 OZ.

CONFIGURATION CONTROLLED



| NO | QTY | PART OR IDENTIFYING NO | NOMENCLATURE OR DESCRIPTION | FSM NO | DRAWING OR SPECIFICATION | MATERIAL OR NOTE |
|----|-----|------------------------|----------------------------------|--------|--------------------------|------------------|
| 15 | 1 | 39529-023 | OVERLAY-WIRING DIAGRAM | | | |
| 14 | 1 | 39529-001 | OVERLAY-NAME PLATE | | | |
| 13 | 1 | 36180-040 | CONTACTOR ASSEMBLY - PRIMARY | | AN935B416 | BRASS |
| 12 | 9 | 51807-034 | WASHER - LOCK 1/4 SPLIT | | AN935B51 | BRASS |
| 11 | 4 | 51805-011 | WASHER - LOCK NO.5 SPLIT | | AN960B416 | BRASS |
| 10 | 9 | 51703-064 | WASHER - FLAT 1/2 X 11/64 X .032 | | | |
| 9 | 4 | 51701-180 | WASHER - CAPTIVATING | | | |
| 8 | 4 | 51205-391 | SCREW - 5-40 X 1 1/8 RD.HD. | | AN515-18 | STEEL |
| 7 | 1 | 51200-020 | SCREW - NO.4 X 1/4 PAN HD. | | AN345B416 | S.STEEL |
| 6 | 9 | 50407-074 | NUT - 1/4-28 X 3/8 X 3/16 HEX. | | | |
| 5 | 1 | 27136-001 | PLATE - BASE COVER | | | |
| 4 | 1 | 32214-001 | PLATE - WIRING DIAGRAM | | | |
| 3 | 1 | 26427-003 | SHIELD - TERMINAL | | | ZYTEL 51 |
| 2 | 1 | 16043-001 | PLATE - NAME | | | |
| 1 | 1 | 12771-001 | PLATE - WARNING | | | |

| REV. | DESCRIPTION | DATE | APPROVED |
|------|--------------------------------------------------|----------|----------|
| G | 23455 ITEM 13 WAS -52516-0077 ADD CONNECTOR REF. | 93/04/27 | WS |
| H | 33420 FIND NOS 14 & 15 ADDED | 97/08/04 | WS |

| | | |
|-----------|-----|----------|
| DR BY | RLS | 97/08/15 |
| CHK BY | WS | 97/08/15 |
| ENGR | WS | 97/08/15 |
| MFG | WS | 97/08/15 |
| RELEASE | | |
| CONTR NO. | | |
| GOVT APPL | | |

| | | |
|-------|------------|---------|
| SIZE | CODE IDENT | DWG NO. |
| C | 74063 | B-233P |
| SCALE | NONE | SHEET |

HARTMAN ELECTRICAL MANUFACTURING
MANSFIELD, OHIO

CONTACTOR 3PDT, SIDE STABLE
120 AMP, 115/200V, 400 HZ

093